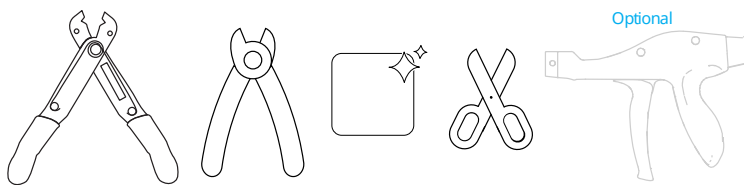


NOVUX™ Fiber Optic System NVX-CR-DU-SL-NN: Cable retention: Mini dual cable

1 Cable diameter range

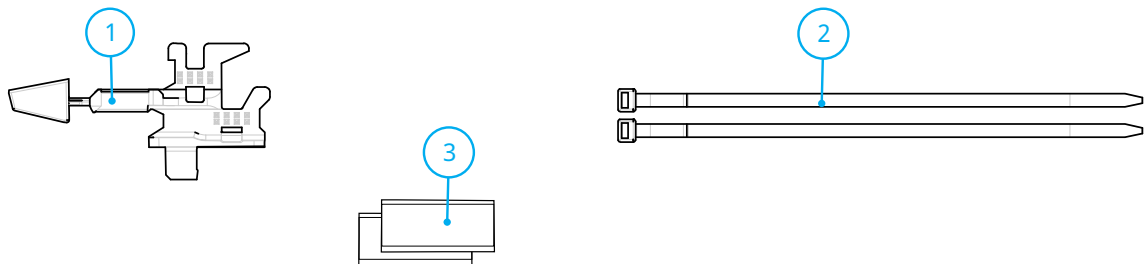
	mm	Inches
Round cable	≤ 6,2	≤ 0.25

2 Tools



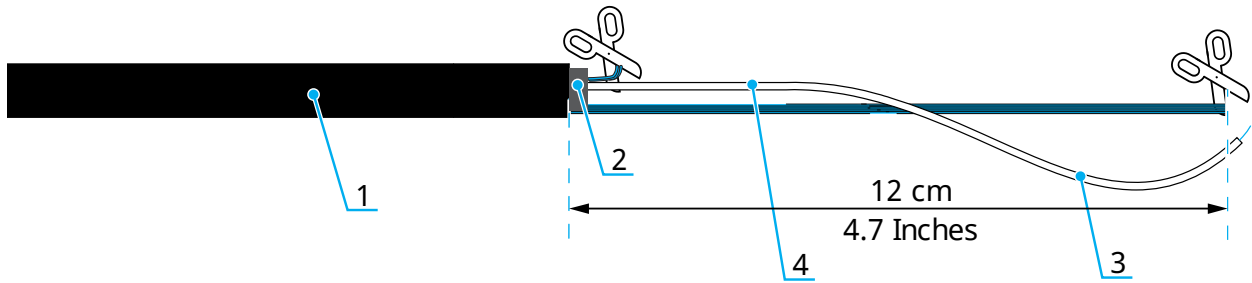
- Cable stripping and cleaning tools
- Scissors
- Cable Tie Gun (optional)

3 Kit contents



N°	Description	Qty
1	Carrier	1
2	Cable ties	2
3	Silicone tape 1,25 cm / 0.5 Inches width	2

4 Prepare two drop cables

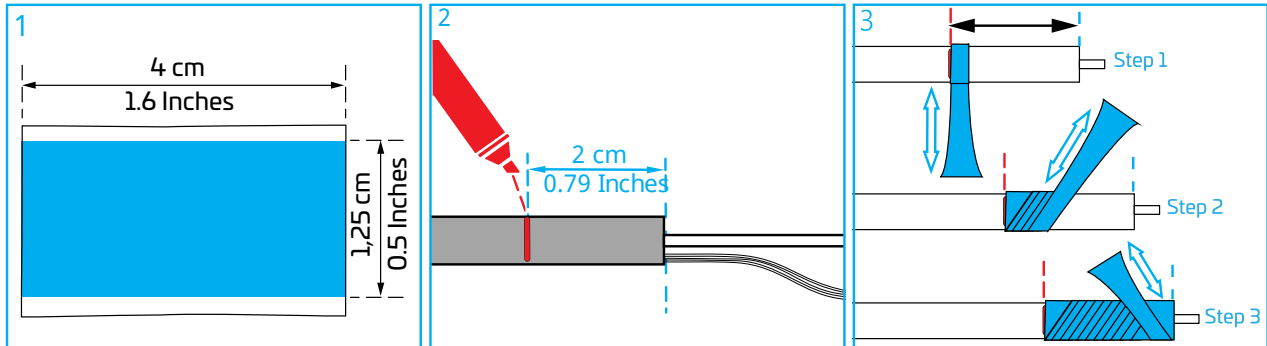


N.°	Description	Preparation
1	Jacket	<p>⚠ Attention: The distance of the jacket that should be removed is depending on the closure where the cable retention is installed. Distances below are valid for cable stubs:</p> <ul style="list-style-type: none"> • CC 40: 81 ±5 cm / 32 ±2 Inches
2	Dual jacket (if present)	Make the dual jacket as small as possible; keep a maximum length of 1,2 cm / 0.47 Inches. Remove the aramid yarn inside this second jacket.
3	Aramid yarn	Cut the aramid yarn to length to 12 ±1cm / 4.7 ±0.39 Inches. Limit the amount of aramid yarn.
4	Subunits	<p>Clean the subunits, remove all grease. The subunit jacket should be removed to access the fiber.</p> <p>⚠ Attention: Stripping point of the subunit jacket is provided in the closure installation instructions.</p>
5	Rigid strength member (if present)	Remove the rigid strength member.

5 Apply silicone tape to the drop cables

5.1 Prepare drop cables with aramid yarn

This method is only for cases where aramid yarn is present in the cable. If no aramid yarn is present see section Prepare drop cables without aramid yarn [on page 3](#)



1 Use the strip silicone tape provided in the kit: 4 X 1,25 cm / 1.6 X 0.5 Inches.

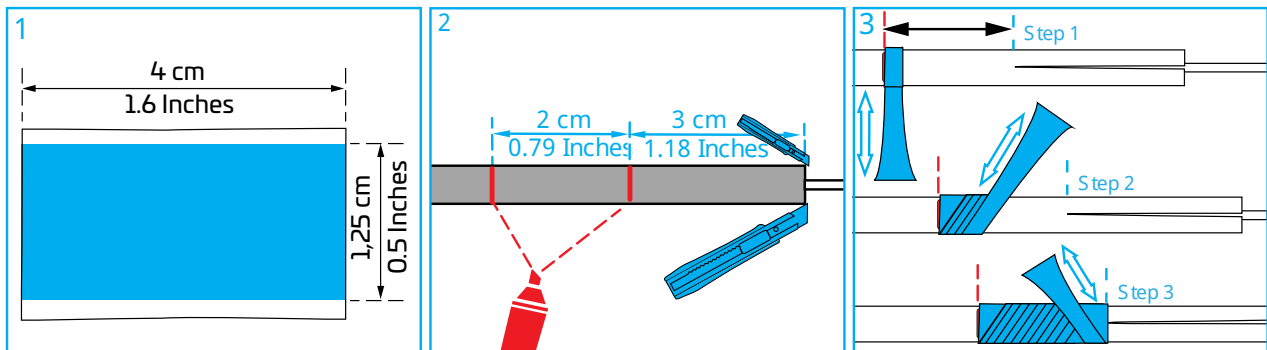
⚠ Attention: Make sure your hands are clean and degreased before preparing and installing the cables. Degrease the cables where the cable will enter the closure.

2 Make a mark 2 cm / 0.79 Inches from the end of the cable jacket.

3 Apply the strip of silicone tape between the mark and the jacket end. Remove the protective paper from the silicone strip. Stretch the tape minimum 50% while wrapping the tape around the cable. First apply a full turn around the cable, then continue to cover up to the jacket end. Make one turn at the end point and come back with the remaining tape.

5.2 Prepare drop cables without aramid yarn

This method is for cases where no aramid yarn is present in the cable.



1 Use the strip silicone tape provided in the kit: 4 X 1,25 cm / 1.6 X 0.5 Inches.

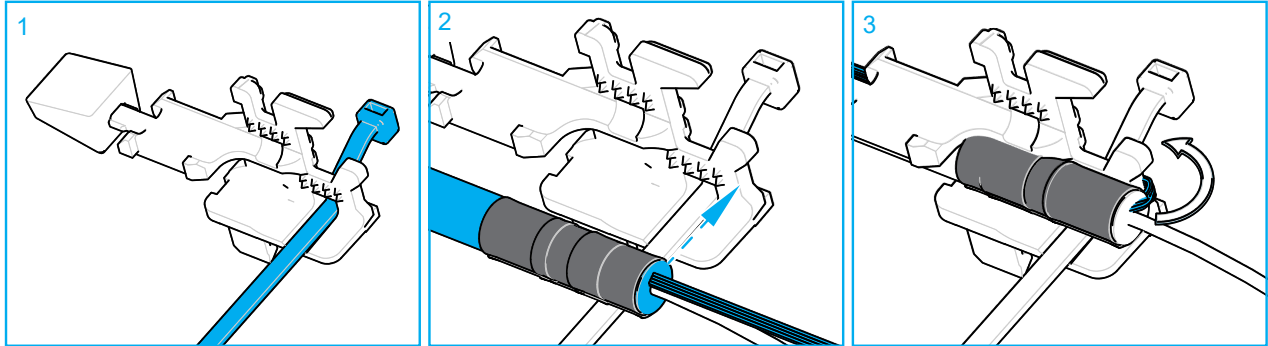
⚠ Attention: Make sure your hands are clean and degreased before preparing and installing the cables. Degrease the cables where the cable will enter the closure.

2 Make a mark 3 cm / 1.18 Inches and 5 cm / 2 inches from the end of the cable jacket. Make 2 slits on opposite sides of each other from the end of the cable jacket to the first mark (3 cm / 1.18 Inches).

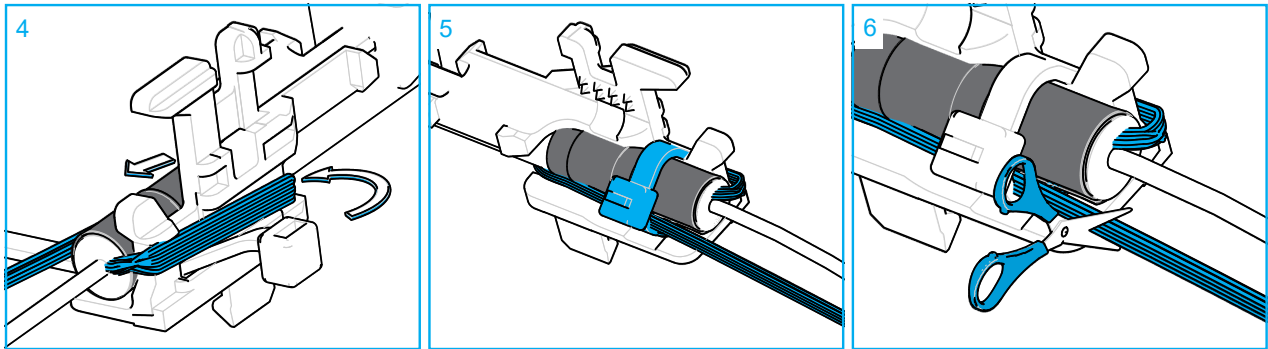
3 Apply the strip of silicone tape between the 2 marks. Remove the protective paper from the silicone strip. Stretch the tape minimum 50% while wrapping the tape around the cable. First apply a full turn around the cable, then continue to cover up to the second mark. Make one turn at the end point and come back with the remaining tape.

6 Cable installation

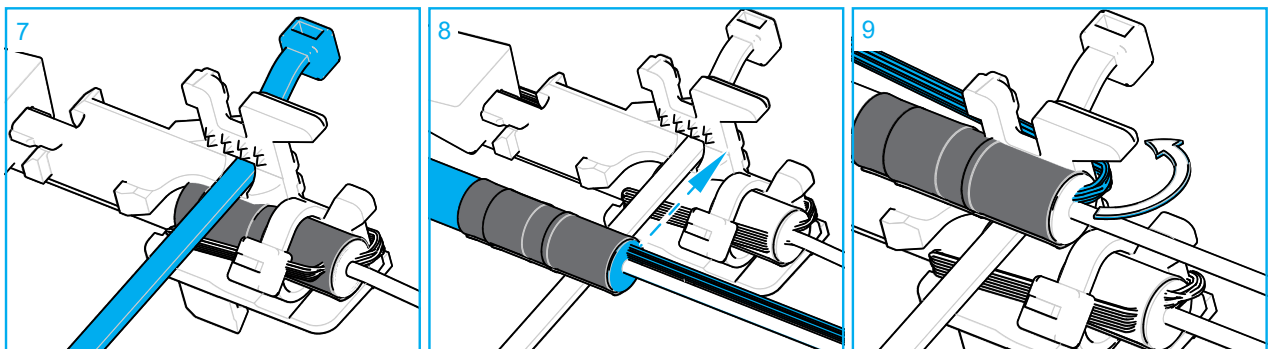
6.1 Install cables with aramid yarn on the carrier



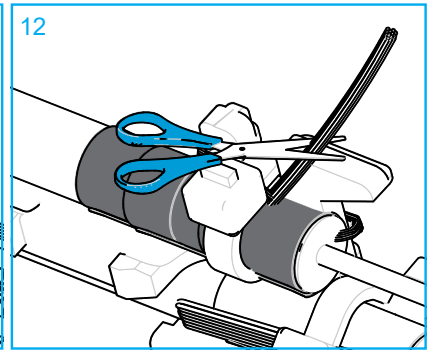
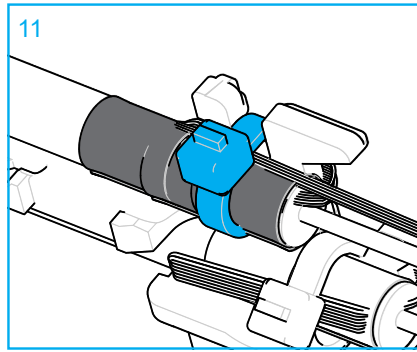
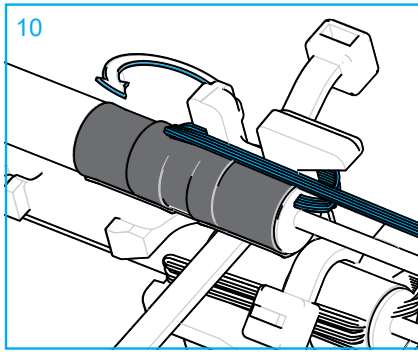
- 1 Install a cable tie in the slot in the carrier at the bottom position. Make sure the head is oriented correctly.
- 2 Position the first cable on the bottom position of the carrier with the sheath opening aligned with the carrier.
- 3 Guide the aramid yarn under the hook to the left side.



- 4 Guide the aramid yarn along the left side to the end, turn the aramid yarn under the hook to the right side of the cable.
- 5 Make sure the aramid yarn is positioned between carrier and cable. Secure the cable tie with the aramid yarn caught between cable and cable tie. Make sure to put the aramid yarn under tension during this operation.
- 6 Cut off excess aramid yarn and cable tie straps.

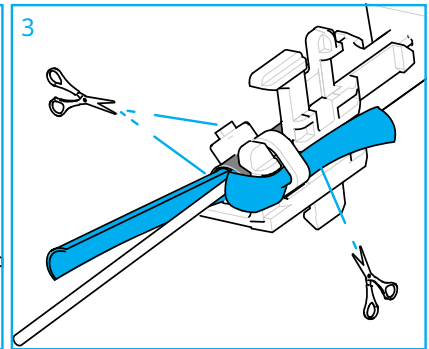
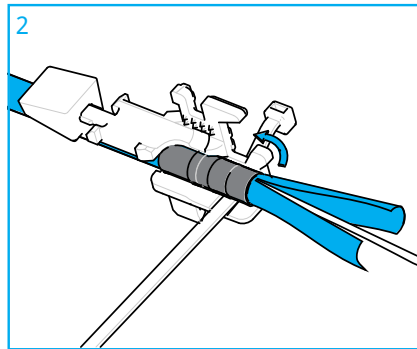
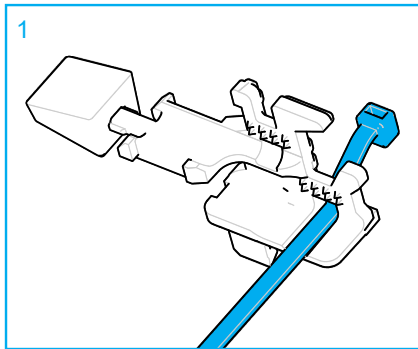


- 7 Install a cable tie in the slot in the carrier at the top position. Make sure the heads are oriented correctly.
- 8 Position the second cable on the top position of the carrier with the sheath opening aligned with the straight section under the top hook.
- 9 Guide the aramid yarn under the hook to the left side.

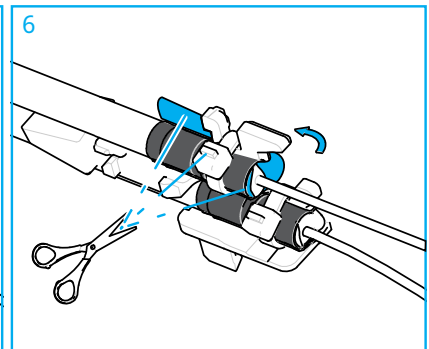
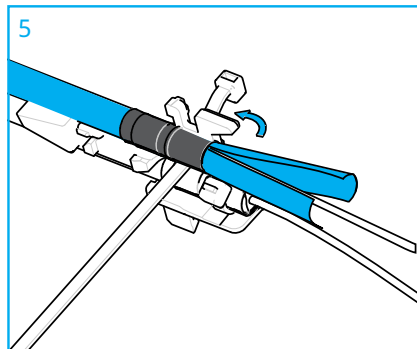
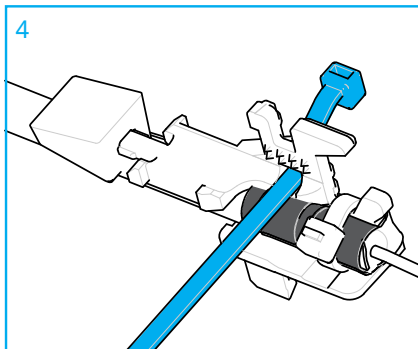


- 10 Guide the aramid yarn along the left side to the end, turn the aramid yarn under the hook to the right side of the hook.
- 11 Secure the cable tie with the aramid yarn caught between cable and cable tie. Make sure to put the aramid yarn under tension during this operation.
- 12 Cut off excess aramid yarn and cable tie straps.

6.2 Install cables without aramid yarn on the carrier



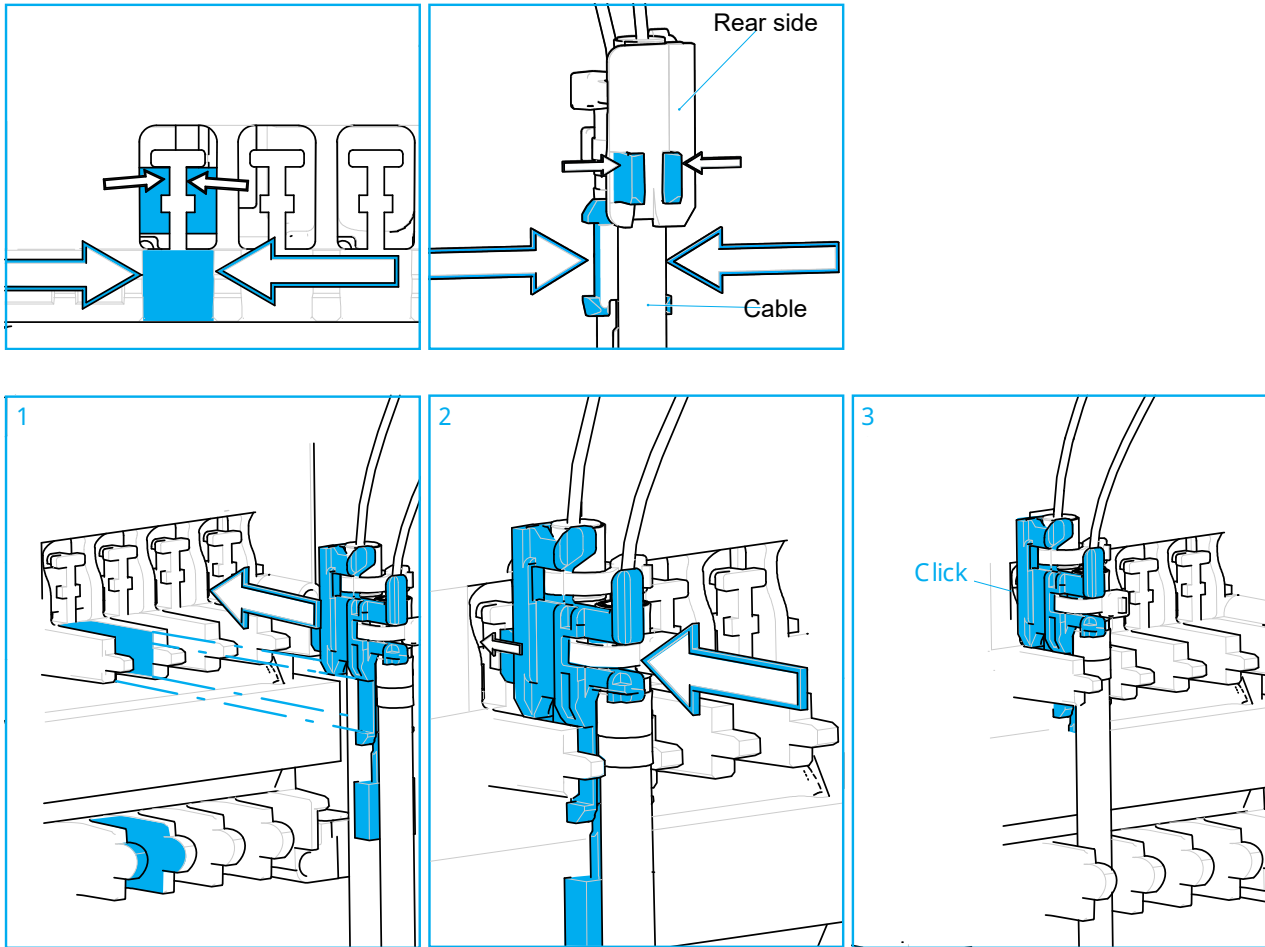
- 1 Install a cable tie in the slot in the carrier at the bottom position. Make sure the head is oriented correctly.
- 2 Position the first cable on the bottom position of the carrier with the silicone tape aligned with the carrier. Wrap 1 side of the cable jacket around the cable attachment.
- 3 Secure with the cable tie. Ensure that the head of the cable tie is correctly oriented. Cut off the cable tie strap and excess cable jacket on both sides.



- 4 Install a cable tie in the slot in the carrier at the top position. Make sure the heads are oriented correctly.
- 5 Position the second cable on the top position of the carrier with the silicone tape aligned with the straight section under the top hook. Wrap 1 side of the cable jacket around the cable attachment.
- 6 Secure with the cable tie. Ensure that the head of the cable tie is correctly oriented. Cut off the cable tie strap and excess cable jacket on both sides.

7 Install carrier

To secure the cable to the organizer, the two hooks on the rear side of the carrier should slide into the t-shape slot of the organizer.



- 1 Align the carrier (with the cable secured) with the upper drop port of the organizer. The carrier has a recess on the sides so that it fits into the drop port. Slide the carrier in the upper drop port.
- 2 Push the carrier so that the hooks on the rear slide over the t-shape.
- 3 A clicking sound is observed.