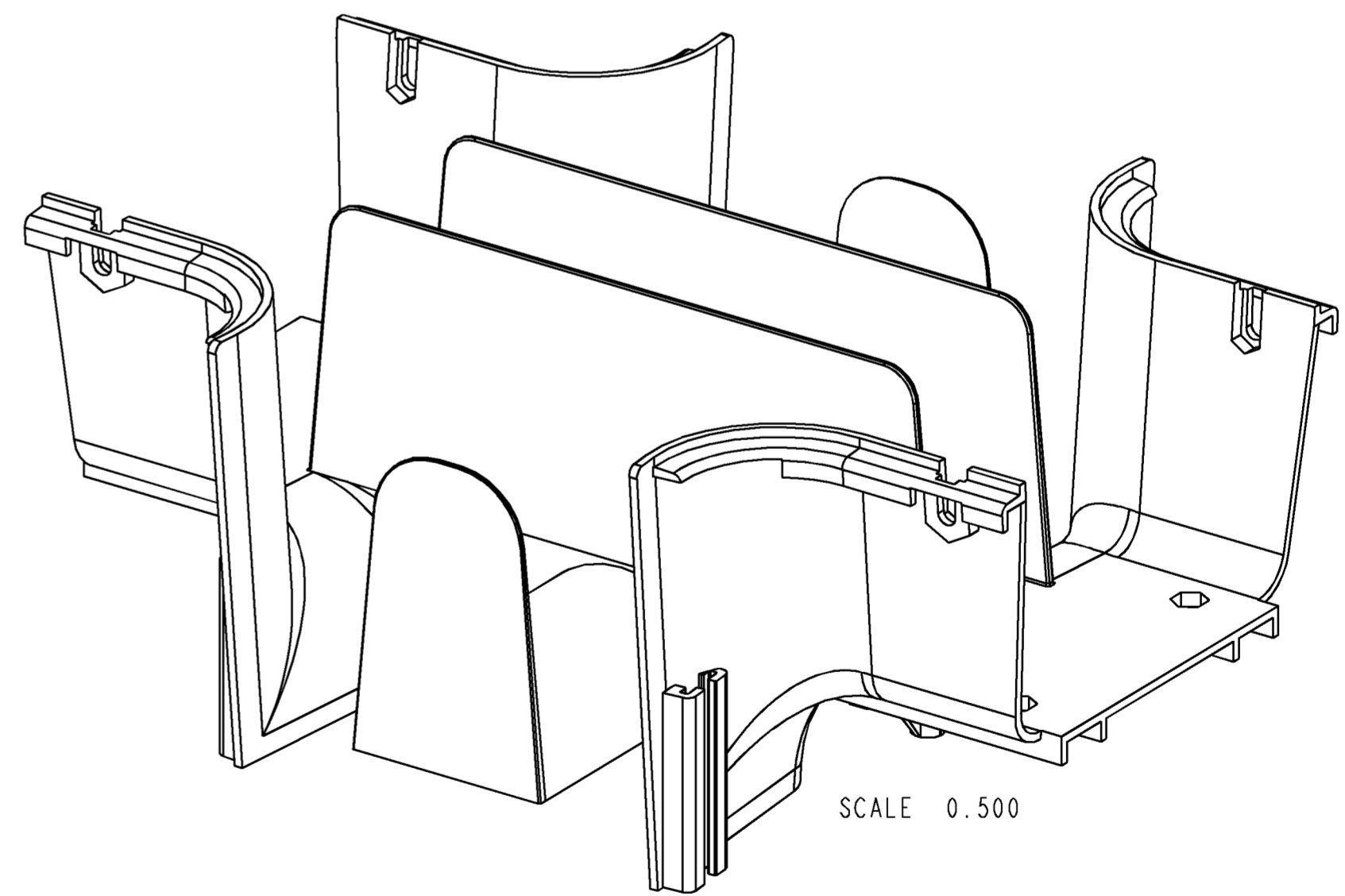
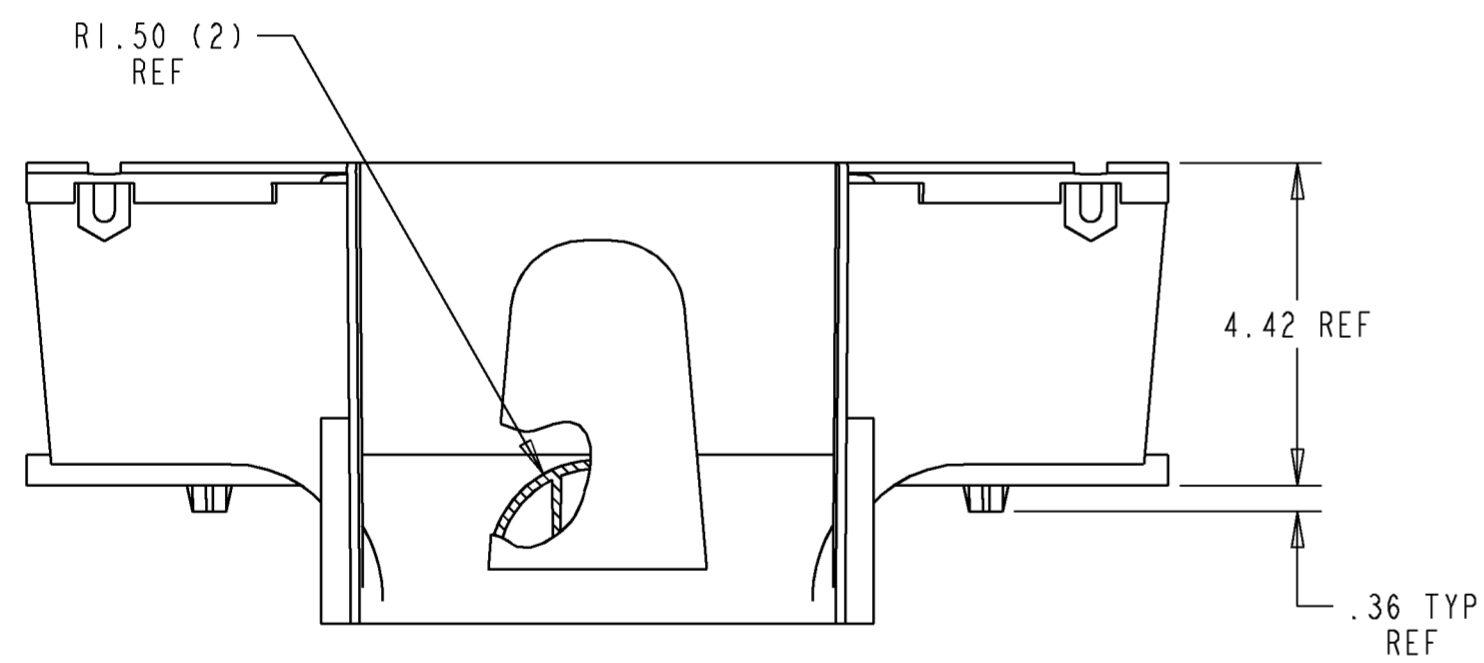
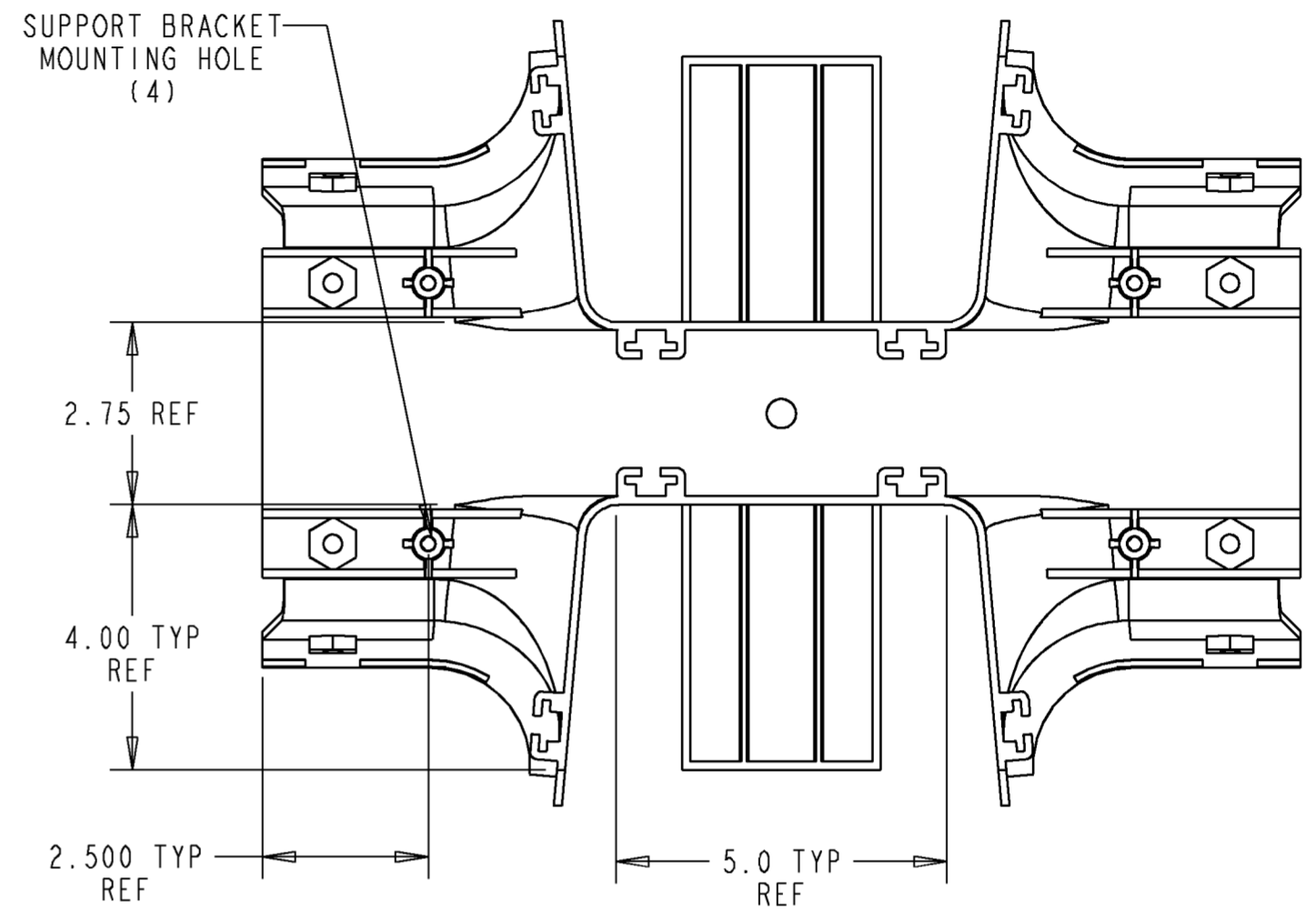
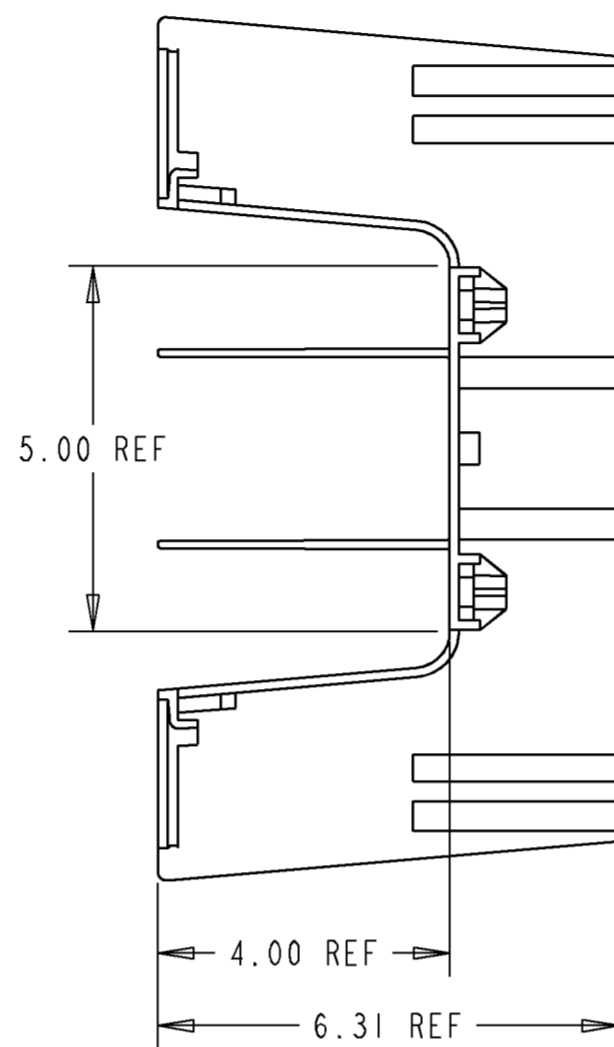
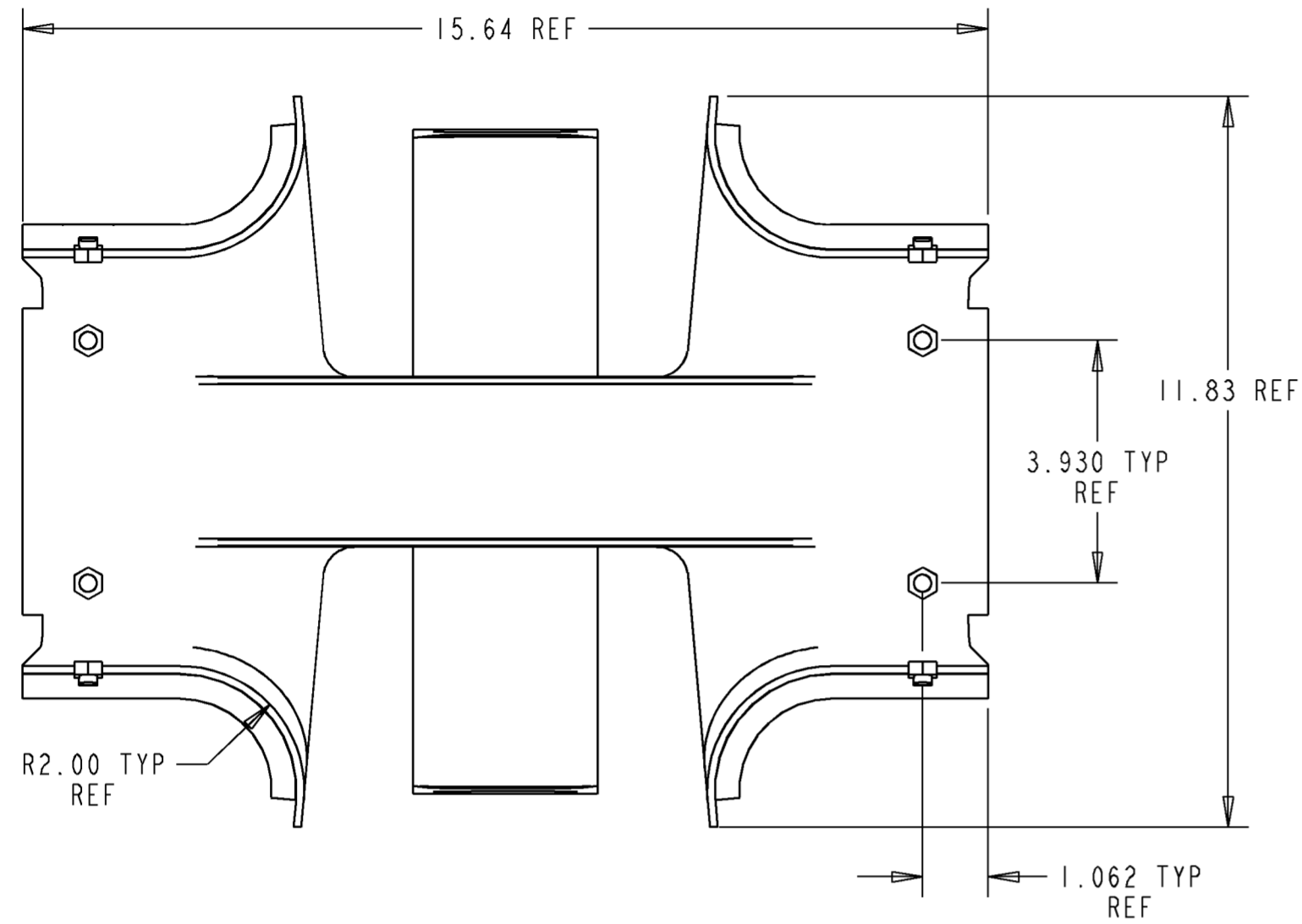


REV	MCO	DWN	DATE
A	20033855	TH	12-AUG-99
B	20263143	JSL	17-APR-09



**NOTES:**

- MATERIAL IS SELF EXTINGUISHING WITH A UL RATING OF 94 V-0.

CATALOG NO.	COLOR
FGS-MDSP-2B-IMP	YELLOW
FGSO-MDSP-2B-IMP	ORANGE
FGSB-MDSP-2B-IMP	BLACK



INFORMATION ON THIS DOCUMENT IS PROPRIETARY TO ADC AND SHALL NOT BE USED, COPIED, REPRODUCED OR DISCLOSED IN WHOLE OR IN PART WITHOUT WRITTEN CONSENT OF ADC.

ALL DIMS AND TOLERANCES ARE INCHES UNLESS OTHERWISE SPECIFIED

DO NOT SCALE DRAWING

TITLE	DRAWING NUMBER	B REV
DWNSPT, 4X6, DUAL 4X6 INSTALLATION DRAWINGS	1070357	
ENGR: T. HAATAJA		SHT. 1 OF 1
DWN: T. HAATAJA		

**DIMENSIONS IN INCHES  
THIRD ANGLE PROJECTION**