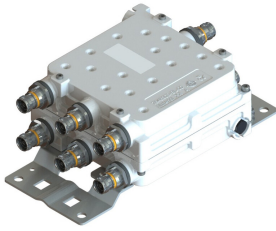


E12F03P90



Ultra Compact Twin Triplexer 1710-1880/1920-2170/2300-2690, with 4.3-10 connectors

- Ideal for small cell applications
- Compact form factor with reduced size and weight
- Suitable for space limited applications like Metro Cell, Lamp Pole, Concealment Solution and Macro Site
- New 4.3-10 connectors for improved PIM performance and size reduction
- Twin configuration
- dc/AISG blocking on all ports

Product Classification

Product Type Triplexer

General Specifications

Product Family CBC182126

Color Gray

Common Port Label COMM

Modularity 2-Twin

Mounting Pole | Wall

Mounting Pipe Hardware Band clamps (2)

RF Connector Interface 4.3-10 Female

RF Connector Interface Body Style Medium neck

Dimensions

Height 178 mm | 7.008 in

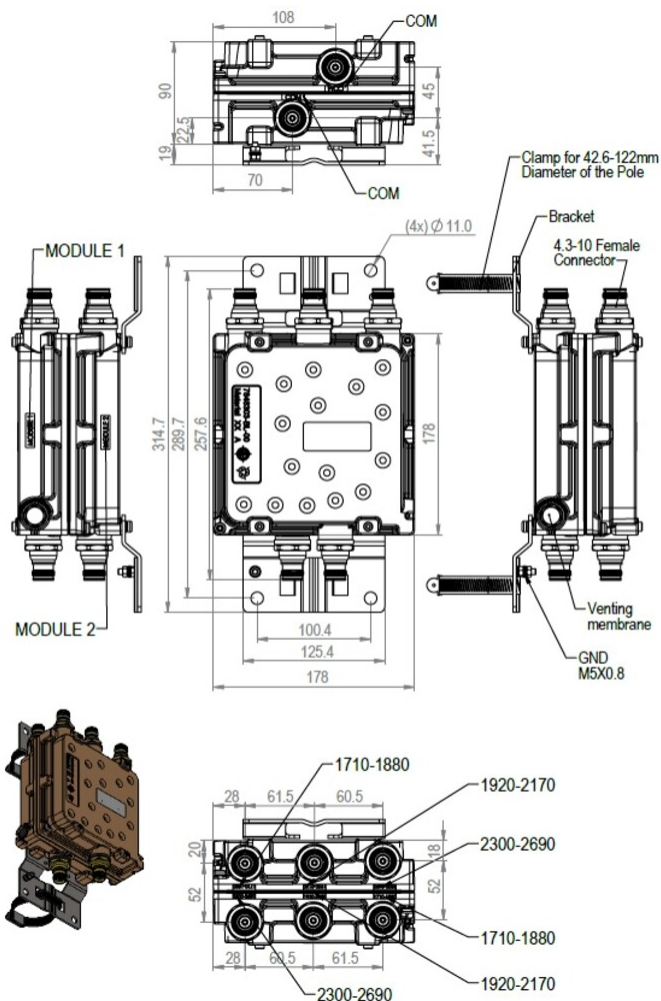
Width 178 mm | 7.008 in

Depth 90 mm | 3.543 in

Mounting Pipe Diameter Range 40–160 mm

Outline Drawing

E12F03P90



Electrical Specifications

Impedance	50 ohm
License Band, Band Pass	DCS 1800 IMT 2100 IMT 2600 TDD 2300 TDD 2600

Electrical Specifications, dc Power/Alarm

dc/AISG Pass-through Method	No dc/AISG pass-through
dc/AISG Pass-through, combiner	dc/AISG blocking on all ports
dc/AISG Pass-through, demultiplexer	dc/AISG blocking on all ports
Lightning Surge Current	5 kA
Lightning Surge Current Waveform	8/20 waveform

Electrical Specifications

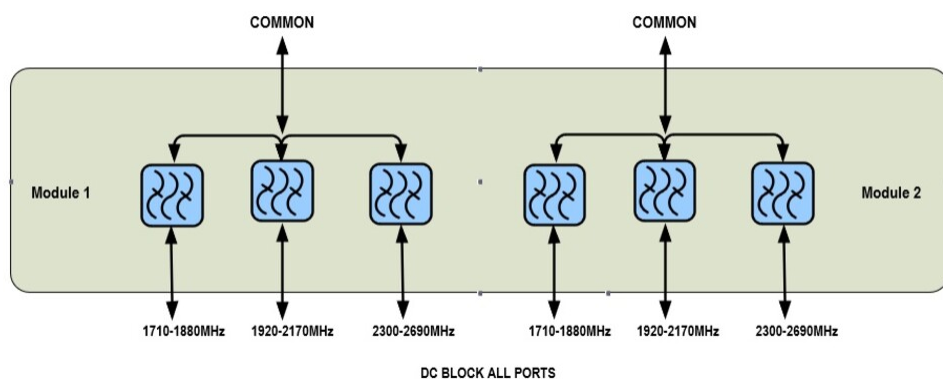
E12F03P90

Sub-module	1 2	1 2	1 2
Branch	1	2	3
Port Designation	1710-1880	1920-2170	2300-2690
License Band	DCS 1800, Band Pass	IMT 2100, Band Pass	TDD 2300, Band Pass TDD 2600, Band Pass IMT 2600, Band Pass

Electrical Specifications, Band Pass

Frequency Range, MHz	1710–1880	1920–2170	2300–2690
Insertion Loss, typical, dB	0.25	0.25	0.2
Return Loss, typical, dB	20	20	20
Isolation, typical, dB	52	52	52
Input Power, RMS, maximum, W	250	250	250
Input Power, PEP, maximum, W	1500	1500	1500
3rd Order PIM, typical, dBc	-155	-155	-155
3rd Order PIM Test Method	Two +43 dBm carriers	Two +43 dBm carriers	Two +43 dBm carriers

Block Diagram



Environmental Specifications

Operating Temperature	-40 °C to +65 °C (-40 °F to +149 °F)
Relative Humidity	Up to 100%
Corrosion Test Method	IEC 60068-2-11, 30 days
Ingress Protection Test Method	IEC 60529:2001, IP67

Packaging and Weights

Included	Mounting hardware
-----------------	-------------------

E12F03P90

Volume	2.85 L
Weight, net	4.3 kg 9.48 lb
Weight, without mounting hardware	3.8 kg 8.378 lb

Regulatory Compliance/Certifications

Agency	Classification
ISO 9001:2015	Designed, manufactured and/or distributed under this quality management system