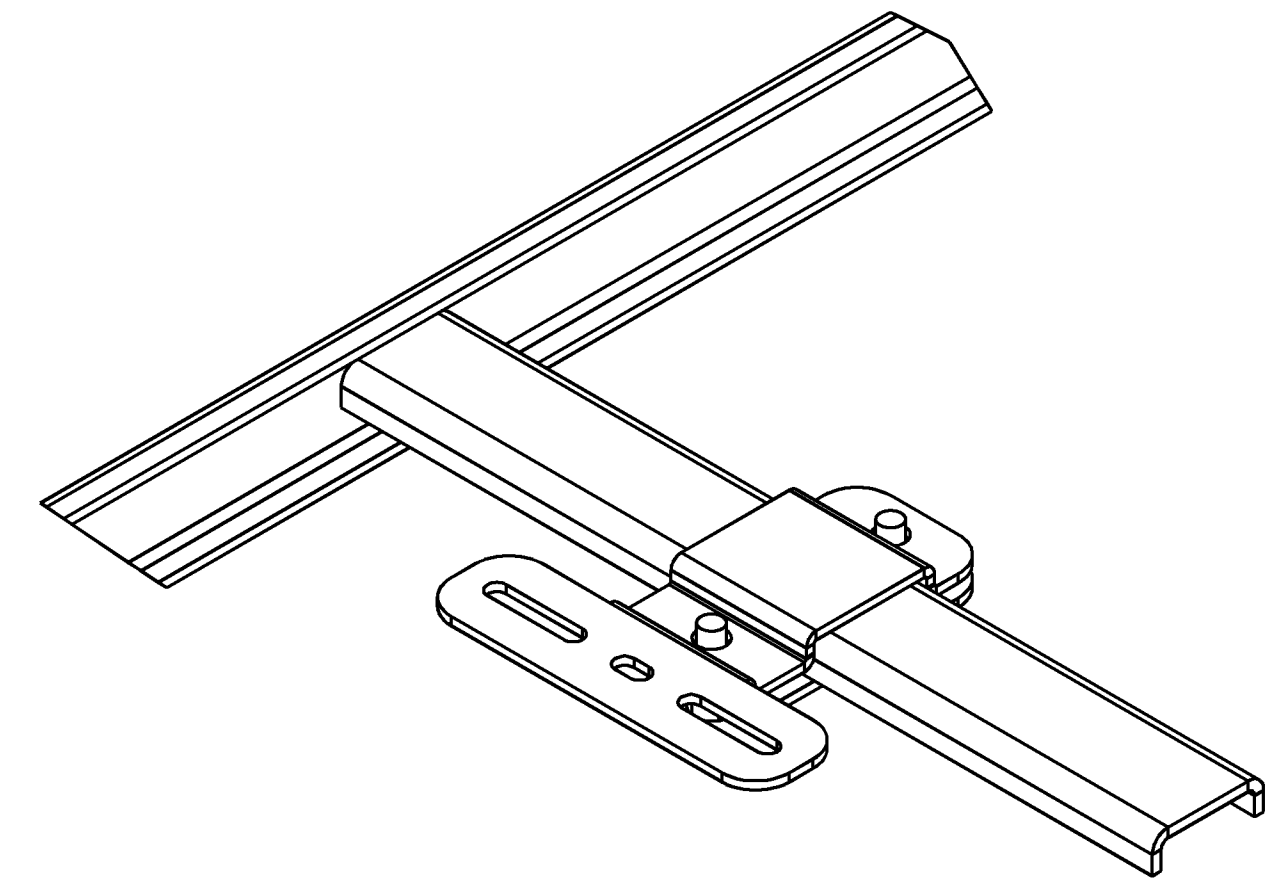
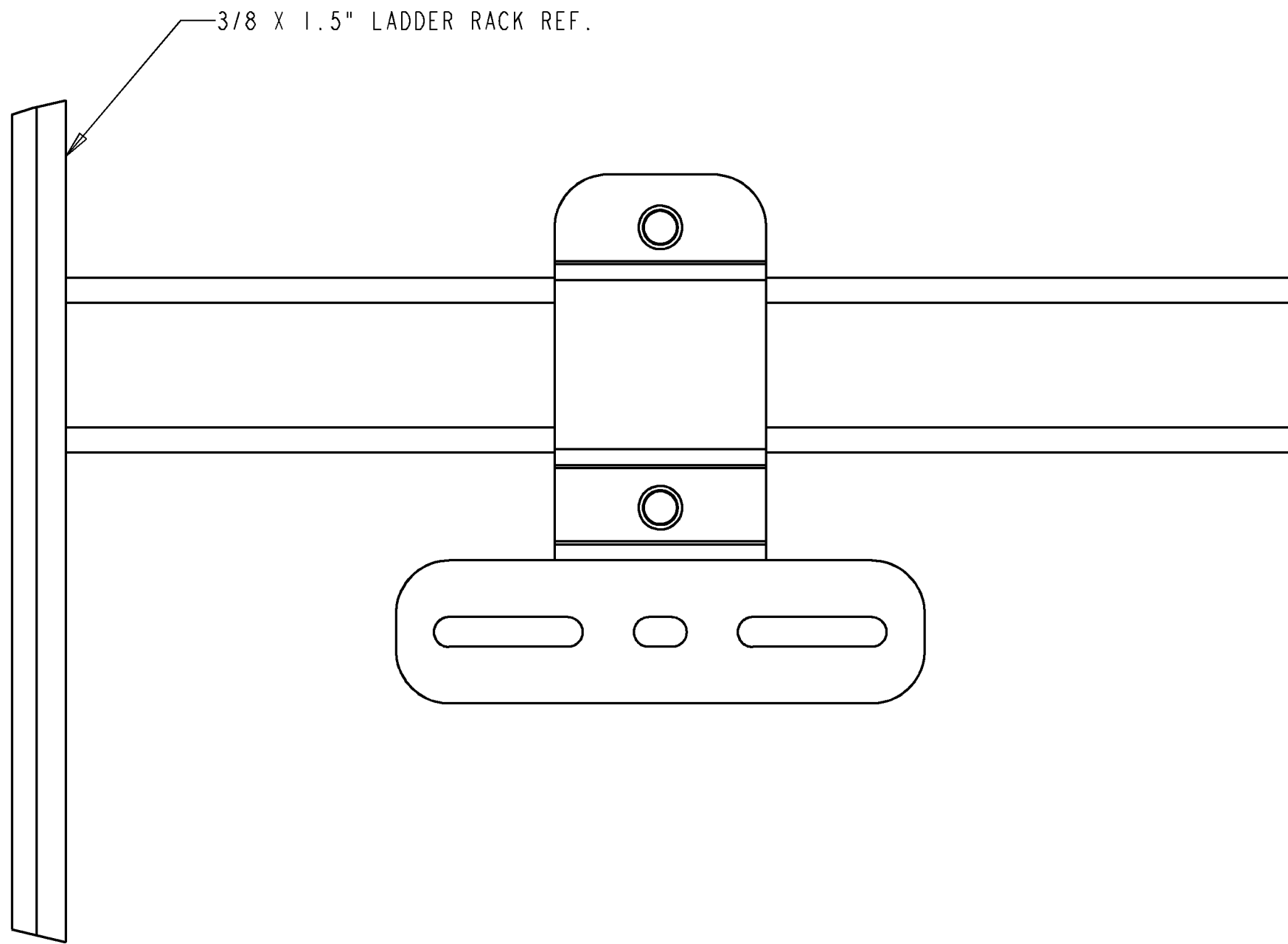
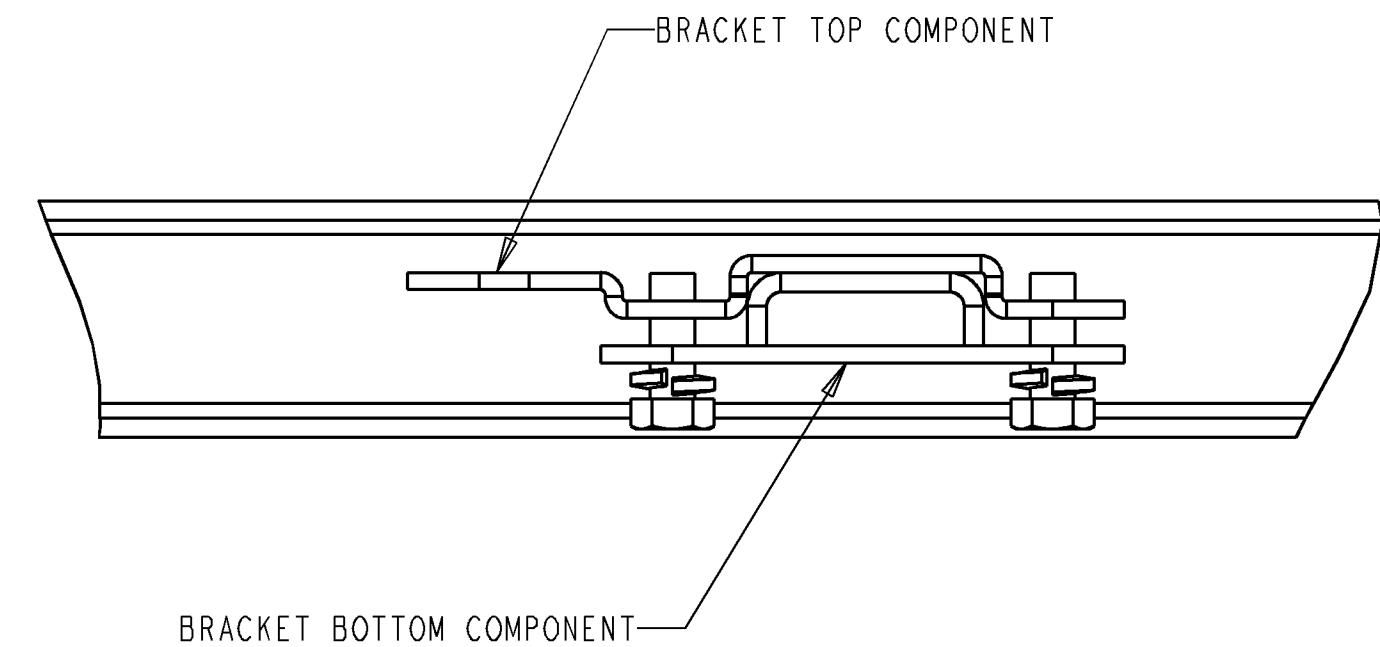
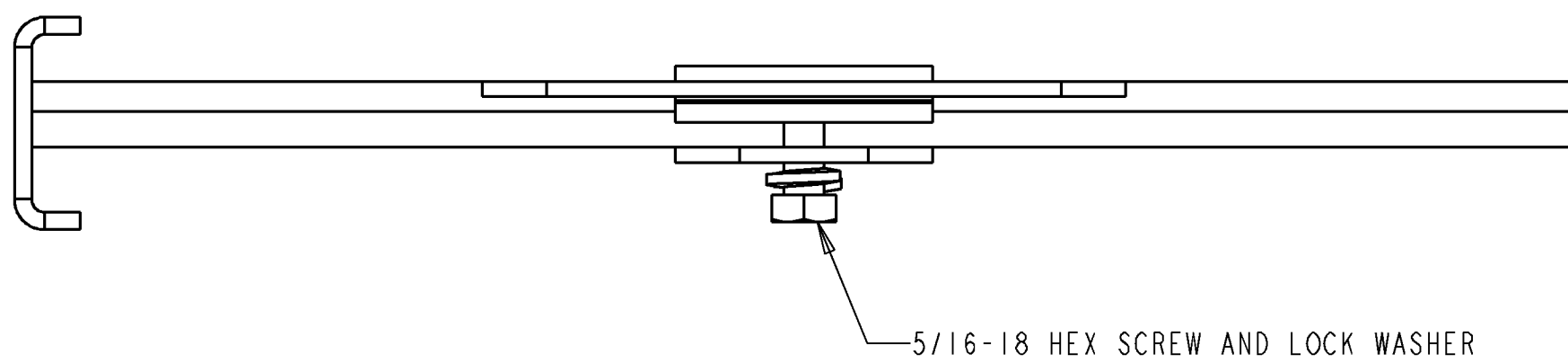


REV	ECO	DWN	DATE
A	20087401	CNC	11-APR-01
-	-----	---	-----



SCALE 0.500



NOTES:

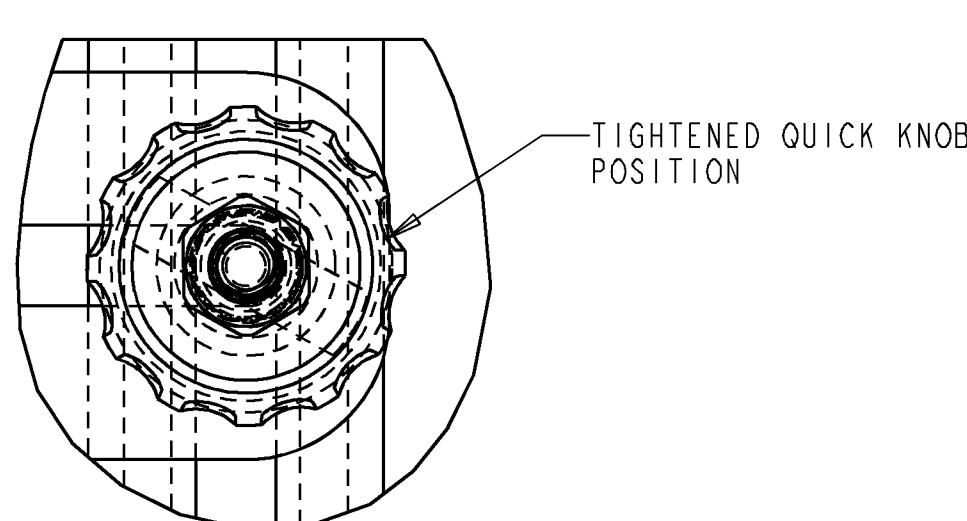
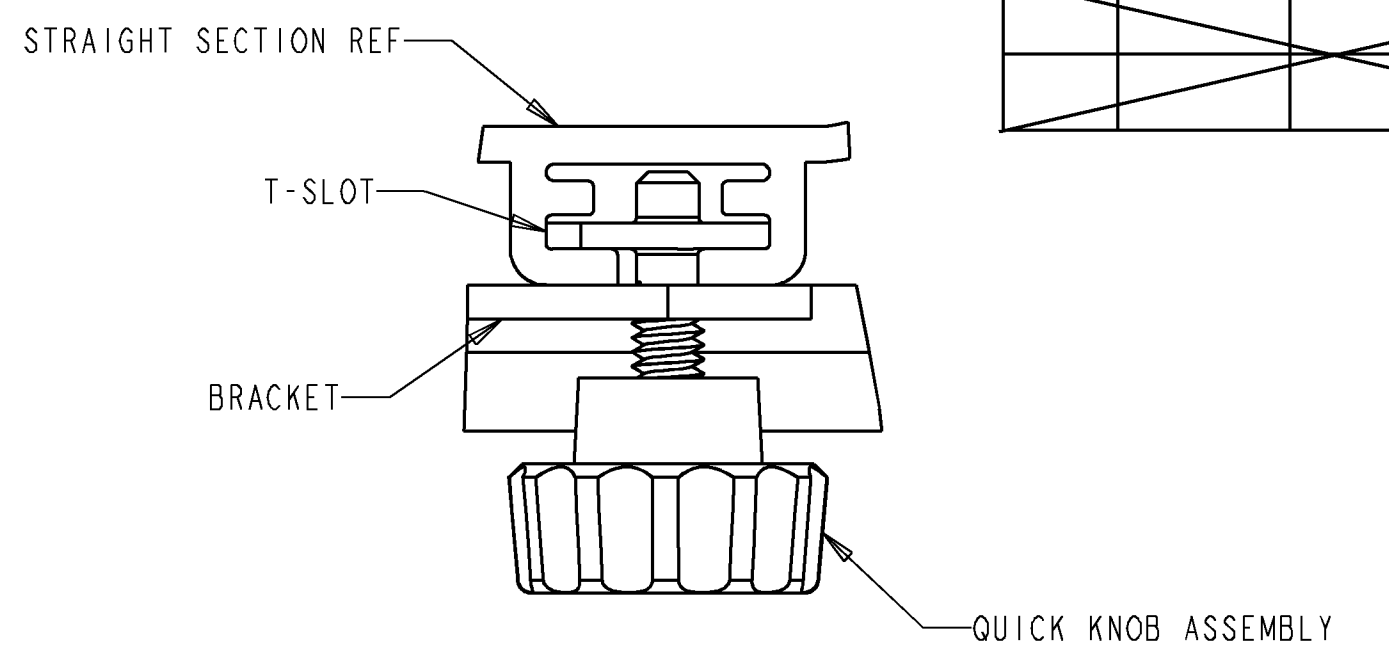
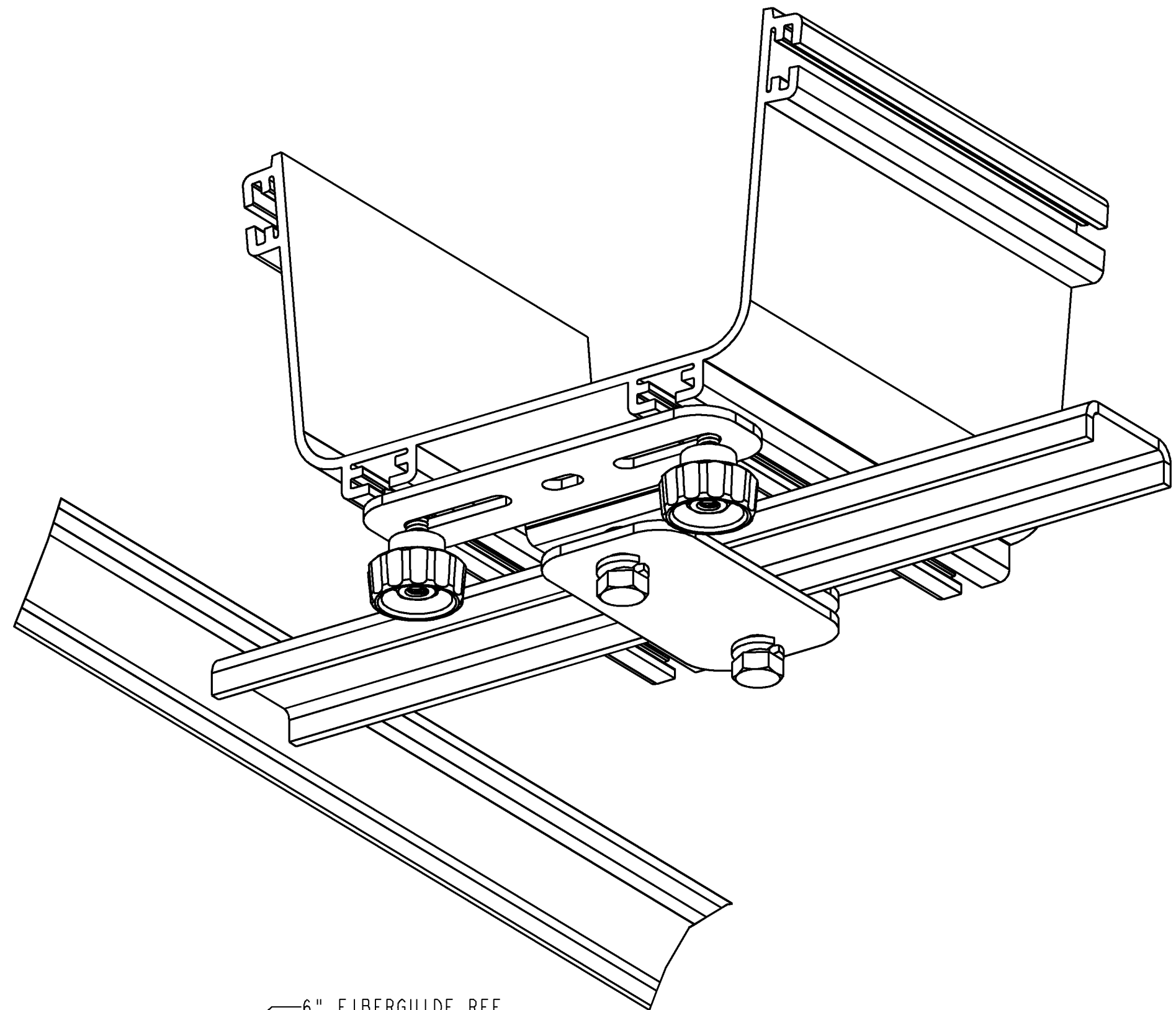
1. PARTS INCLUDED WITH KIT AS FOLLOWS:
 - (1) BRACKET, TOP
 - (1) BRACKET, BOTTOM
 - (2) 5/16-18 HEX SCREW
 - (2) 5/16 LOCK WASHER
 - (2) QUICK KNOB ASSEMBLY
2. SEE SHEET 2 FOR MOUNTING FIBERGUIDE.

CATALOG #: FGS-HNLR-AB

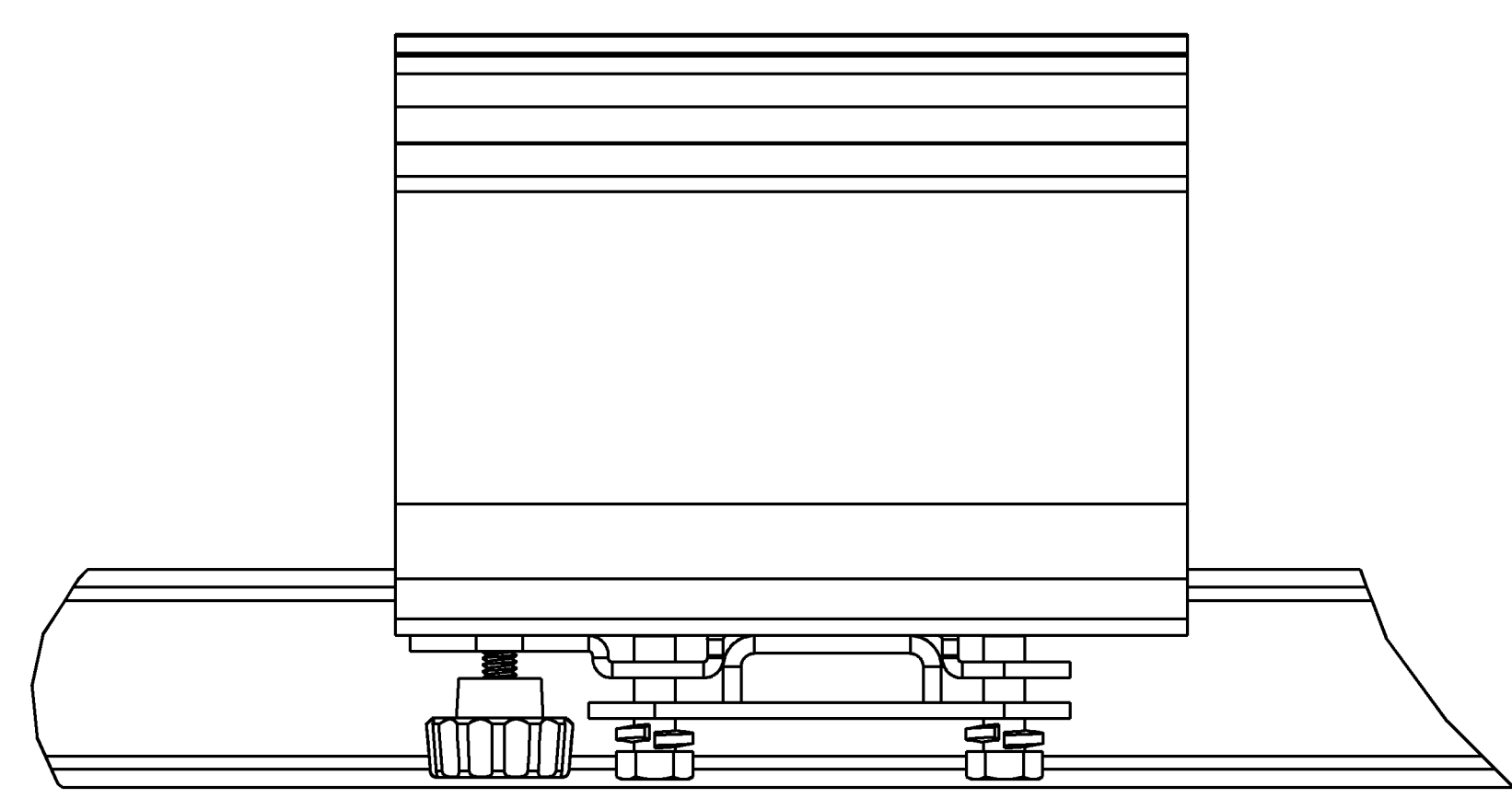
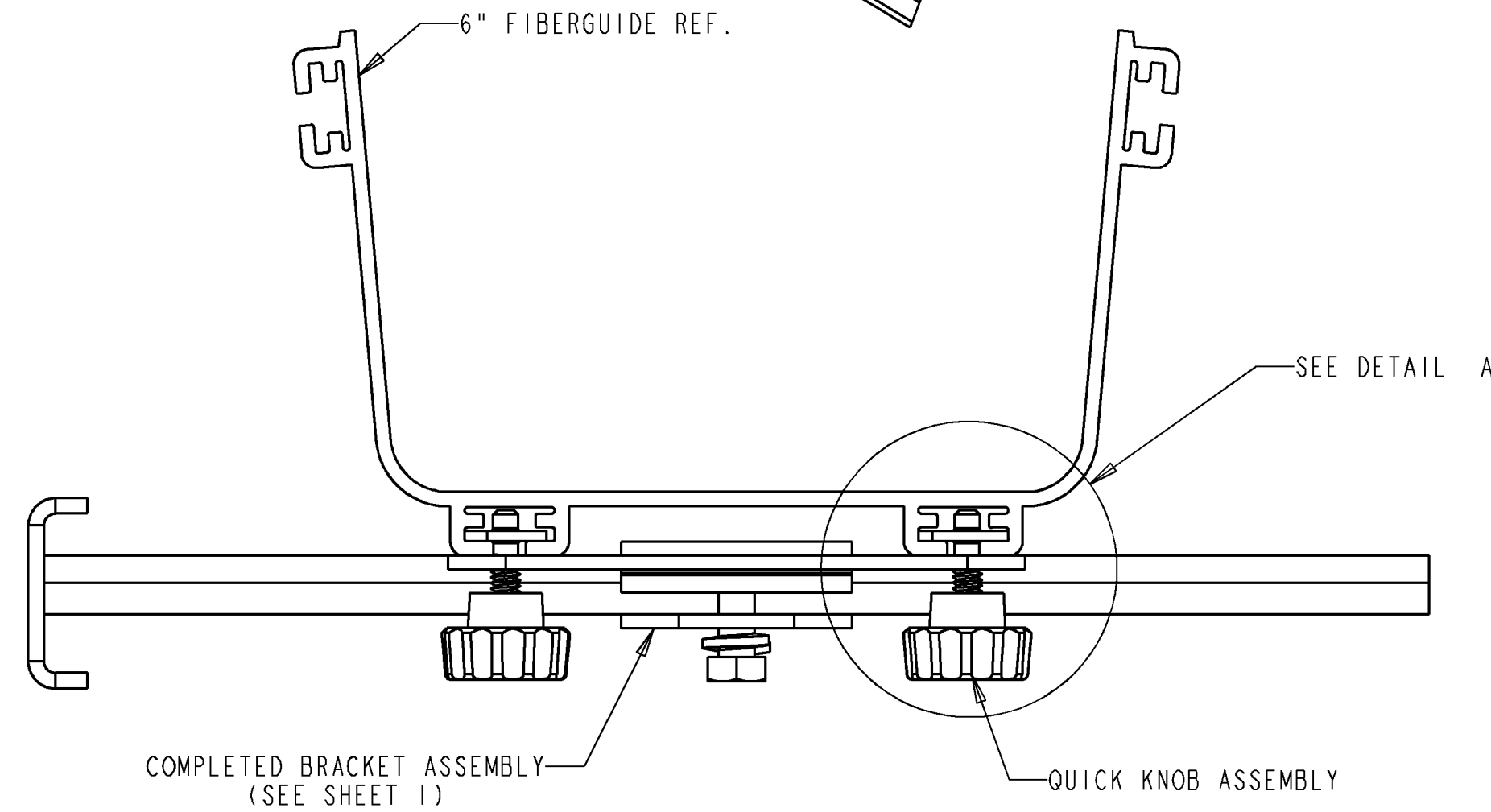


INFORMATION ON THIS DOCUMENT IS PROPRIETARY TO ADC AND SHALL NOT BE USED, COPIED, REPRODUCED OR DISCLOSED IN WHOLE OR IN PART WITHOUT WRITTEN CONSENT OF ADC.		TITLE 4" - 6" FGS LADDER RACK BRKT INSTL DRW	
TOLERANCE UNLESS OTHERWISE SPECIFIED	.XX: ±.02 .XXX: ±.010 ANGULAR: ±2°	C SIZE	DRAWING NUMBER 1169800
THIRD ANGLE PROJECTION	DO NOT SCALE DRAWING	ENGR: DEREK DERKS DWN: CRAIG ZELASKO	A REV
			SHT. 1 OF 2

REV	ECO	DWN	DATE



DETAIL A
QUICK KNOB INSTALLATION
SCALE 1.500



- NOTE:
QUICK KNOB INSTALLATION INSTRUCTIONS:
1. INSERT QUICK KNOB ASSEMBLY THROUGH BRACKET, AND ROTATE 90° INTO T-SLOT IN FGS STRAIGHT SECTION. ROTATE QUICK KNOB CLOCKWISE SUCH THAT THE FLANGES EXTEND INTO T-SLOT.
 2. TIGHTEN KNOB COMPLETELY.



INFORMATION ON THIS DOCUMENT IS PROPRIETARY TO ADC AND SHALL NOT BE USED, COPIED, REPRODUCED OR DISCLOSED IN WHOLE OR IN PART WITHOUT WRITTEN CONSENT OF ADC.		TITLE 4" - 6" FGS LADDER RACK BRKT INSTL DRW	
TOLERANCE UNLESS OTHERWISE SPECIFIED .XX: ±.02 XXX: ±.010 ANGULAR: ±2°	SIZE C	DRAWING NUMBER 1169800	A REV
THIRD ANGLE PROJECTION DO NOT SCALE DRAWING	ENGR: DEREK DERKS DWN: CRAIG ZELASKO	SHT. 2 OF 2	