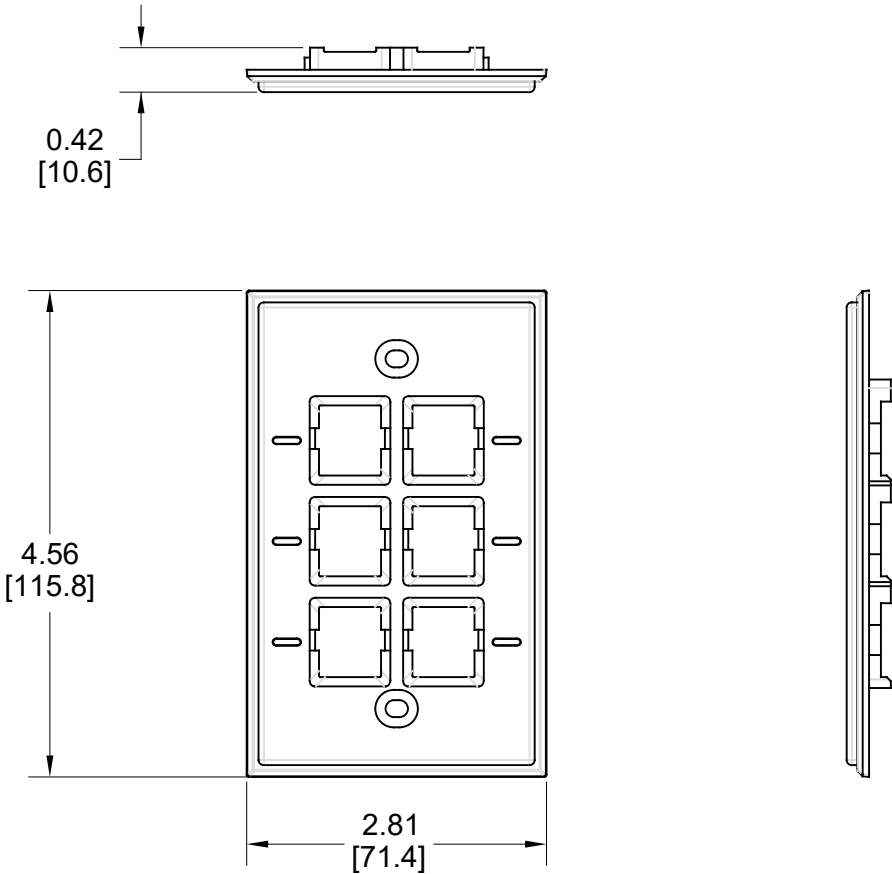


MATERIAL ID	DESCRIPTION
760249167	FP KT 6P NLBL 148

NOTES:

- SEE COMMSCOPE CATALOG FOR PART NUMBER SUFFIXES TO INDICATE COLOR/PKG.
- SEE COMMSCOPE CATALOG FOR COMPLETE LIST OF PARTS RELATED TO THE USE OF THIS PRODUCT.
- DIMENSIONS IN PARENTHESSES ARE IN METRIC[MM].
- PART INCLUDES:
 - (1) 6 PORT NAR NLBL FP, ALD
 - (2) SCREW



FP KT 6P NLBL 148	
COMMSCOPE, INC OF NORTH CAROLINA	
DRAWN BY JW	DWG NO 760249167
APPROVED BY FW	DATE 02/03/2021

REV	DATE	ECR	DESCRIPTION	APPROVED BY
1	02/03/21		INITIAL ISSUE	FW