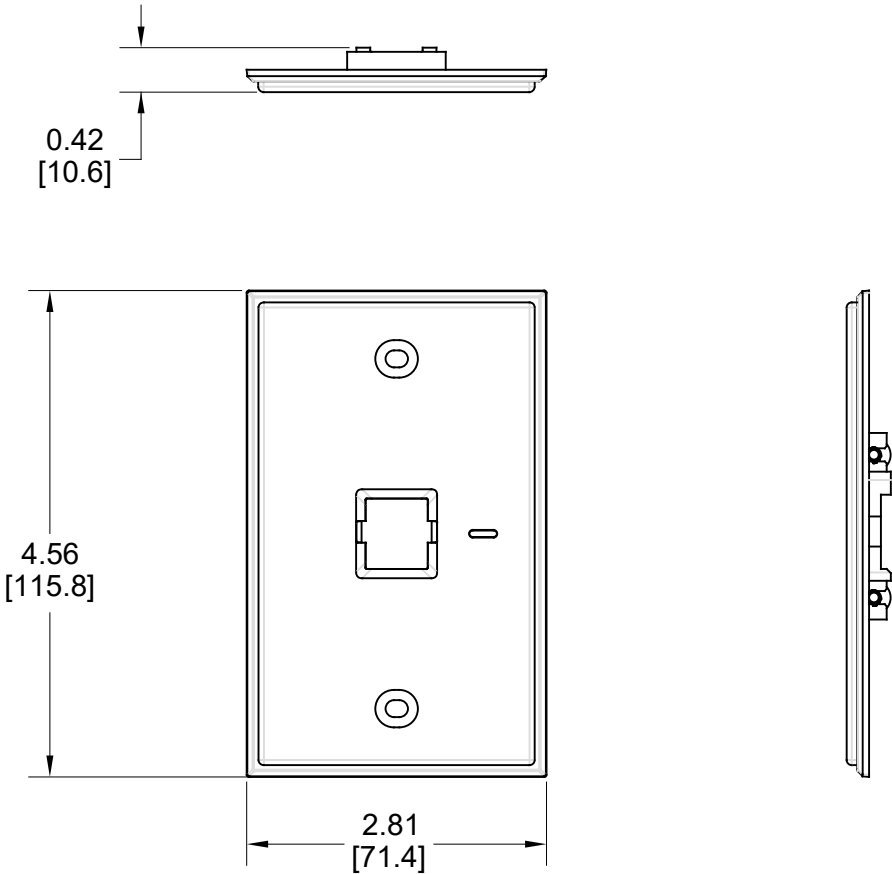


MATERIAL ID	DESCRIPTION
760249148	FP KT 1P NLBL 266

NOTES:

- SEE COMMSCOPE CATALOG FOR PART NUMBER SUFFIXES TO INDICATE COLOR/PKG.
- SEE COMMSCOPE CATALOG FOR COMPLETE LIST OF PARTS RELATED TO THE USE OF THIS PRODUCT.
- DIMENSIONS IN PARENTHESES ARE IN METRIC[MM].
- PART INCLUDES:
  - (1) 1 PORT NAR NLBL FP, AWHT
  - (2) SCREW



FP KT 1P NLBL 266	
<b>COMMSCOPE, INC</b> OF NORTH CAROLINA	
DRAWN BY JW	
DATE 02/03/2021	DWG NO 760249148

REV	DATE	ECR	DESCRIPTION	APPROVED BY
1	02/03/21		INITIAL ISSUE	FW