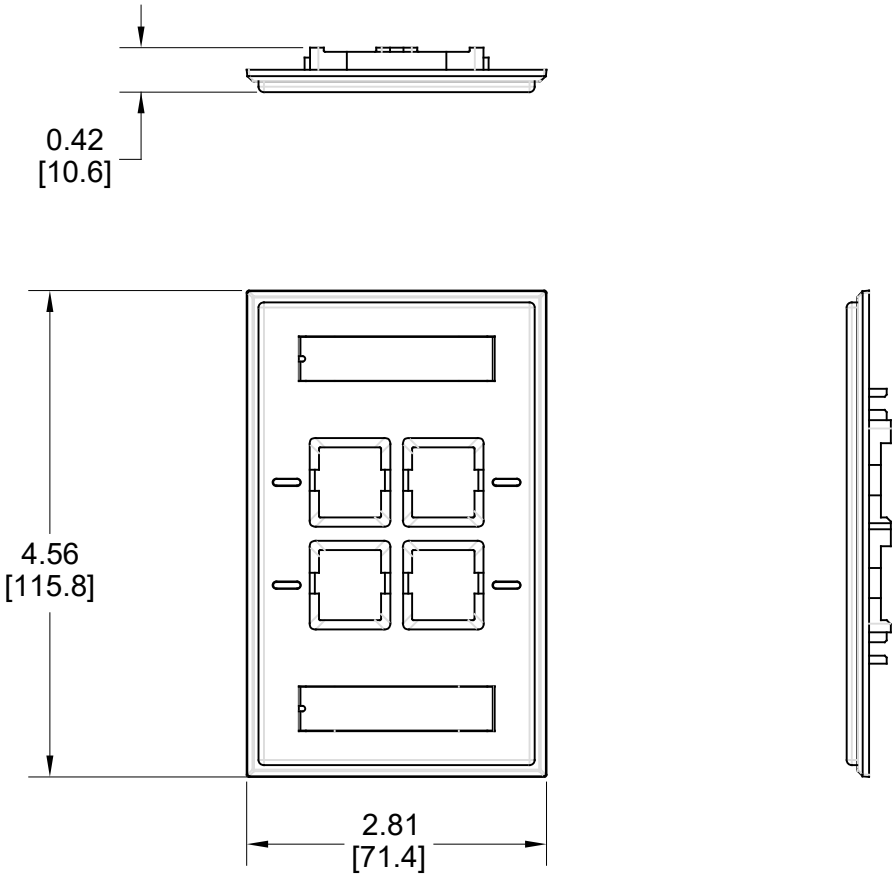


MATERIAL ID	DESCRIPTION
760248926	FP KT 4P LBL 003

NOTES:

1. SEE COMMSCOPE CATALOG FOR PART NUMBER SUFFIXES TO INDICATE COLOR/PKG.
2. SEE COMMSCOPE CATALOG FOR COMPLETE LIST OF PARTS RELATED TO THE USE OF THIS PRODUCT.
3. DIMENSIONS IN PARENTHESES ARE IN METRIC[MM].
4. PART INCLUDES:
 (1) 4 PORT NAR LBL FP, BLACK
 (2) SCREW



FP KT 4P LBL 003	
COMMSCOPE, INC OF NORTH CAROLINA	
DRAWN BY JW	
DATE 02/03/2021	DWG NO 760248926

1	02/03/21		INITIAL ISSUE	FW
REV	DATE	ECR	DESCRIPTION	APPROVED BY