

COMMScope® Installation Instructions

540 and 780 EZfit® Series Connectors
for HELIAX® FXL Cables - Hand Tool

Bulletin 7594358 Revision N Page 1 of 2

CommScope Infrastructure Academy offers installation training.

12-HPT
78-HPT

AVA / AL Cable Only
FXL / CR Cable Only

12EZ*series	20 mm
78EZ*series	34 mm

#18 Masonry String

12EZ*series	TW-12-EZFC	20 mm
78EZ*series	TW-78-EZFC	34 mm

1

2

3

4

5

8.0 mm

6

LH

Flush

1

0±0.20 mm

7

8

Nylon Bristle

9

See Torque Table on page 2

2

DIN 18-22 lb-ft (25-30 N•m)
N 15-20 lb-in (1.7-2.3 N•m)
4.3-10 44-70 lb-in (5-8 N•m)

部件名称 (Part Name)	表一 有毒有害物质或元素名称及含量标识格式					
	有毒有害物质或元素					
	铅 (Pb)	汞 (Hg)	镉 (Cd)	六价铬 (Cr6+)	多溴联苯 (PBB)	多溴二苯醚 (PBDE)
连接器 (Connector)	X	O	O	O	O	O

O: 表示有毒有害物质在该部件所有的均质材料中的含量均在SJ/T 11363-2006规定的限量要求以下。
X: 表示该有毒有害物质至少在该部件的某一均质材料中的含量超出SJ/T 11363-2006规定的限量要求。

Patent number: 7,419,403

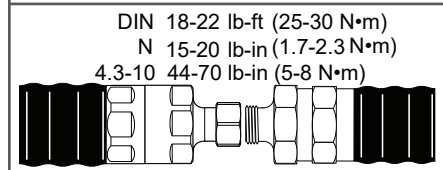
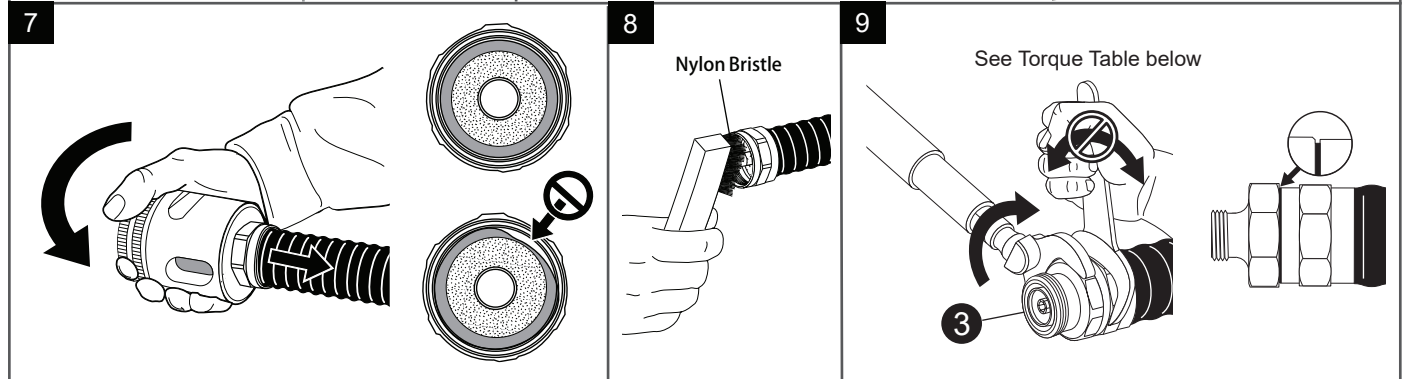
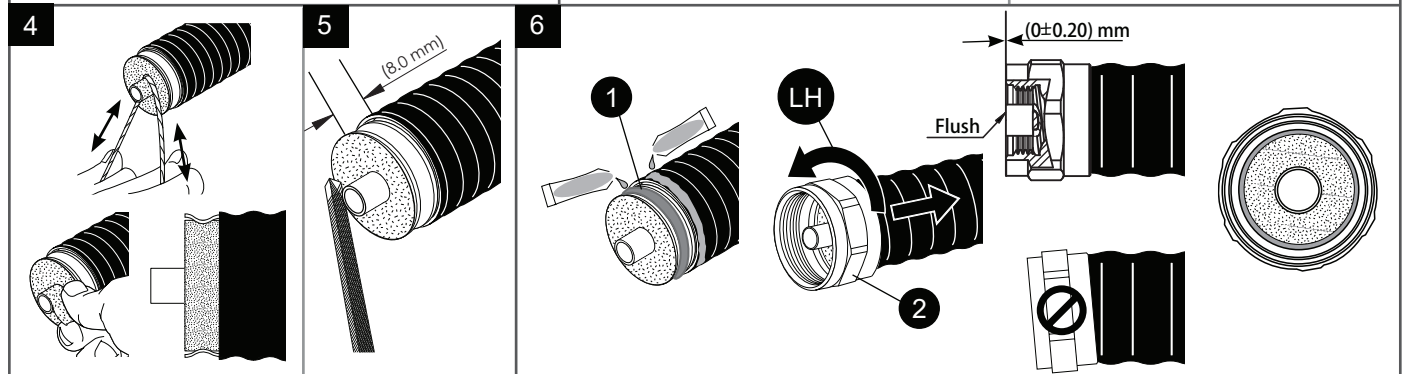
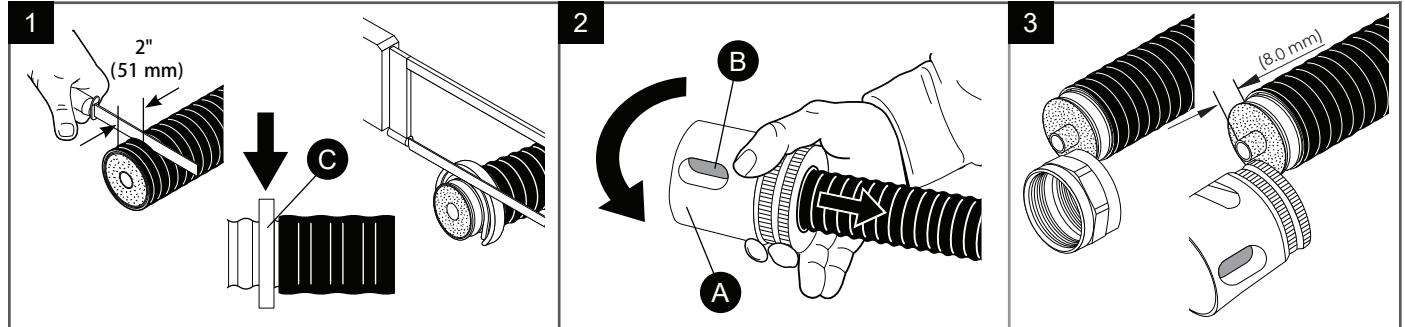
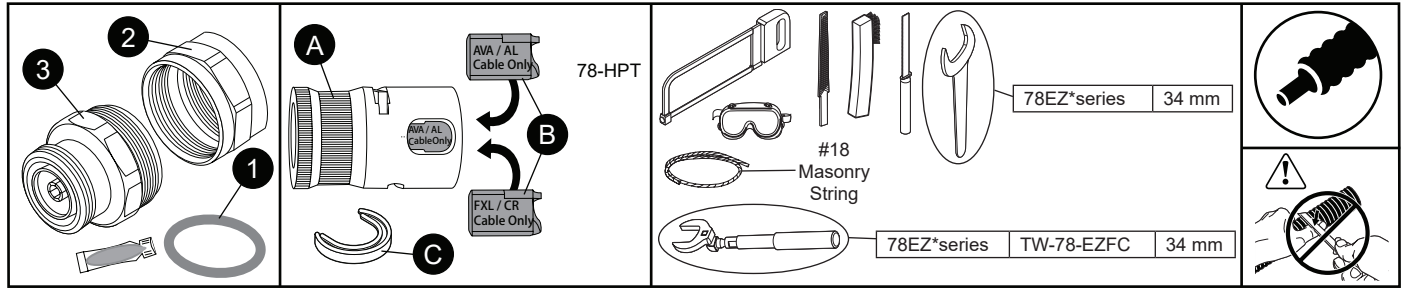
Notice: CommScope disclaims any liability or responsibility for the results of improper or unsafe installation, inspection, maintenance, or removal practices.
Aviso: CommScope no acepta ninguna obligación ni responsabilidad como resultado de prácticas incorrectas o peligrosas de instalación, inspección, mantenimiento o retiro.
Avis: CommScope décline toute responsabilité pour les conséquences de procédures d'installation, d'inspection, d'entretien ou de retrait incorrectes ou dangereuses.
Hinweis: CommScope lehnt jede Haftung oder Verantwortung für Schäden ab, die aufgrund unsachgemäßer Installation, Überprüfung, Wartung oder Demontage auftreten.
Atenção: A CommScope abdica do direito de toda responsabilidade pelos resultados de práticas inadequadas e sem segurança de instalação, inspeção, manutenção ou remoção.
Avvertenza: CommScope declina eventuali responsabilità derivanti dall'esecuzione di procedure di installazione, ispezione, manutenzione e smontaggio improprie o poco sicure.
注意: CommScope 公司申明對於不恰當或不安全的安裝、檢驗、維修或拆卸操作所導致的後果不負責任 何義務和責任

7/8" EZfit® Series Connectors

Bulletin 7594358 Revision N Page 2 of 2

for HELIAX® AVA5-50, AVA5-50FX and AL5-50 cables

CommScope Infrastructure Academy offers installation training.



Torque Table		
Ezfit™ Family	Clamping Torque Value (MIN)	Unit
7/8" 78EZ*	25 (34)	lb-ft (N•m)

EZfit® Series Connectors	
78EZDF, 78EZDM, 78EZNM, 78EZN, 78EZNMF, 78EZNFF, 78EZHM-F, 78EZHFF	Compatible with AVA5-50, AVA5-50FX and AL5-50 cables
78EZH, 78EZH	Compatible with AVA5-50, AVA5-50FX cables only

NOTE: Connector interface threads and O-rings are designed for mate ability without ANY supplementary treatment to threads or O-rings. If any type of supplementary lubricants/oils are used, the warranty will be void, and connector/assembly performance may be affected.

Patent number: 7,419,403

CommScope

1100 CommScope Place SE P.O. Box 339, Hickory, NC 28603-0339
 (828) 324-2200 (800) 982-1708
 www.commscope.com
 © Dec, 2023 CommScope

Customer Service 24 hours

North America: +1-800-255-1479 (toll free)
 Any country: +1-779-435-6500
 email: acicustomersupportcenter@commscope.com

