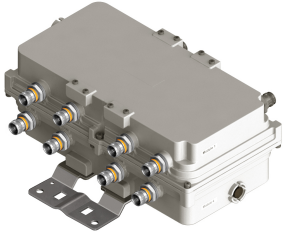


E14F06P51



Quad Diplexer 617-698/703-960 MHz, 4.3-10 connectors

- Industry leading PIM performance
- New 4.3-10 connectors for improved PIM performance and size reduction
- Designed for network modernization application, introduction of LTE 4x4 MIMO

Product Classification

Product Type Diplexer

General Specifications

Color Gray

Modularity 4-Quad

Mounting Pipe Hardware Band clamps

RF Connector Interface 4.3-10 Female

RF Connector Interface Body Style Long neck

Dimensions

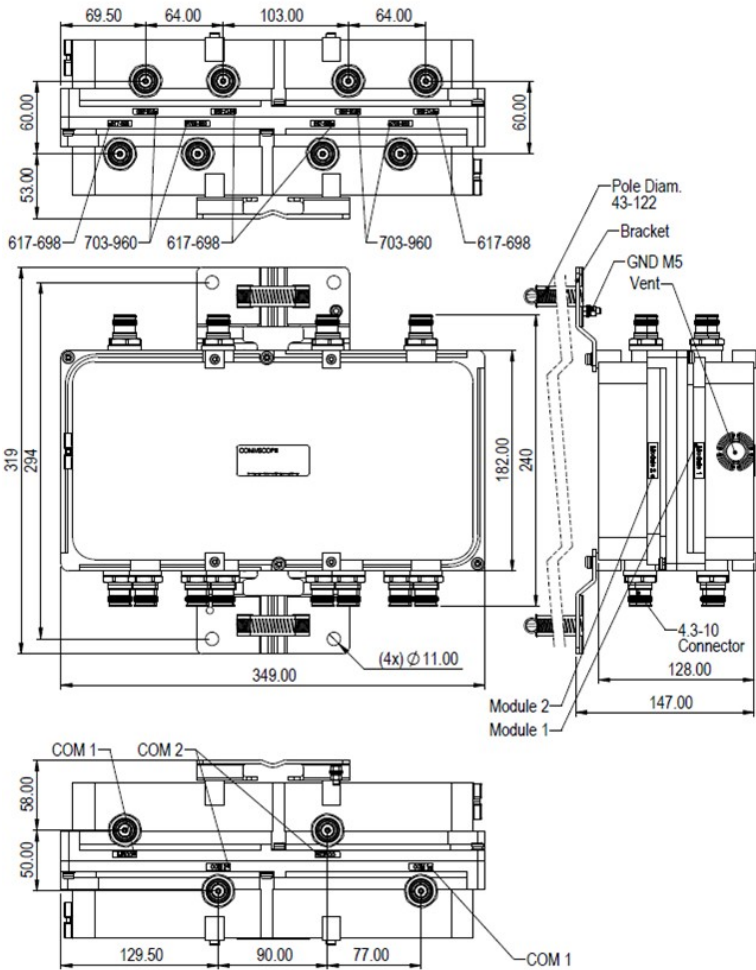
Height 182 mm | 7.165 in

Width 349 mm | 13.74 in

Depth 128 mm | 5.039 in

Outline Drawing

E14F06P51



Electrical Specifications

Impedance	50 ohm
License Band, Band Pass	APT 700 CEL 850 CEL 900 EDD 800 LMR 750 LMR 800 LMR 900 USA 600 USA 700 USA 750

Electrical Specifications, dc Power/Alarm

dc/AISG Pass-through, combiner	Branch 1 Branch 2
dc/AISG Pass-through, demultiplexer	Branch 1 Branch 2
Lightning Surge Current	5 kA
Lightning Surge Current Waveform	8/20 waveform

Electrical Specifications

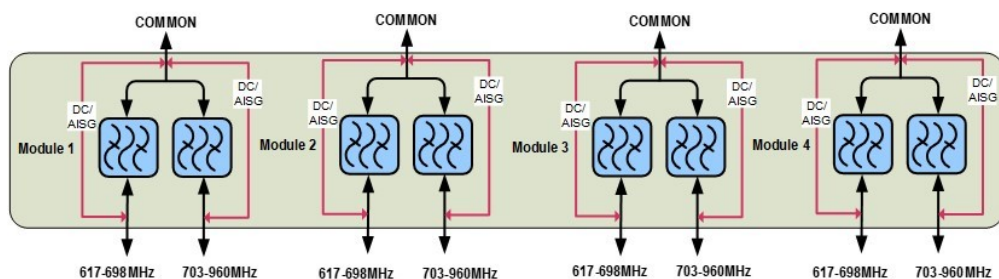
E14F06P51

Sub-module	1 2	1 2
Branch	1	2
Port Designation	Port 617-698	Port 703-960
License Band	USA 600, Band Pass	APT 700, Band Pass LMR 750, Band Pass LMR 800, Band Pass LMR 900, Band Pass USA 700, Band Pass USA 750, Band Pass CEL 850, Band Pass CEL 900, Band Pass EDD 800, Band Pass

Electrical Specifications, Band Pass

	617-698	703-960
Frequency Range, MHz		
Insertion Loss, typical, dB	0.3	0.2
Return Loss, typical, dB	20	20
Isolation, typical, dB	43	43
Input Power, RMS, maximum, W	250	250
Input Power, PEP, maximum, W	1200	1200
3rd Order PIM, typical, dBc	-155	-155
3rd Order PIM Test Method	2 x 20 W CW tones	2 x 20 W CW tones

Block Diagram



Environmental Specifications

Operating Temperature	-40 °C to +65 °C (-40 °F to +149 °F)
Corrosion Test Method	IEC 60068-2-11, 30 days
Environmental Test Method	ETSI EN 300 019-1-4
Ingress Protection Test Method	IEC 60529:2001, IP67

Packaging and Weights

Volume	8.1 L
---------------	-------

E14F06P51

Weight, net	9.1 kg 20.062 lb
Weight, without mounting hardware	8.5 kg 18.739 lb