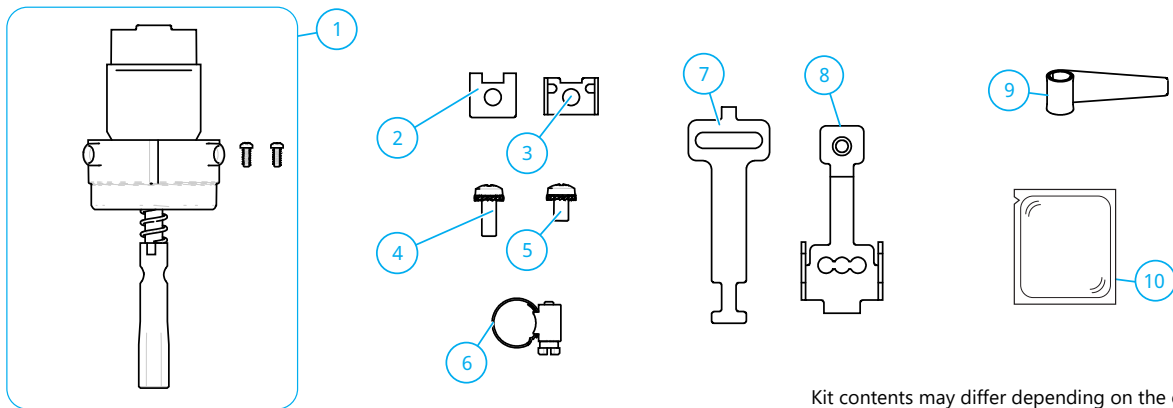


## FIST RSKG 1

### 1 About this manual

This kit is used to install 1 drop cable of 11 to 14 mm diameter in a new unused round port of the FIST-GCO2-BX6 and BX8, the FIST-GC02-FX and the FIST-EDSA2.

### 2 Kit contents



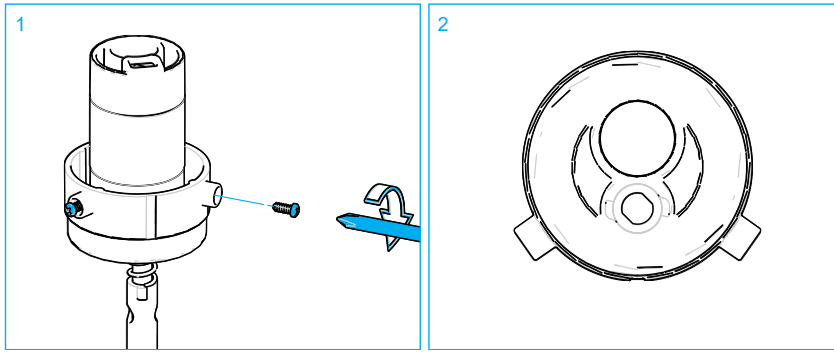
Kit contents may differ depending on the order.

| N° | Part description                      | Qty FX | Qty BX6 | Qty BX8 | Qty EDSA2 |
|----|---------------------------------------|--------|---------|---------|-----------|
| 1  | FIST GCO2 RSKG-1 with securing screws | 1      | 1       | 1       | 1         |
| 2  | Strmbr fixation cap double            | 1      | 1       | 1       | 1         |
| 3  | Strmbr fixation base plate            | 1      | 1       | 1       | 1         |
| 4  | Bolt with star washer M5x14           | 1      | 1       | 1       | 1         |
| 5  | Bolt with star washer M5x10           | 1      | -       | 1       | 1         |
| 6  | Hose clamp                            | 1      | 1       | 1       | 1         |
| 7  | Cable term GC02 brkt 1 OUT            | -      | 1       | -       | -         |
| 8  | Cable term GC02-FX brkt 1/2 OUT       | 1      | -       | 1       | 1         |
| 9  | Felt tape                             | 1      | 1       | 1       | 1         |
| 10 | Lubrication oil                       | 1      | 1       | 1       | 1         |


### 3 Cable diameter range gel seals

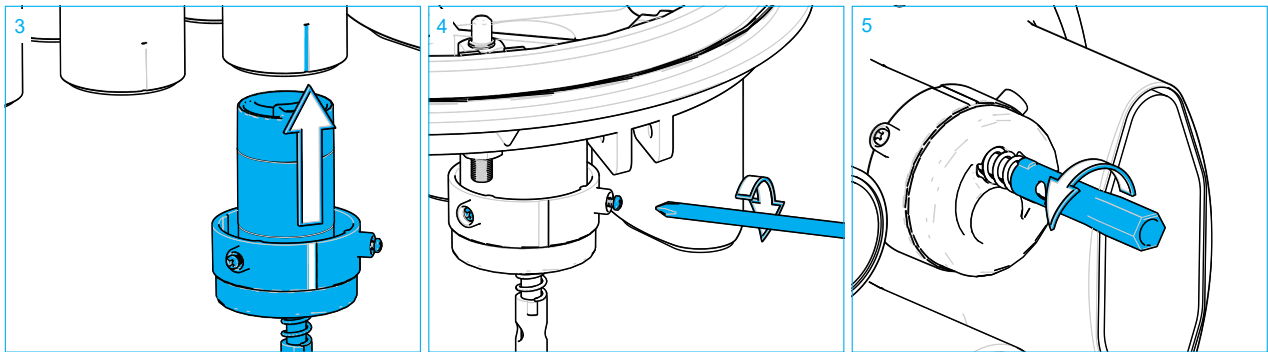
| Number of ports | Cable diameter range (mm) | Number of ports | Cable diameter range (mm)                       |
|-----------------|---------------------------|-----------------|---|
| 1               | 11 - 14                   | 8               | 3 - 5   |
| 2               | 8 - 11                    | 16              | 0 - 2.4 (up to 3 depending on the kit contents) |
| 3               | 6.5 - 8                   | FOSC OSKG       | 6 - 15  |
| 4               | 4 - 7                     | FIST OSKG       | 5 - 18  |
| 4 FLAT          | 8 x 4,5 - 11 x 6,5        | FIST OSKG 20    | 16 - 20   |

## 4 Install gel seal



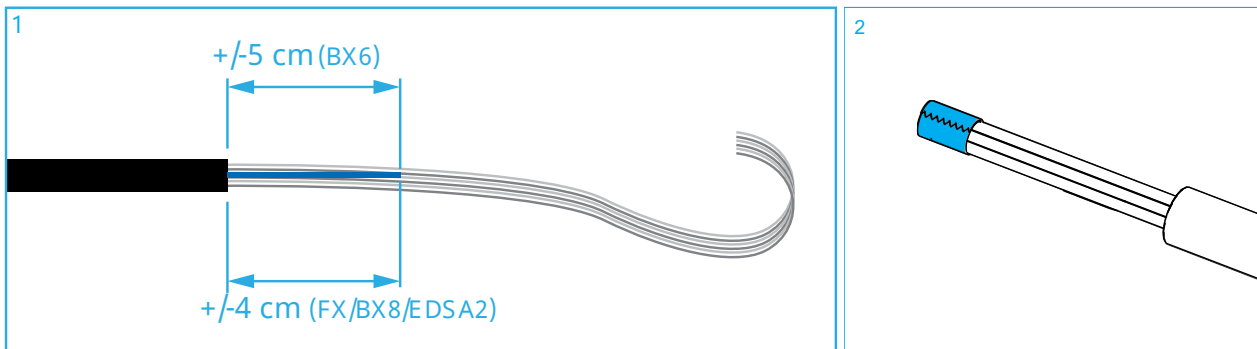
- 1 Before installing the gel seal in the port, install the 2 securing screws.
- 2 Bottom view RSKG 1 OUT.

 **Note:** The lubrication oil in the kit makes it easier to install gel seal in the closure ports.




- 3 Open the port. The cutting wire can be used. Make sure that the edges are free of burrs. Install the seal in the port, mark line always facing forward. The mark line on the gel seal should match with the mark line on the FIST-GCO2 drop port. (The mark at the FIST-GCO2- FX/EDSA2 should be hidden when the seal is installed).
- 4 Tighten the 2 screws and make sure they grip in the port.
- 5 Make sure the seal is decompressed before installing a cable.

## 5 Prepare cable



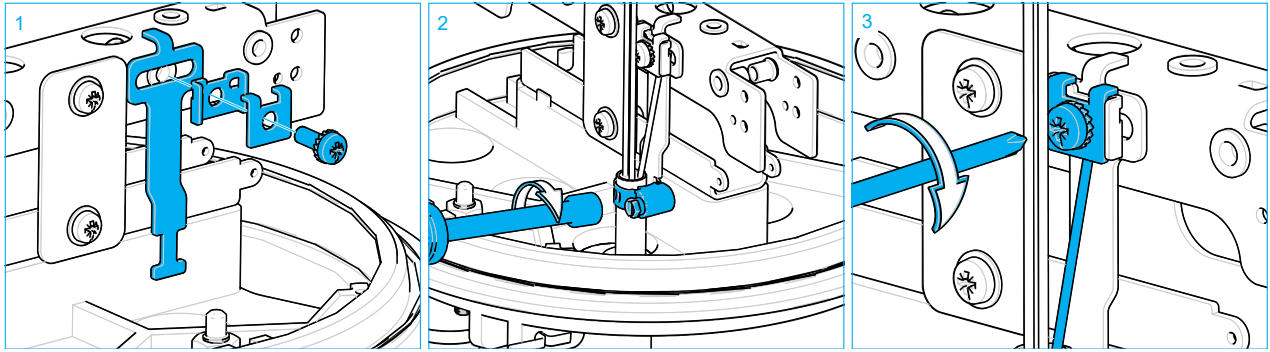
- 1 Prepare the cable as per standard practice. Cut the strength member at  $\pm 5$  cm (BX6) /  $\pm 4$  cm (FX/BX8/EDSA2) from the cable jacket.

 **Note:** The lubrication oil in the kit makes it easier to guide cables through ports in the gel seal.

- 2 Feed the cable through the gel seal. (Apply some tape at the end of the loose tubes to ensure easy feeding through the gel seal).

## 6 Install cable

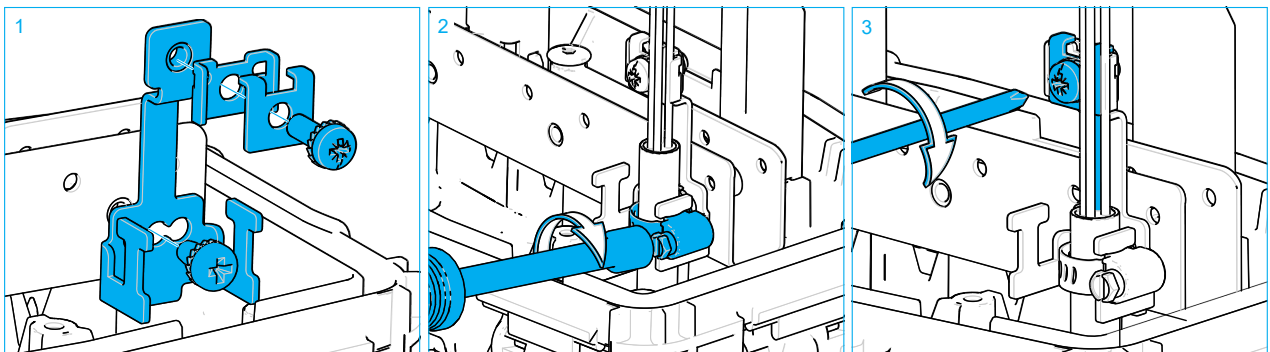
### 6.1 Install cable in BX6



- 1 Secure the metal bracket together with the 2 metal plates to the frame. Make sure that it is positioned at the center of the port. Do not tighten the screw completely.
- 2 Secure the cable jacket with the hose clamp at the T shape. Depending on the cable construction felt tape can be applied to protect the cable jacket, make sure the cable jacket is clean and oil free.
- 3 Secure the strength member between the 2 metal plates and tighten the screw. Route the loose tubes as per standard practice.

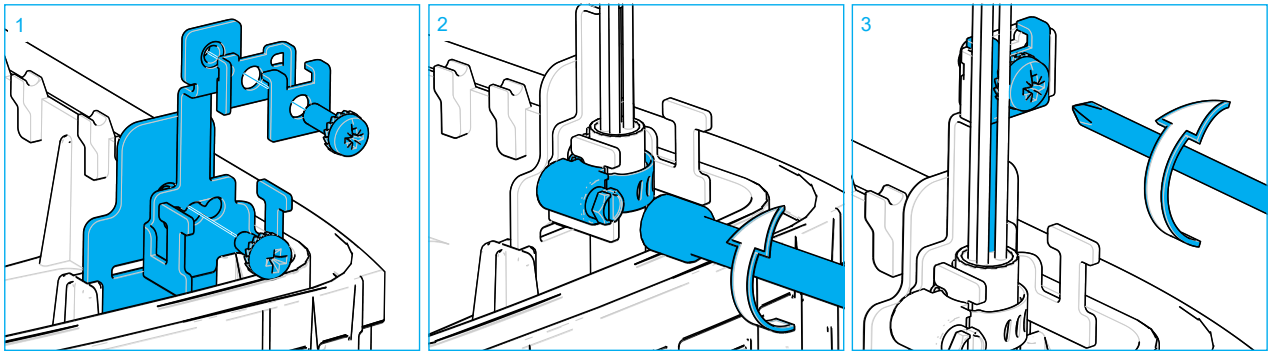
### 6.2 Install cable in BX8/FX

Start with ports 3 and 8.



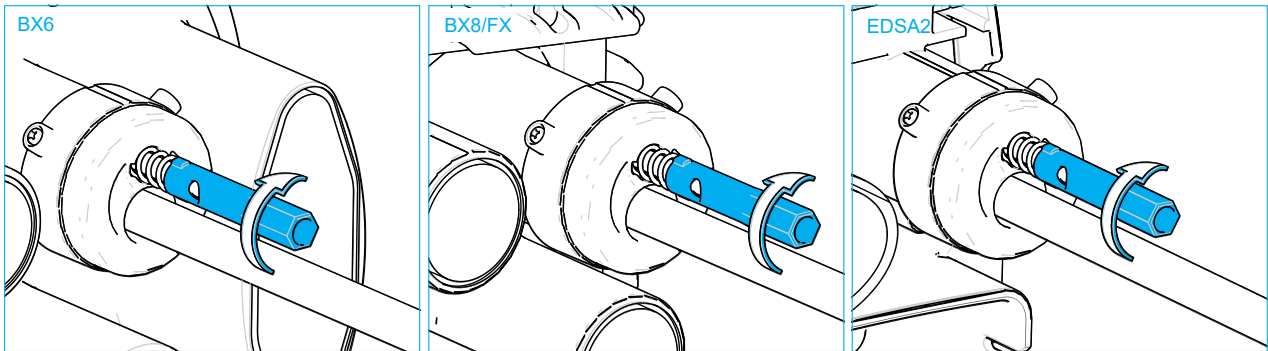
- 1 Secure the metal bracket to the frame (use the bottom hole in the frame and select the middle hole in the bracket) with the shortest screw (M5x10).
- 2 Secure the cable jacket with the hose clamps at the T shape. Depending on the cable construction felt tape can be applied to protect the cable jacket, make sure the cable jacket is clean and oil free.
- 3 Secure the strength member between the 2 metal plates and tighten the screw. Route the loose tubes as per standard practice.

### 6.3 Install cable in EDSA2




- 1 Secure the metal bracket to the frame with the shortest screw (M5x10). Use the middle hole in the bracket.
- 2 Secure the cable jacket with the hose clamps at the T shape, use the left hand T shape. Depending on the cable construction felt tape can be applied to protect the cable jacket, make sure the cable jacket is clean and oil free.
- 3 Secure the strength member between the 2 metal plates and tighten the screw. Route the loose tubes as per standard practice. Recommended is to divide the fibers that are coming from the round port in separate slots in the tube holders.

### 6.4 Activate seal mechanism



- 1 Engage the seal mechanism by tightening the 'nut' of the central bolt assembly until the spring is no longer visible and the 'nut' is flush with the gland body.

 **Note:** Depending on outside conditions, some oil bleed-out may occur. This will not affect in any way the sealing performance.

## 7 OPTIONAL: Secure cable to the outside bracket

A cable securing frame is optional available for the FIST-GC02-BX6, FIST-GC02-BX8 and the FIST-GC02-FX.