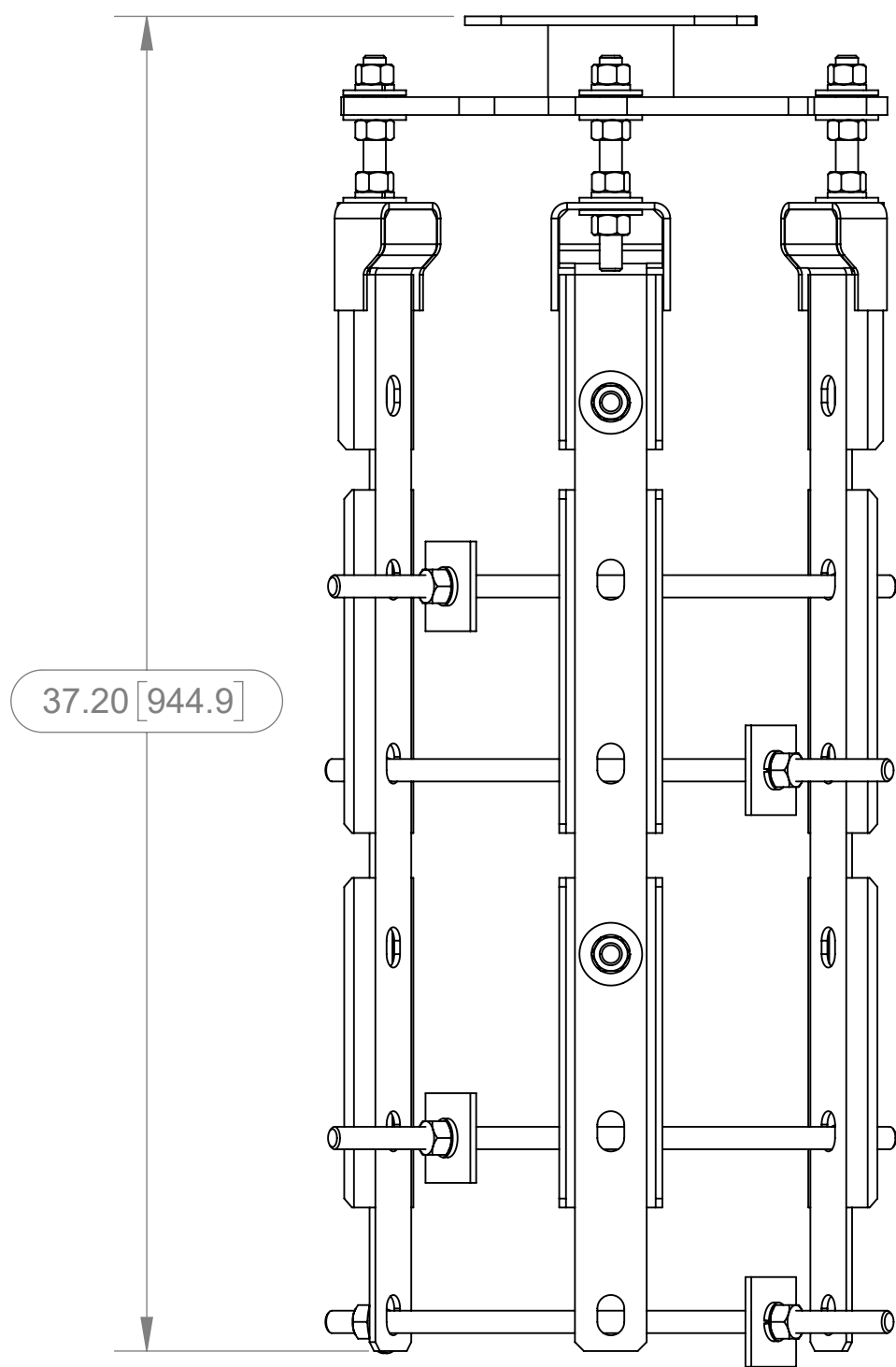
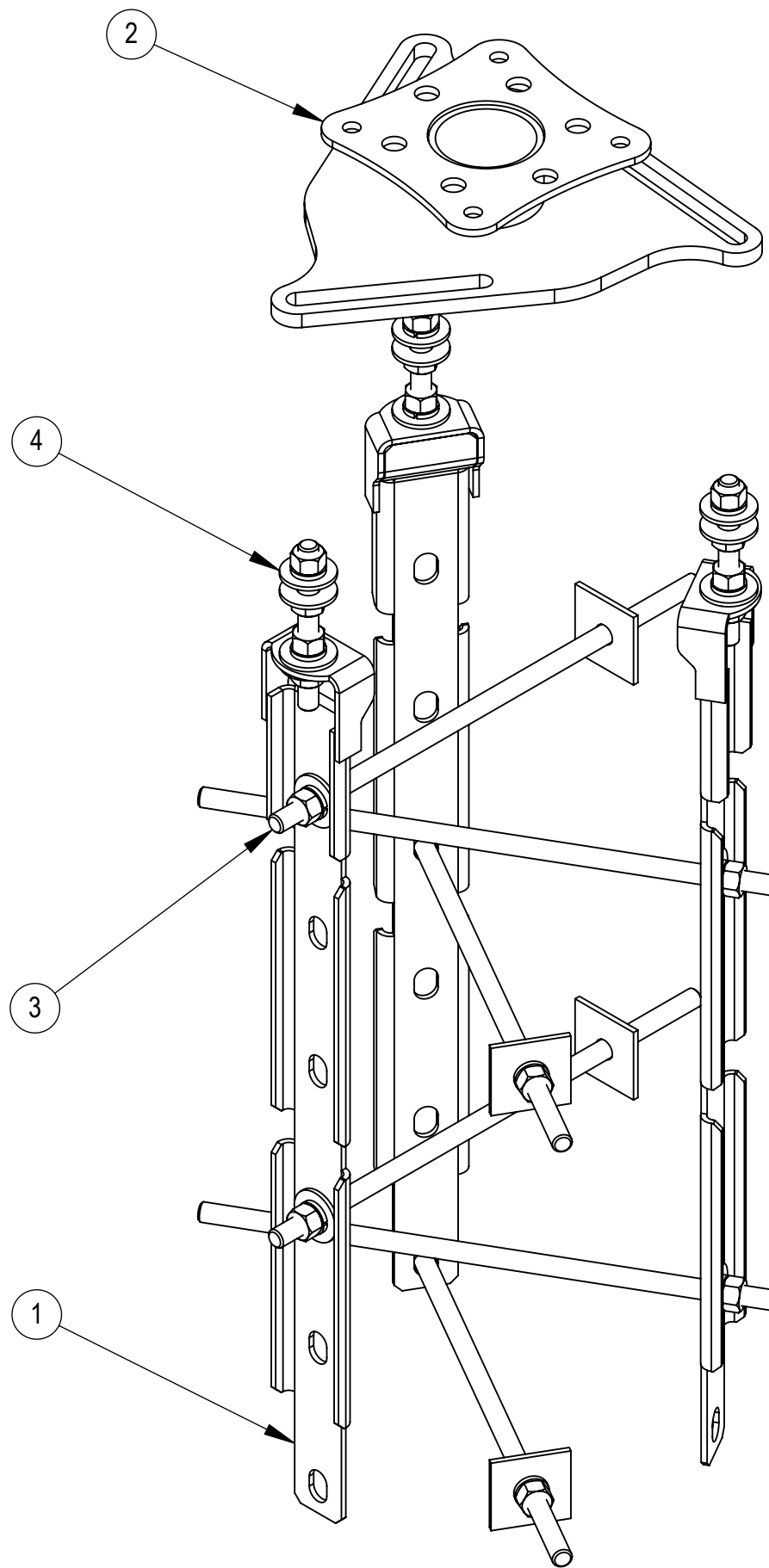
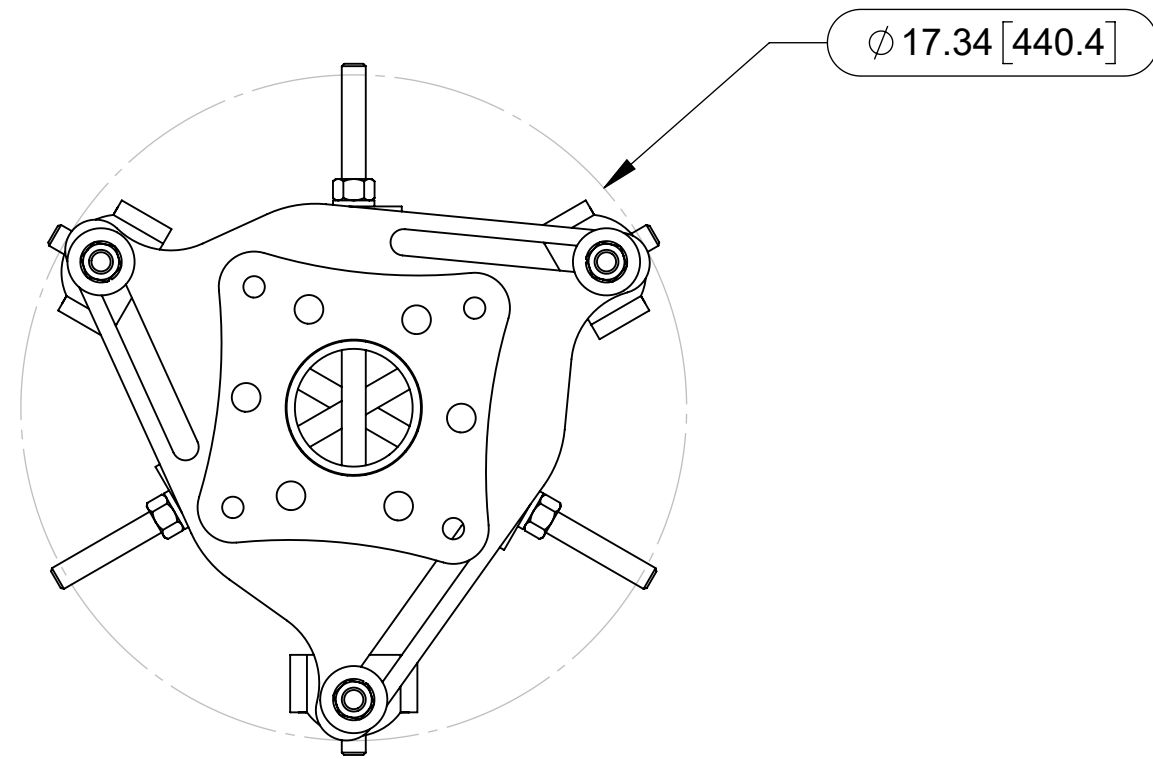


- 1. GENERAL NOTES
 - 1.1 ALL METRIC DIMENSIONS ARE IN BRACKETS [X.X]
 - 1.2 FEATURES CRITICAL TO QUALITY ARE INDICATED IN ROUNDED BOX (X.X)
- 2. DESIGN NOTES
- 3. MANUFACTURING/SPECIAL REQUIREMENTS
- 4. TEST
- 5. PACKAGING
 - 5.1 PRINT AND PLACE INSTALLATION INSTRUCTIONS IN BOX

REVISIONS				
REV.	ECN	DESCRIPTION	BY	DATE
A	8000038925	INITIAL RELEASE	GR1010	01/17/2020

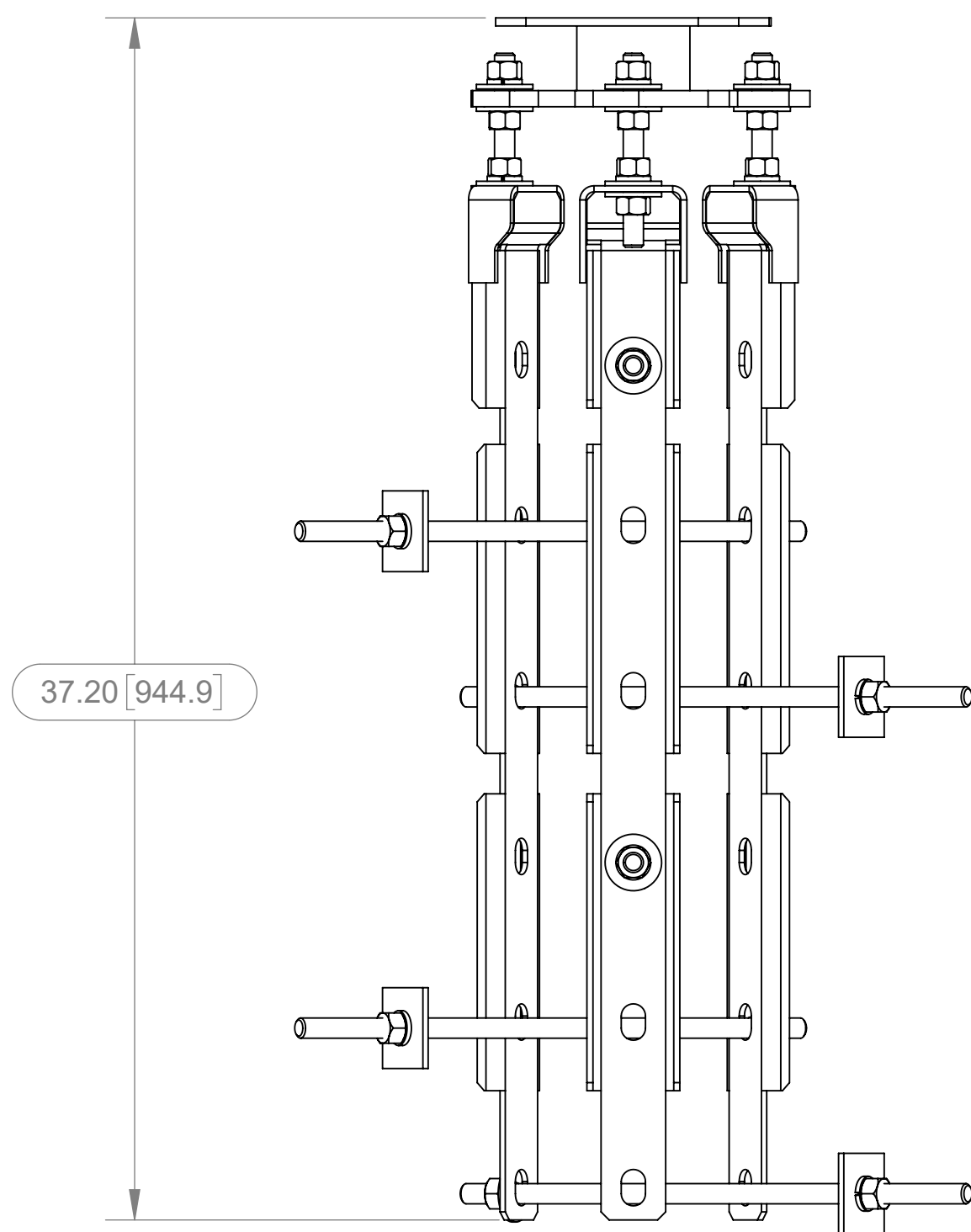
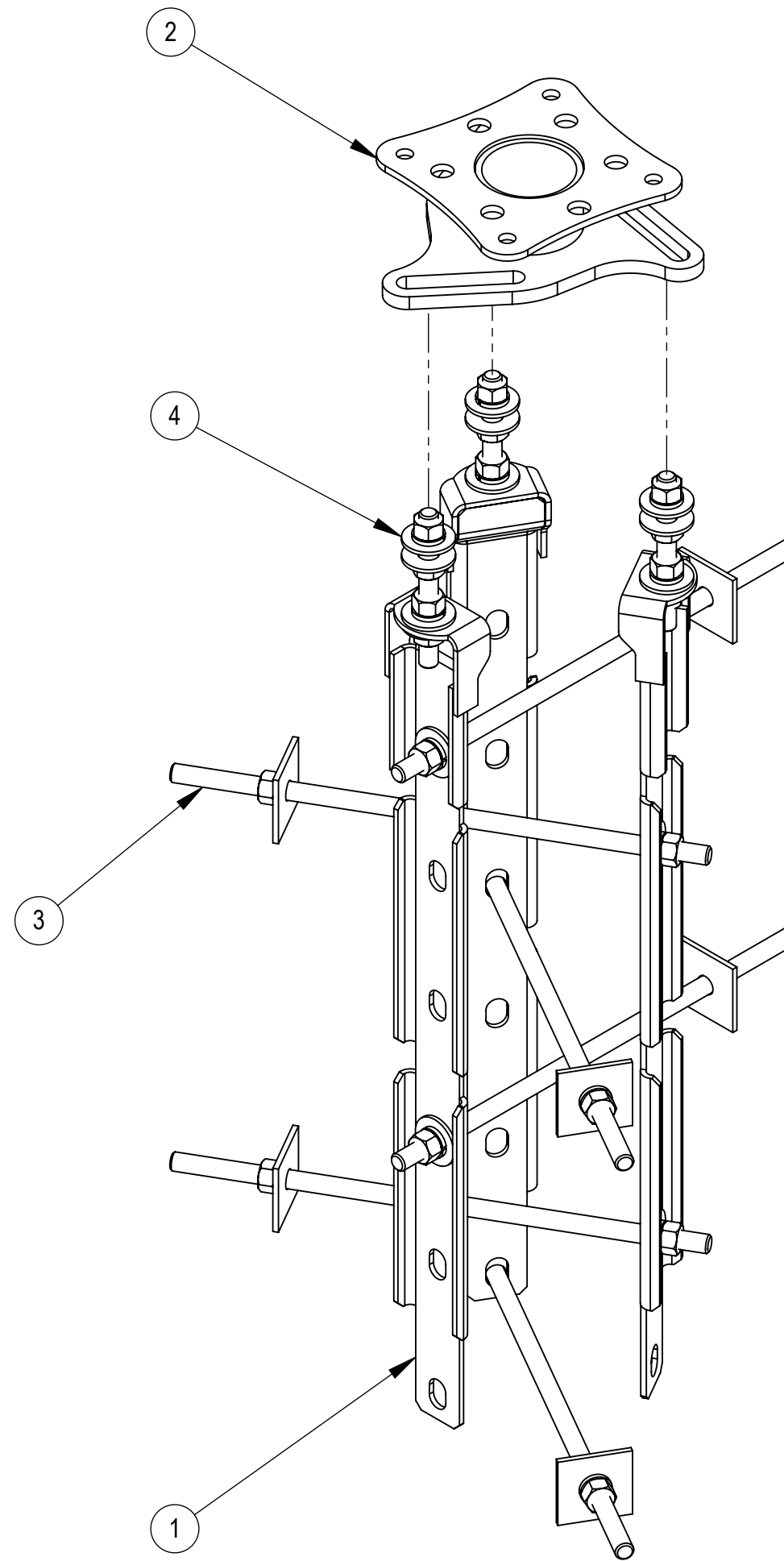
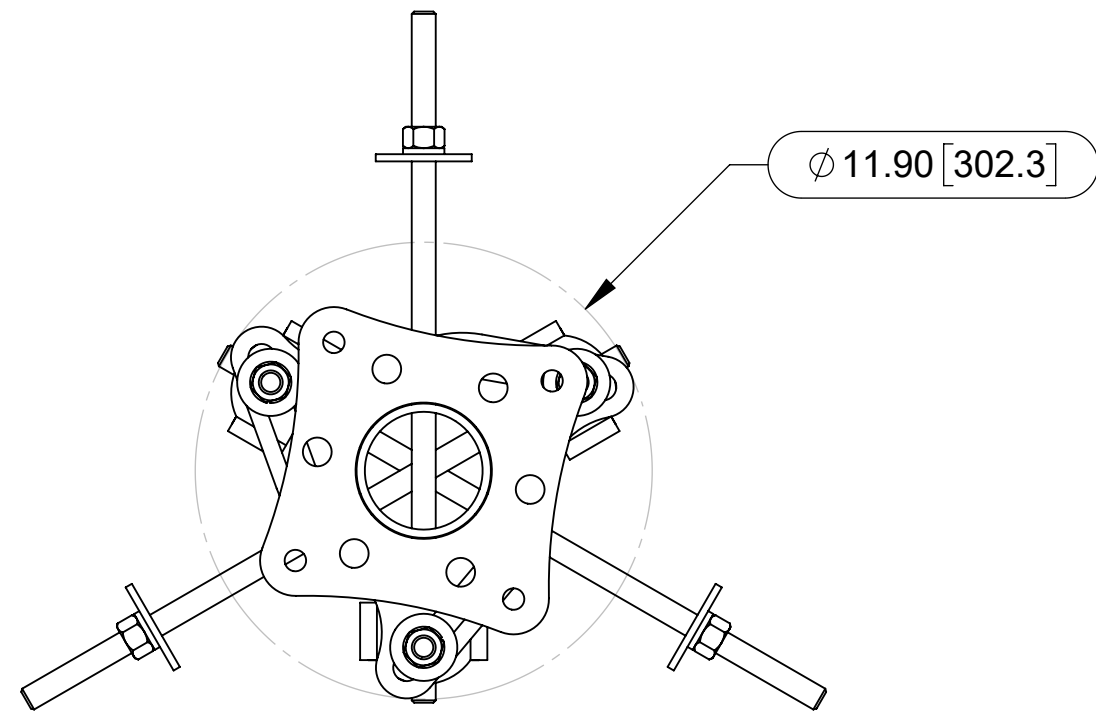


COMMScope, INC. OF NORTH CAROLINA									
TOLERANCES					SAP MATERIAL MASTER				
1 PLACE .X ± 0.2			3 PLACE .XXX ± 0.063		860636779-WP				
2 PLACE .XX ± 0.13			ANGLES ± 1°						
FINISH NONE					MATERIAL SEE BOM				
UNLESS OTHERWISE SPECIFIED DIMENSIONS ARE IN INCHES INTERPRET PER ANSI Y 14.5M-1994	CE	GR1010	01/17/2020	KIT, WP MOUNT, PIPE, PT, 8-14IN					
	RW	GR1010	02/24/2020						
	AD	JP1130	02/25/2020						
	RE	GR1010	03/02/2020						
	ECN	008000038925							
SCALE		1:5							
DOCUMENT NO.		860636779-WP							
SIZE	WORK AREA	24	MODEL			DRAWING			
C		VERSION	STATUS	REVISION	VERSION	STATUS	REVISION	SHEET	
		05	RE	C	03	RE	B	1 OF 1	

ITEM NO.	PART NUMBER	DESCRIPTION	QTY.	NOTE
1	MTM1105-1200	WELDMENT, MOUNTING RAIL	3	
2	MTM1105-1000	WELDMENT, ADAPTER, 5G SPOOL, PT, LARGE	1	
3	MTM1018PHW	METROCELL COMBO BRACKET, POLE MOUNT HARDWARE	3	
4	MTM1018LHW	KIT, HARDWARE, ADAPTER LEVELING	3	
5	860636779-INSTALL	INSTALLATION INSTRUCTIONS	1	5.1

- 1. GENERAL NOTES
 - 1.1 ALL METRIC DIMENSIONS ARE IN BRACKETS [X.X]
 - 1.2 FEATURES CRITICAL TO QUALITY ARE INDICATED IN ROUNDED BOX (X.X)
- 2. DESIGN NOTES
- 3. MANUFACTURING/SPECIAL REQUIREMENTS
- 4. TEST
- 5. PACKAGING
 - 5.1 PRINT AND PLACE INSTALLATION INSTRUCTIONS IN BOX

REVISIONS				
REV.	ECN	DESCRIPTION	BY	DATE
A	8000038925	INITIAL RELEASE	GR1010	01/17/2020



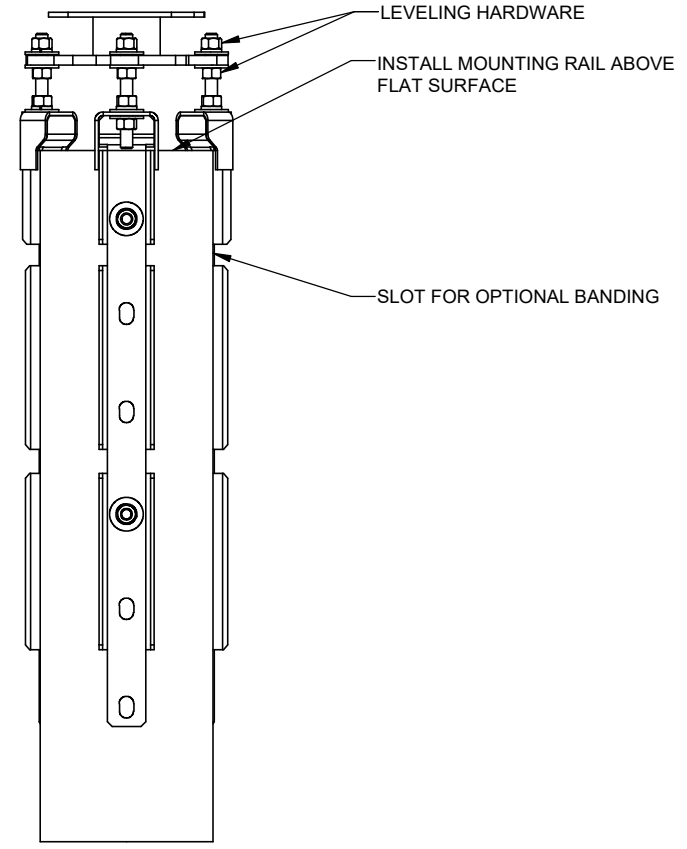
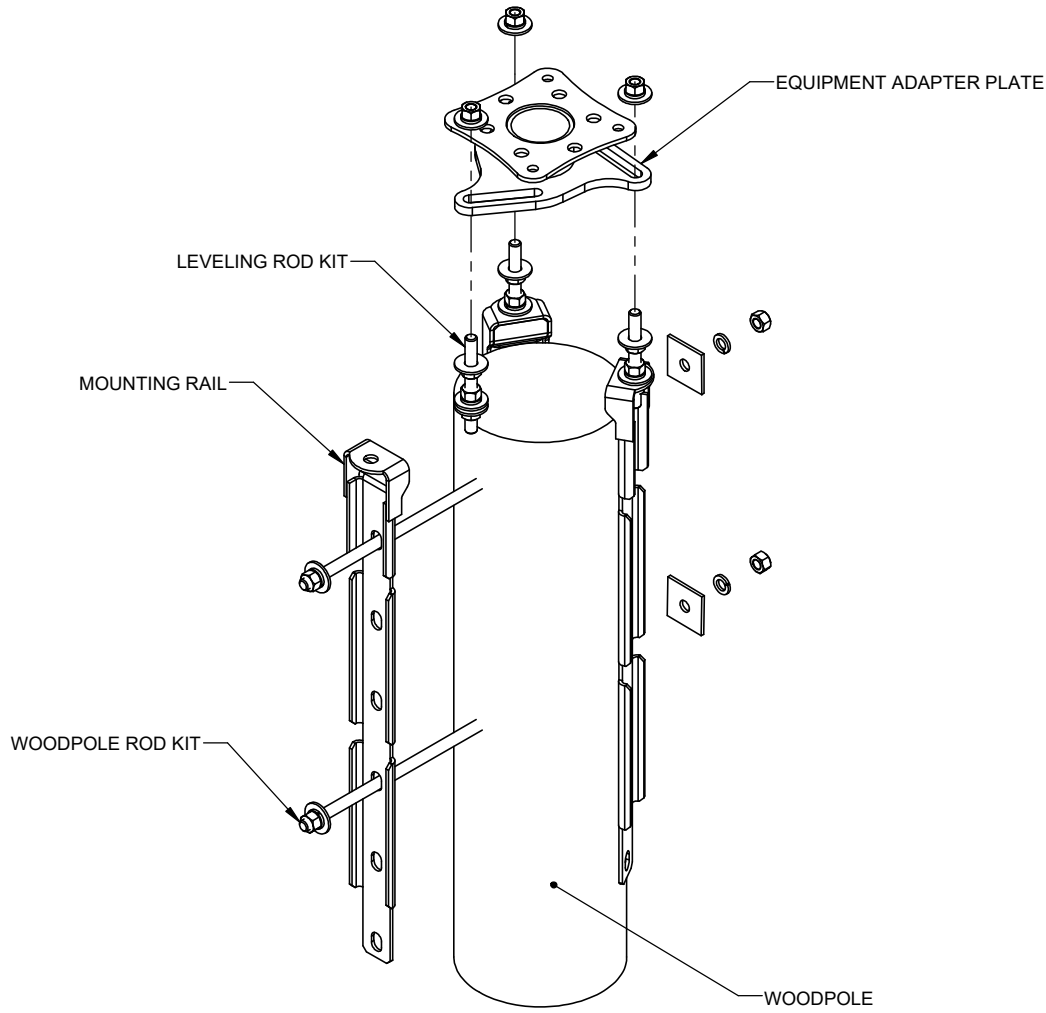
ITEM NO.	PART NUMBER	DESCRIPTION	QTY.	NOTE
1	MTM1105-1200	WELDMENT, MOUNTING RAIL	3	
2	MTM1105-1100	WELDMENT, ADAPTER, 5G SPOOL, PT, SMALL	1	
3	MTM1018PHW	METROCELL COMBO BRACKET, POLE MOUNT HARDWARE	3	
4	MTM1018LHW	KIT, HARDWARE, ADAPTER LEVELING	3	
5	860636779-INSTALL	INSTALLATION INSTRUCTIONS	1	5.1

DENSITY	41.57	lbs/in ³
MASS	157.30	lbs
VOLUME	3579.42	in ³
SURFACE AREA		in ²
HEIGHT	40.00	
LENGTH	12.45	
WIDTH	12.45	

COMMSCOPE, INC. OF NORTH CAROLINA									
TOLERANCES					SAP MATERIAL MASTER				
1 PLACE .X ± 0.2		3 PLACE .XXX ± 0.063			860636779-WP2				
2 PLACE .XX ± 0.13		ANGLES ± 1°							
FINISH NONE					MATERIAL SEE BOM				
UNLESS OTHERWISE SPECIFIED DIMENSIONS ARE IN INCHES INTERPRET PER ANSI Y 14.5M-1994	CE	GR1010	01/17/2020	KIT, WP MOUNT, PIPE, PT, 5-9IN					
	RW	GR1010	02/24/2020						
	AD	JP1130	02/25/2020						
	RE	GR1010	03/02/2020						
	ECN	008000038925							
SCALE		DOCUMENT NO.			860636779-WP2				
1:5									
SIZE	WORK AREA	24	MODEL			DRAWING			
C		VERSION	STATUS	REVISION	VERSION	STATUS	REVISION	SHEET	
		05	RE	C	04	RE	B	1 OF 1	

RAIL & ADAPTER PLATE INSTALL

REVISIONS				
REV.	ECN	DESCRIPTION	BY	DATE
A	8000039210	INITIAL RELEASE	GR1010	01/30/2020



1. INSTALL MOUNTING RAILS 120° APART
2. CUT WOODPOLE RODS TO LENGTH
3. INSTALL LEVELING ROD KIT
4. INSTALL ADAPTER PLATE AND LEVEL FOR EQUIPMENT

COMMSCOPE, INC. OF NORTH CAROLINA

TOLERANCES		SAP MATERIAL MASTER	
1 PLACE .X ±	3 PLACE .XXX ±	860636779-INSTALL	
2 PLACE .XX ±	ANGLES ±		
FINISH N/A		MATERIAL N/A	
UNLESS OTHERWISE SPECIFIED DIMENSIONS ARE IN INCHES INTERPRET PER ANSI Y13.91-1994		NAME	DATE
CE	GR1010	01/30/2020	TITLE
RW			INSTALLATION INSTRUCTIONS FOR 860636779
RV			
AD			
RE			
ECN 008000039210		SCALE	DOCUMENT NO.
		1:5	860636779-INSTALL
SIZE	WORK AREA	24	MODEL
C		VERSION	STATUS
		00	CE
		REVISION	VERSION
		00	CE
		DRAWING	REVISION
		00	CE
			SHEET
			1 OF 2

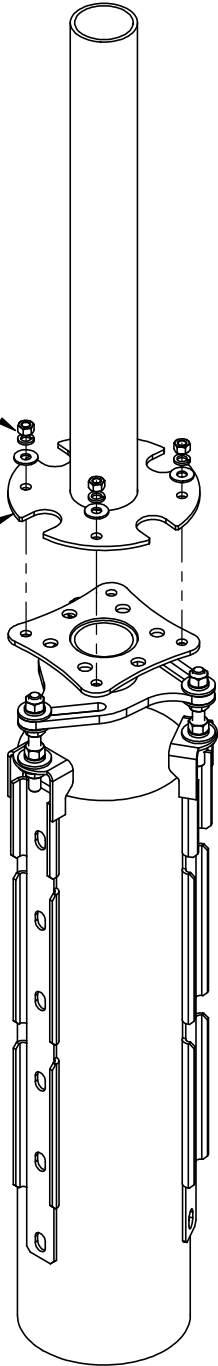
DENSITY	lbs/in ³
MASS	127.36 lbs
VOLUME	2783.38 in ³
SURFACE AREA	7471.43 in ²
HEIGHT	
LENGTH	
WIDTH	

5G SPOOL INSTALL

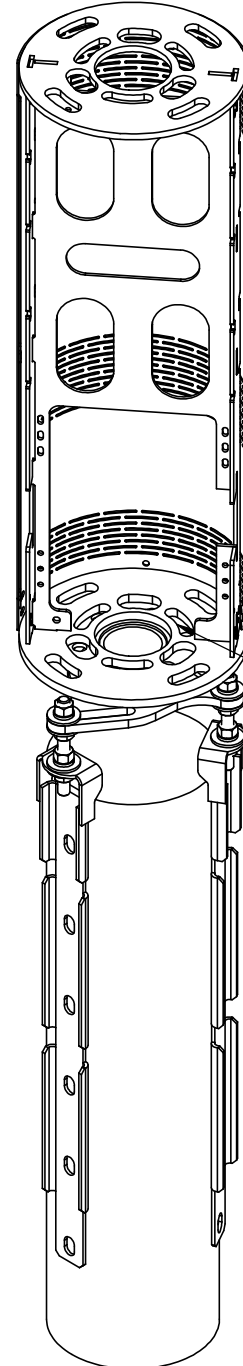
12 OR 18 INCH POLE TOP INSTALL

INSTALL USING
5G SPOOL HARDWARE

5G SPOOL



1. INSTALL 5G SPOOL USING HARDWARE 4X



12 OR 18 INCH
POLE TOP

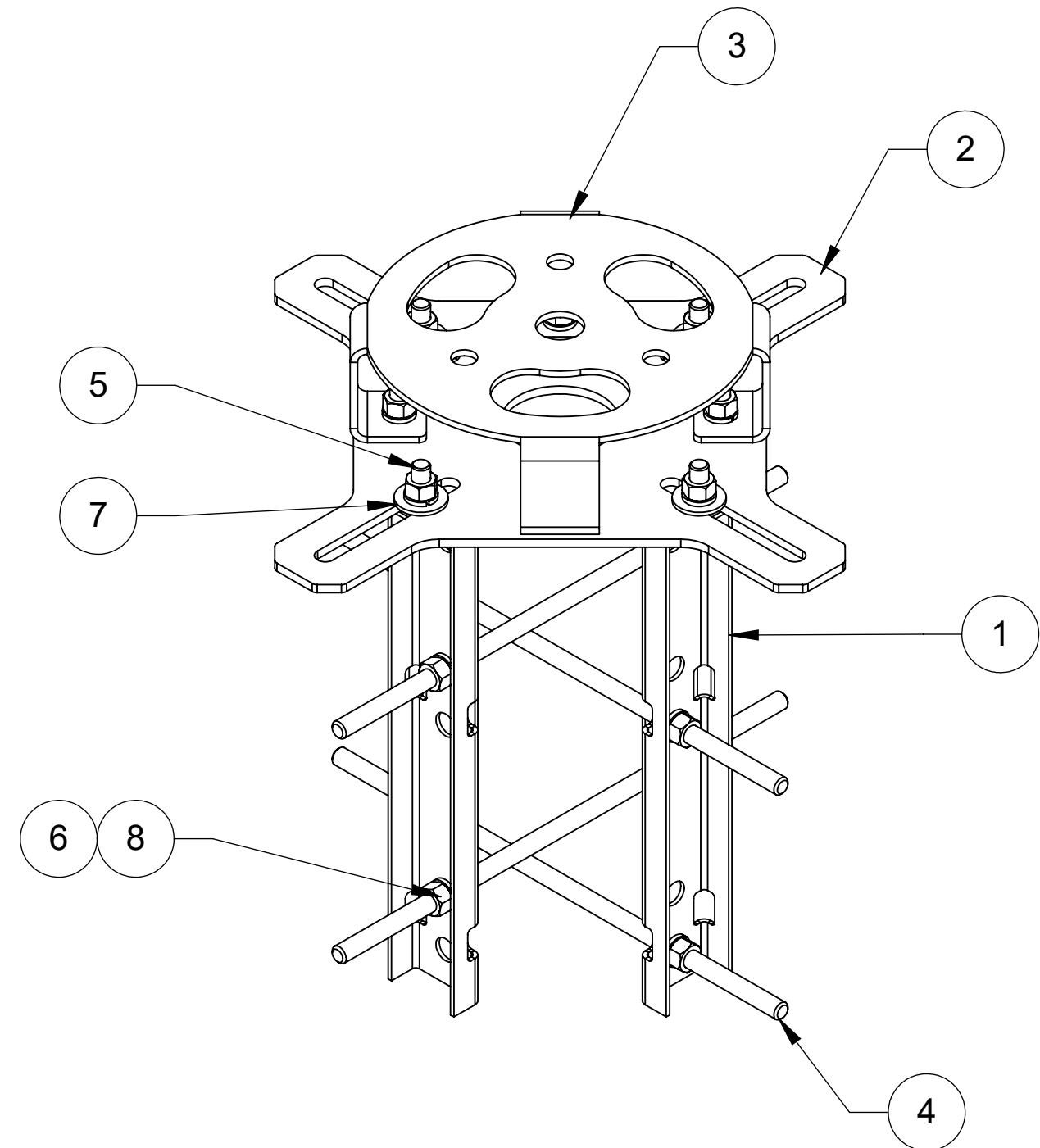
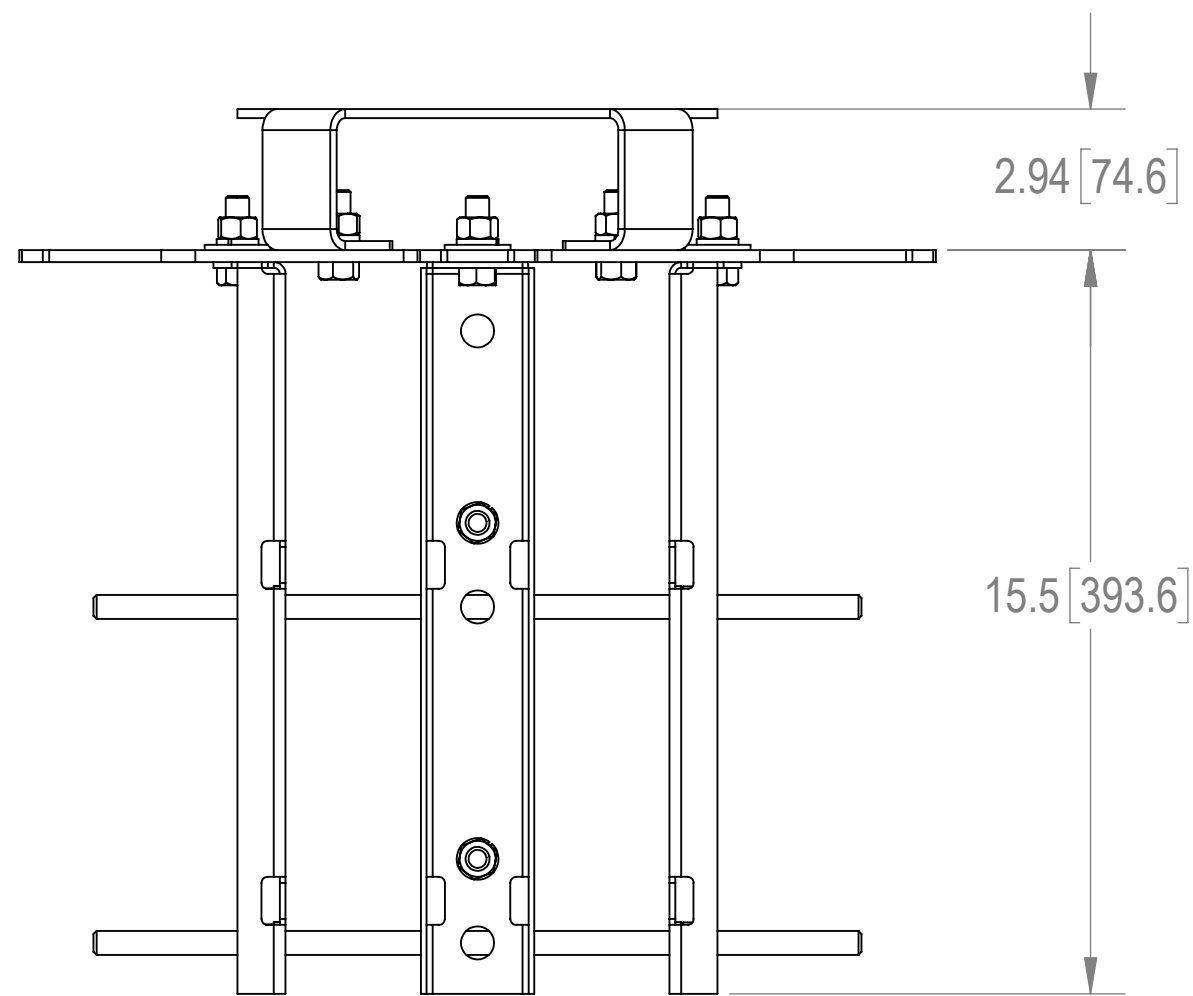
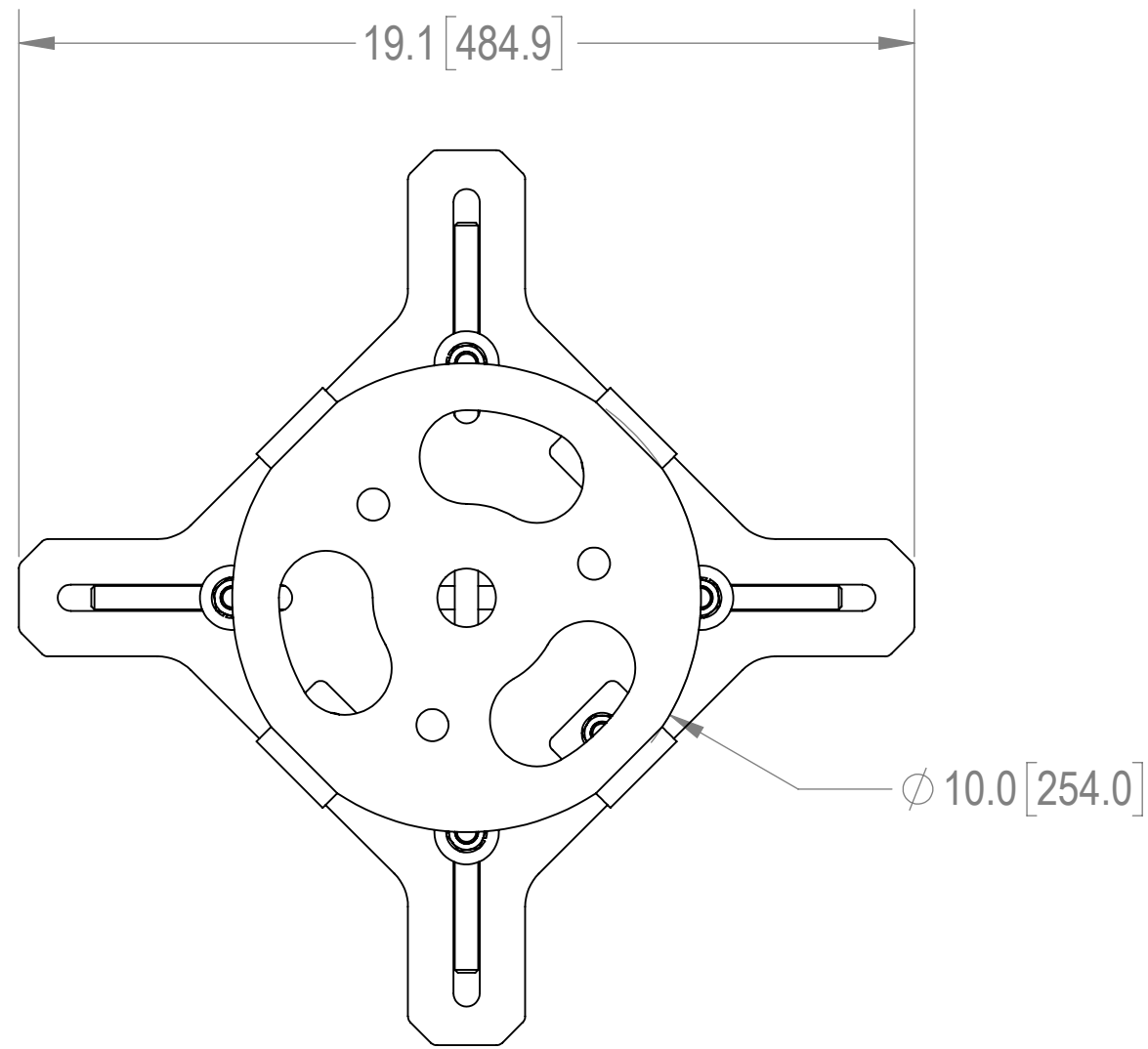
INSTALL USING POLE TOP HARDWARE

1. INSTALL POLE TOP USING HARDWARE 3X

COMMSCOPE, INC. OF NORTH CAROLINA				
TITLE				
INSTALLATION INSTRUCTIONS FOR 860636779				
SIZE	SCALE	DOCUMENT NO.		
C	1:5	860636779-INSTALL		
DRAWING				SHEET
VERSION	STATUS	REVISION	2 OF 2	
00	CE			

NOTES: 1.0 ALL METRIC DIMENSIONS ARE IN BRACKETS.
 2.0 FITS WOOD POLES 8"-14" OD.

REVISIONS				
REV.	ECN	DESCRIPTION	BY	DATE
A	8000043893	INITIAL RELEASE	MJP	11/16/2020



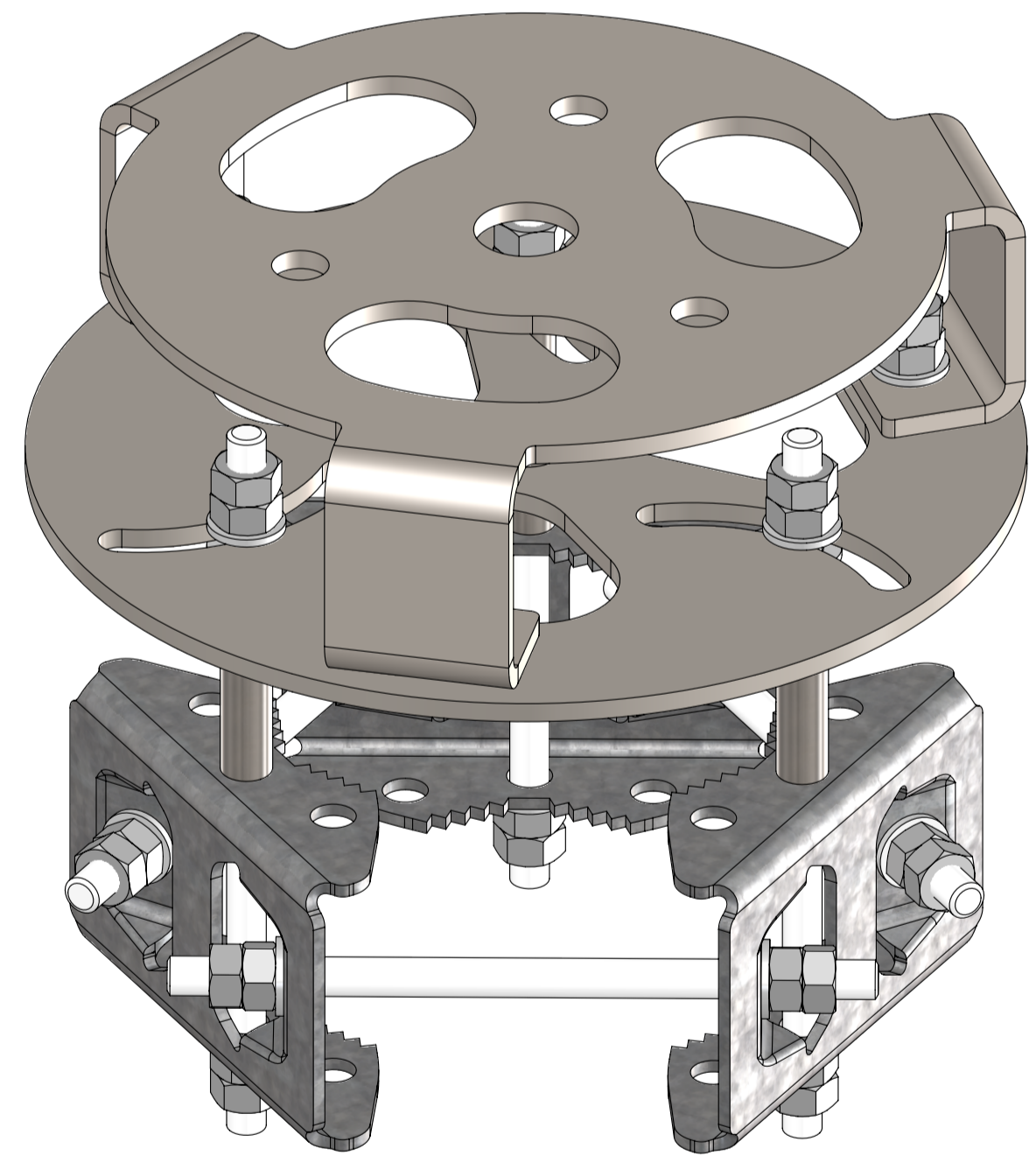
ITEM	PART NO.	DESCRIPTION	QTY.	WEIGHT	NOTE NO.
1	MTC398613	BRACKET, POLE MOUNT	4	1.93 LBS	
2	MTC398612	WOOD POLE TOP SLIDE PLATE	1	8.29 LBS	
3	MTC398611	ANTENNA MOUNT BRACKET	1	4.92 LBS	
4	MT37916	1/2" X 16" GALV THREADED ROD	4	0.88 LBS	
5	GB-04145	1/2" X 1-1/2" GALV BOLT KIT	8	0.13 LBS	
6	GWL-04	1/2" GALV LOCK WASHER	8	0.01 LBS	
7	GWF-04	1/2" GALV FLAT WASHER	4	0.04 LBS	
8	HNUT 0.5000-13-D-N	1/4" GALV HEX NUT	8	0.08 LBS	

COMMSCOPE, INC. OF NORTH CAROLINA										
TOLERANCES					SAP MATERIAL MASTER					
0 PLACE X ± .25		2 PLACE .XX ± .06			860660194-WP1					
1 PLACE X ± .12		ANGLES ± 2°								
FINISH					MATERIAL					
N/A					A36					
WOOD POLE MOUNT, 8" - 14"										
UNLESS OTHERWISE SPECIFIED DIMENSIONS ARE IN MILLIMETERS INTERPRET PER ISO STANDARDS HANDBOOK TECHNICAL DRAWINGS VOLUMES 1 & 2, THIRD EDITION (2002)		NAME	DATE	TITLE						
CE				WOOD POLE MOUNT, 8" - 14"						
RW										
RV										
AD										
RE		08/09/17		SCALE	DOCUMENT NO.					
ECN 008000043893				1:4	860660194-WP1					
HEIGHT		SIZE	WORK AREA 24	MODEL			DRAWING			SHEET
LENGTH		C		VERSION	STATUS	REVISION	VERSION	STATUS	REVISION	1 OF 1
WIDTH				01	IW		01	IW	A	

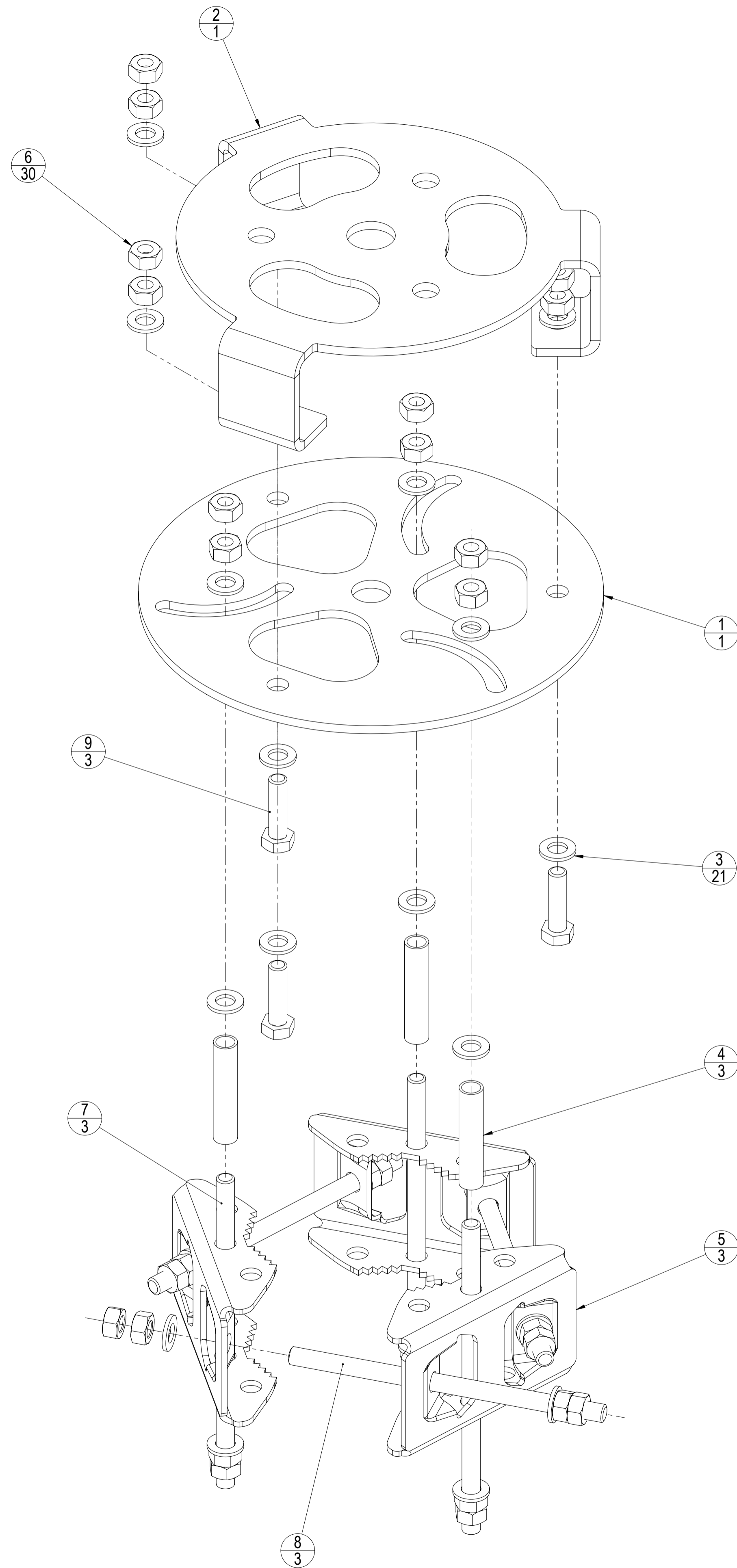
NOTES:

1. ALL DIMENSIONS ARE IN INCHES (MILLIMETERS).

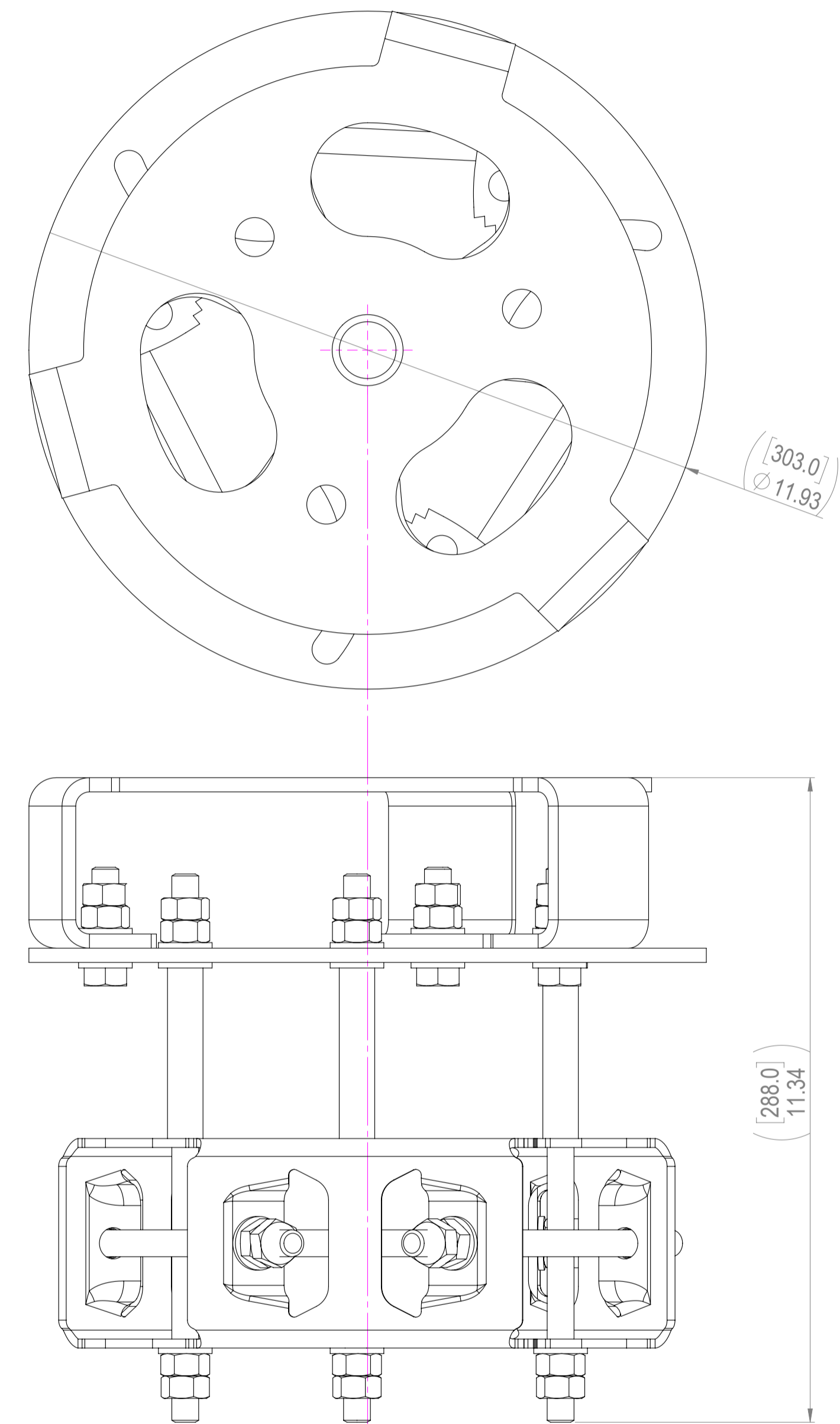
REV.	ECN	DESCRIPTION	BY	DATE
A	8000031061	INITIAL RELEASE	WJW	06-AUG-2018



POLE TOP MOUNTING KIT - SHOWN FULLY ASSEMBLED



POLE TOP MOUNTING KIT - EXPLODED VIEW



ITEM NO.	PART NUMBER	DESCRIPTION	QTY
1	860644741	MC TOP MOUNTING PLATE	1
2	860644742	ANTENNA MOUNT BRACKET, TRIPOD	1
3	100521-47	WSHR,FLAT,M12,13X28X2.5,STL,GALV	21
4	600679-4	SPACER TUBE	3
5	626852-1	PIPE CLAMP BRACKET,150X93.6X52MM	3
6	100526-45	NUTS,HEX,M12,STL,GALV	30
7	100555-81	STUD,THREADED,M12-1.75,245,STL,GALV	3
8	100555-82	STUD,THREADED,M12-1.75,215,STL,GALV	3
9	100534-265	SCR,HCS,HEX,M12X45,STL,GALV	3

COMMSCOPE, INC. OF NORTH CAROLINA

TOLERANCES		SAP MATERIAL MASTER
0 PLACE X ±	2 PLACE XX ±	860636779-1
1 PLACE X ±	ANGLES ±	

FINISH N/A	MATERIAL SEE BOM
---------------	---------------------

NAME	DATE	TITLE
CE WJW	07/23/2018	POLE TOP MTG KIT, 3.5" - 6" METAL POLE
RW KM1068	08/29/2018	
RV		
AD RD1048	10/05/2018	
RE RD1048	10/05/2018	
ECN 000007038412		SCALE DOCUMENT NO. 1:2 860636779-1

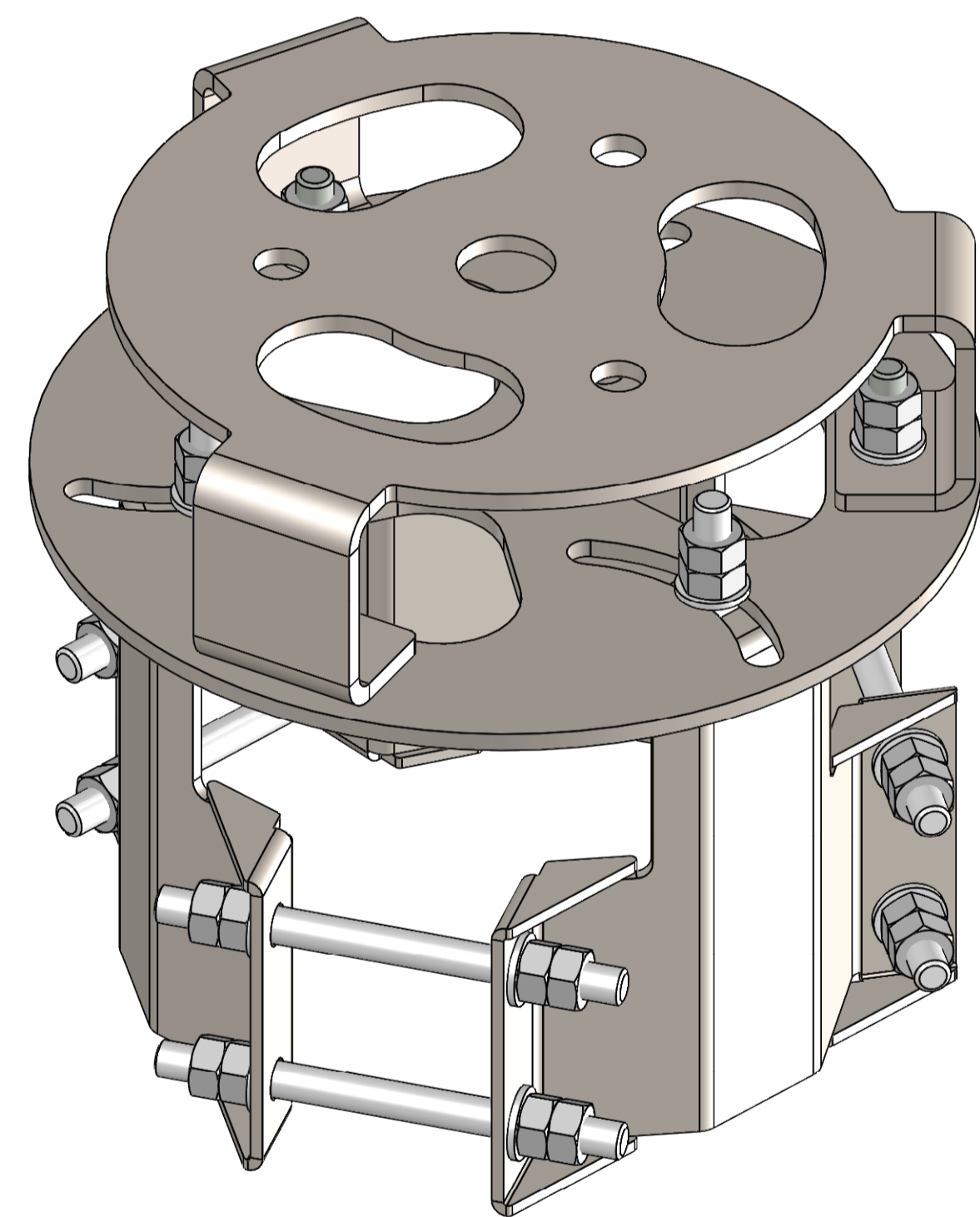
DENSITY	g/mm ³
MASS	20.490 grams
VOLUME	72.230 mm ³
SURFACE AREA	798.064 mm ²
HEIGHT	
LENGTH	
WIDTH	

SIZE	WORK AREA	24	MODEL	REVISION	VERSION	STATUS	REVISION	VERSION	STATUS	REVISION	SHEET
A1				00	00	RE	A	00	RE	A	1 OF 1

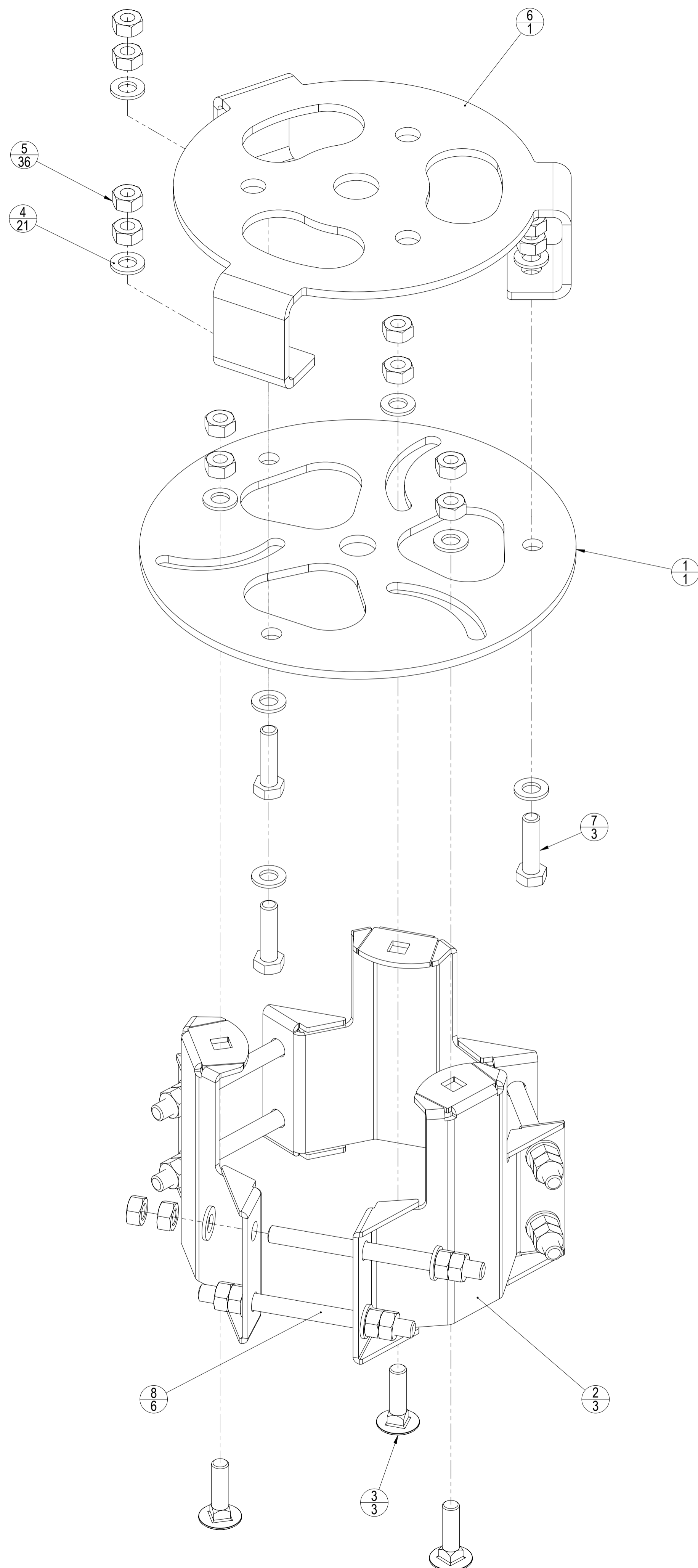
NOTES:

1. DIMENSIONS ARE IN INCHES [MILLIMETERS].

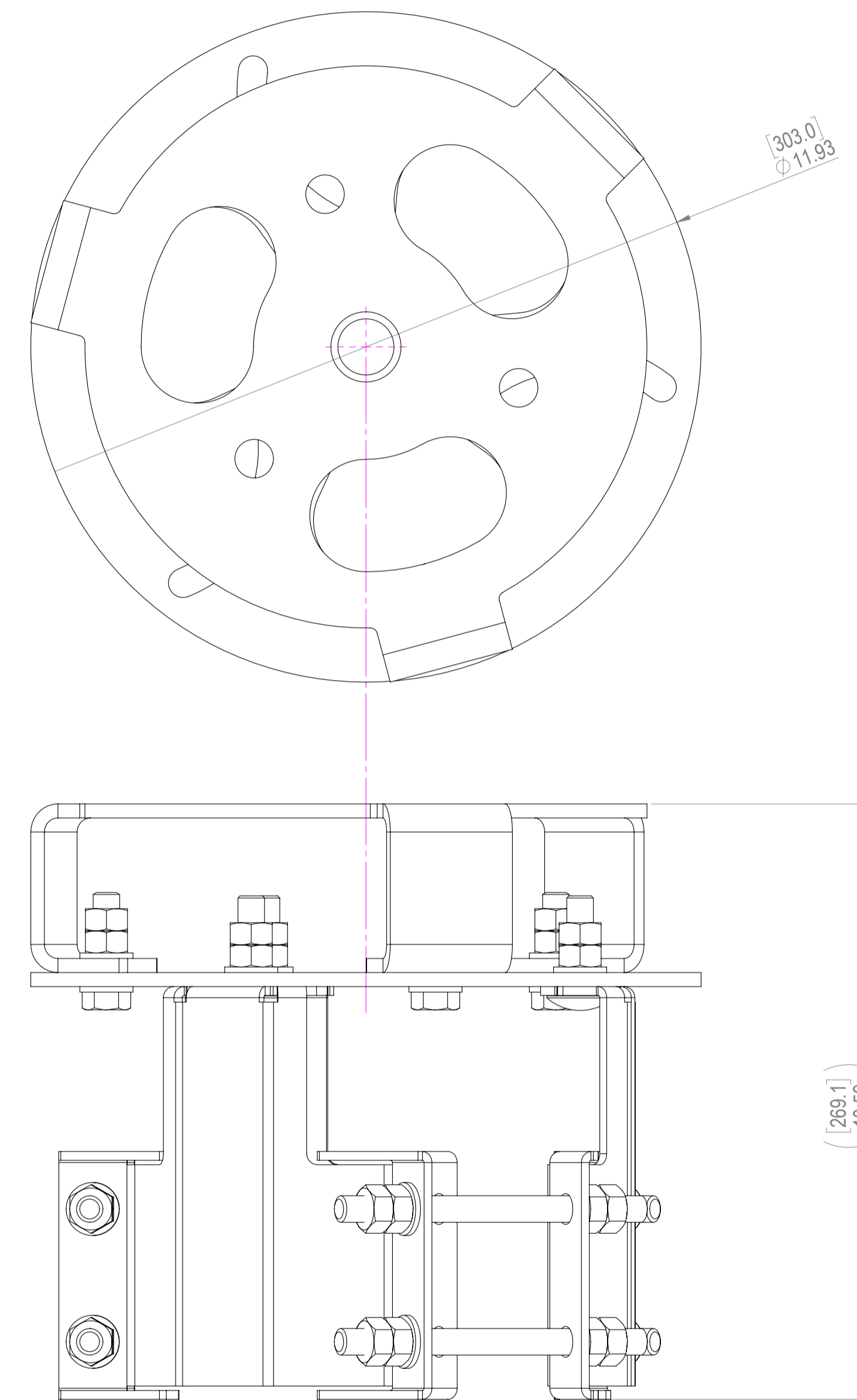
REV.	ECN	DESCRIPTION	BY	DATE
A	8000031061	INITIAL RELEASE	WJW	14-AUG-2018



POLE TOP MOUNTING KIT - SHOWN FULLY ASSEMBLED



POLE TOP MOUNTING KIT - EXPLODED VIEW



ITEM NO.	PART NUMBER	DESCRIPTION	QTY.
1	860644741	MC TOP MOUNTING PLATE	1
2	860644740	PIPE CLAMP BRACKET, 1.50X93.6X52MM	3
3	100936-11	BOLT, CARRIAGE, M12X45, STL, GALV	3
4	100521-47	WSHR, FLAT, M12, 13X28X2.5, STL, GALV	21
5	100526-45	NUTS, HEX, M12, STL, GALV	36
6	860644742	ANTENNA MOUNT BRACKET, TRIPOD	1
7	100534-265	SCR, HCS, HEX, M12X45, STL, GALV	3
8	100555-14	STUD, THREADED, M12, 155, STL, GALV	6

COMMSCOPE, INC. OF NORTH CAROLINA

TOLERANCES
 0 PLACE X ± 2 PLACE XX ±
 1 PLACE X ± ANGLES ±

SAP MATERIAL MASTER
860636779-2

FINISH: N/A MATERIAL: SEE BOM

REV	NAME	DATE	TITLE
CE	WJW	08/03/2018	POLE TOP MOUNG KIT, 6" - 9.5" METAL POLE
RW	KM1068	08/29/2018	
RV			
AD	RD1048	10/05/2018	SCALE: 1:2 DOCUMENT NO. 860636779-2
RE	RD1048	10/05/2018	
ECN	000007038412		

PROPERTY	VALUE	UNIT
DENSITY	21.407	g/mm ³
MASS	82.313	grams
VOLUME	922.994	mm ³
SURFACE AREA		mm ²

SIZE	WORK AREA	MODEL	VERSION	REVISION	VERSION	REVISION	SHEET
A1	24		00	RE	A	00	1 OF 1

4

3

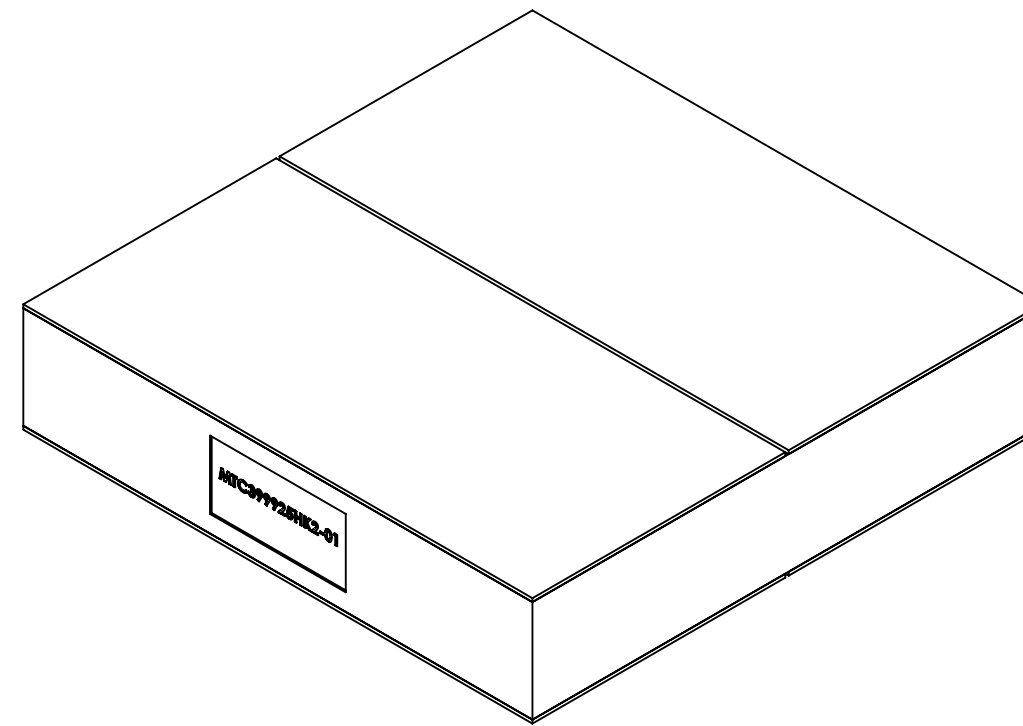
2

1

NOTES:

- 1.0 GENERAL NOTES
 - 1.1 ALL METRIC DIMENSIONS ARE IN BRACKET
- 2.0 DESIGN NOTES
 - 2.1 FULL RANGE MAX. 13 1/2" AND MIN. 6"
- 3.0 MANUFACTURING/SPECIAL REQUIREMENTS
- 4.0 TEST
- 5.0 PACKAGING
 - 5.1 PLACE ALL LOOSE HARDWARE IN POLYBAG.
 - 5.2 INSERT DRAWINGS # 860636779-3

REVISIONS				
REV.	ECN	DESCRIPTION	BY	DATE
A	8000033763	INITIAL RELEASE	JE1043	1/30/2019
B	8000040622	CORRECTED DRAWING TITLE	BL1053	5/6/2020
C	8000044500	BOX ITEM 8000 BX7 WAS ITEM 7 BX14146; ADJUSTED ITEM NO. SEQUENCE FROM ITEM 7.	HDAI	12/24/2020



ITEM NO.	PART NUMBER	DESCRIPTION	WEIGHT	QTY.
1	MTM104801	MC TOP MOUNTING PLATE	10.78 LBS	1
2	MTM104802	PIPE CLAMP BRKT	2.97 LBS	3
3	MTM104803	ANTENNA MOUNT BRACKET, TRIPOD	6.33 LBS	1
4	MTF154402	3/8" X 1" GALV SHORT SHANK CARRIAGE BOLT	0.04 LBS	3
5	GB-03105	3/8" X 1" GALV BOLT KIT	0.05 LBS	3
6	MT-377	3/8" X 12" GALV THREADED ROD	0.37 LBS	6
7	GWL-03	3/8" GALV LOCK WASHER	0.01 LBS	20
8	GN-03	3/8" GALV HEX NUT	0.02 LBS	32
9	GWF-03	3/8" GALV FLAT WASHER	0.01 LBS	20
8000	BX7	15X15X3 KRAFT BOX	0.76 LBS	1

COMMSCOPE, INC. OF NORTH CAROLINA										
TOLERANCES					SAP MATERIAL MASTER					
1 PLACE .X ± 0.125			3 PLACE .XXX ± 0.020		860636779-3					
2 PLACE .XX ± 0.060			ANGLES ± 0.5°							
FINISH GALV A123					MATERIAL N/A					
UNLESS OTHERWISE SPECIFIED DIMENSIONS ARE IN INCHES INTERPRET PER ANSI Y 14.5M-1994	NAME		DATE		METAL POLE TOP MOUNTING KIT, 8.5-12" OD					
	CE	JE1043	01/30/2019							
	RW	HDAI	12/23/2020							
	AD	HDAI	12/24/2020							
	RE	ROGHANSON	12/28/2020							
ECN 008000044500					SCALE 1:4		DOCUMENT NO. 860636779-3			
SIZE		WORK AREA 24		MODEL			DRAWING			SHEET 1 OF 3
C				VERSION	STATUS	REVISION	VERSION	STATUS	REVISION	
				04	RE	C	04	RE	C	

DENSITY	0.012	lbs/in³
MASS	0.764	lbs
VOLUME	62.178	in³
SURFACE AREA		in²
HEIGHT	10.34	
LENGTH	14.00	
WIDTH	10.34	

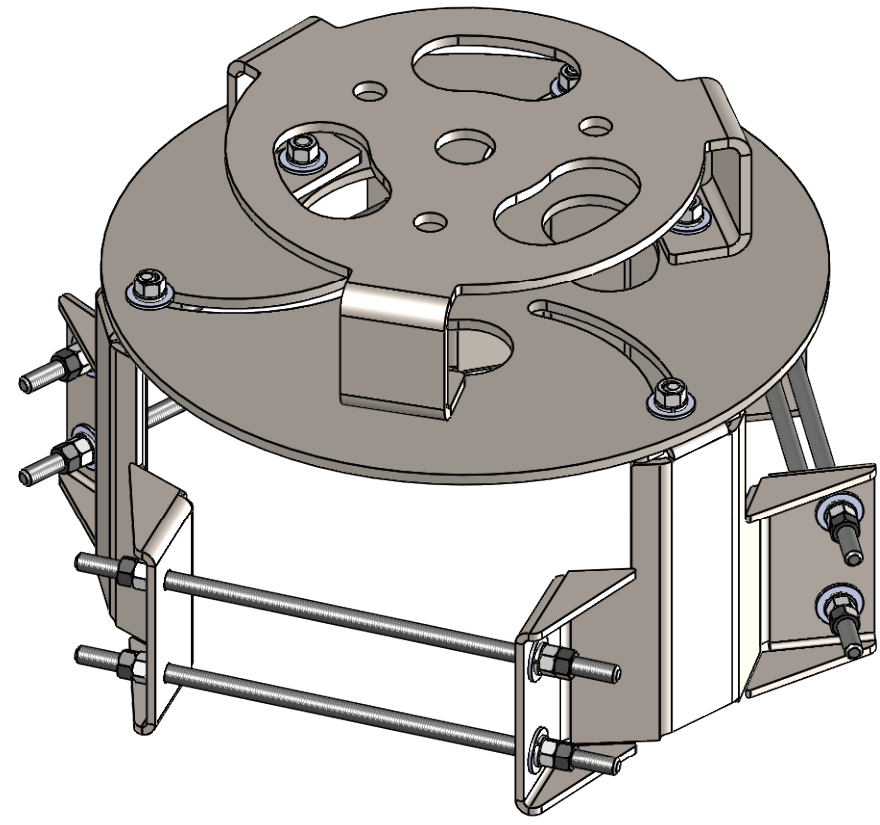
4

3

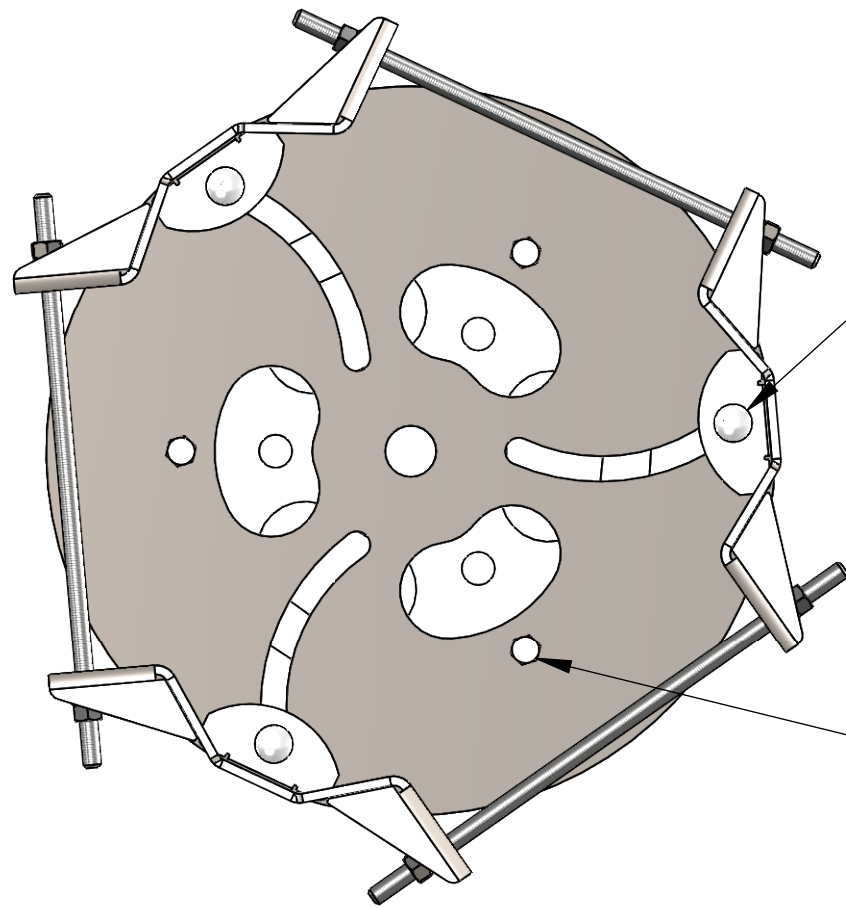
2

1

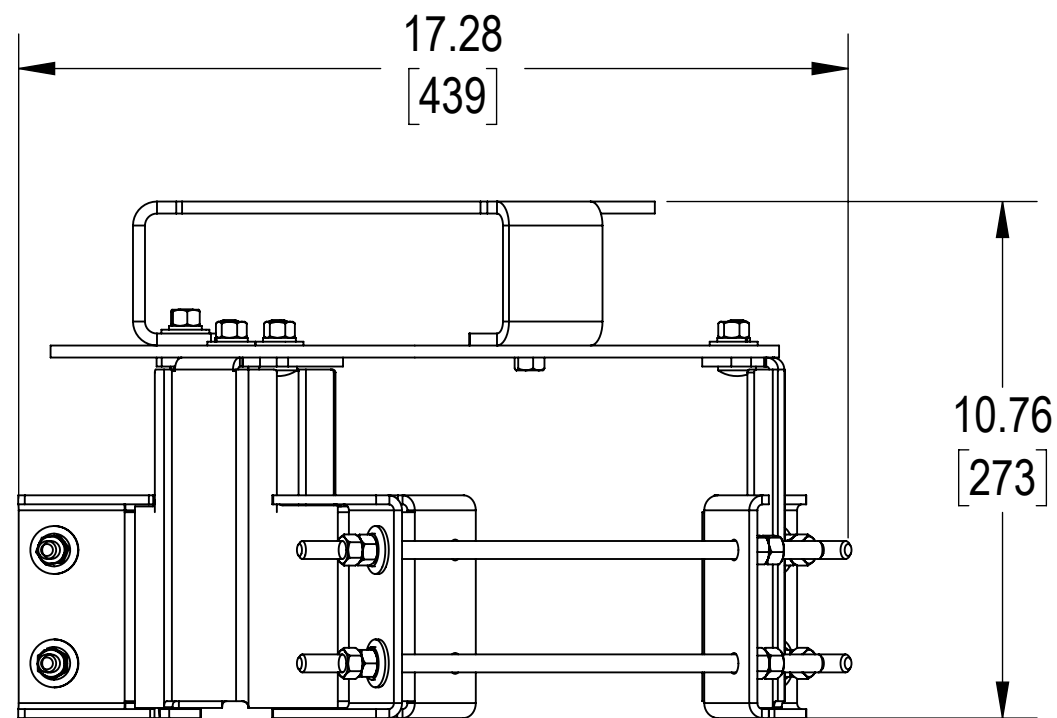
NOTES:



POLE TOP MOUNTING KIT - SHOWN FULLY ASSEMBLED
ISO VIEW

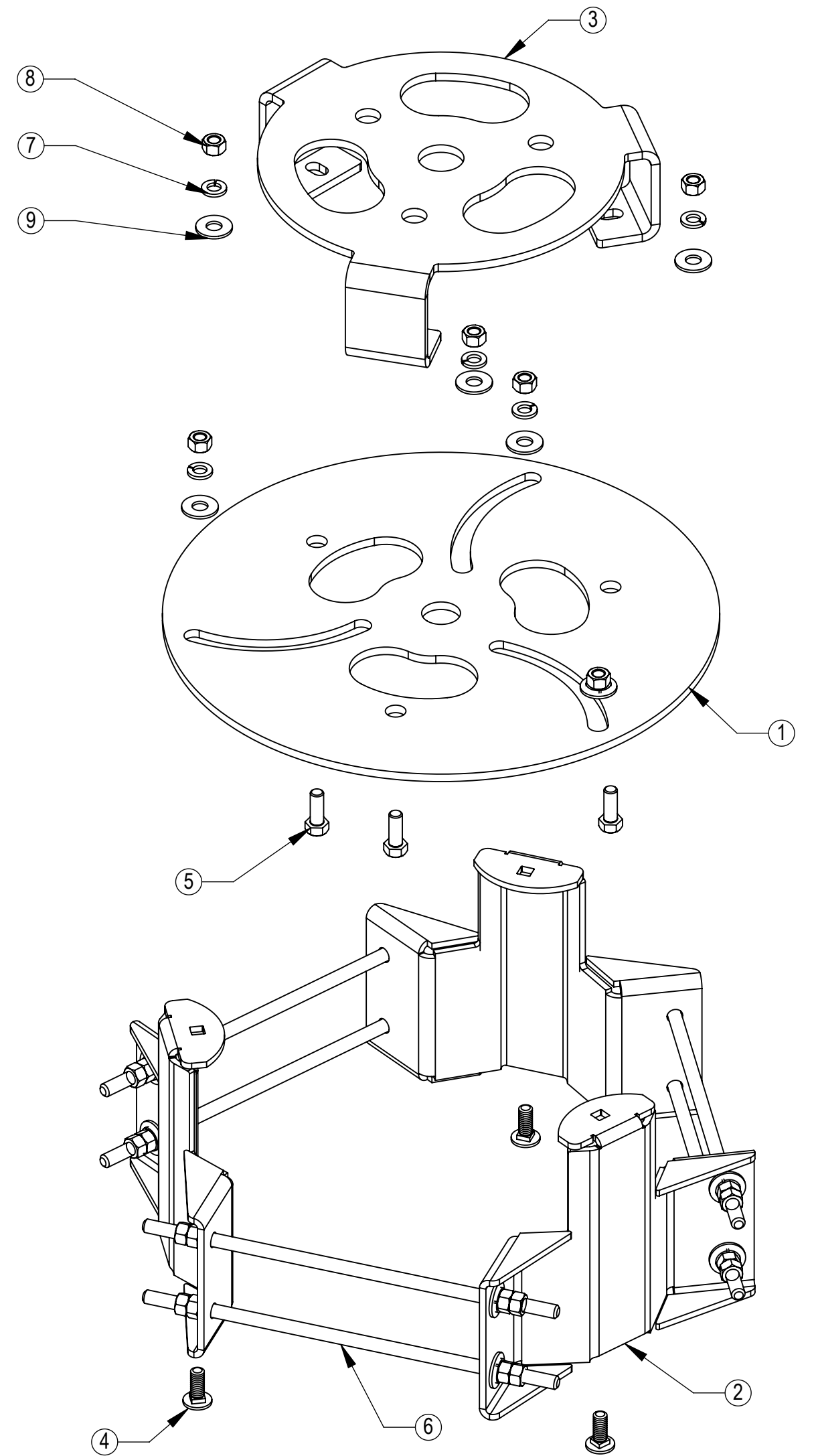


POLE TOP MOUNTING KIT - SHOWN FULLY ASSEMBLED
BOTTOM VIEW



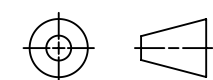
INSTALL 3/8" X 1" GALV SHORT SHANK CARRIAGE BOLT (MTF154402) THRU PIPE CLAMP BRKT (MTM104802) THRU MC TOP MOUNTING PLATE (MTM104801) ATTACH WITH NLF ASSEMBLY USAGE (NLF-03) 3X

INSTALL 3/8" X 1" GALV BOLT KIT (GB-03105) THRU MC TOP MOUNTING PLATE (MTM104801) THRU ANTENNA MOUNT BRACKET, TRIPOD (MTM104803) ATTACH WITH NLF ASSEMBLY USAGE (NLF-03) 3X



POLE TOP MOUNTING KIT - SHOWN FULLY ASSEMBLED
EXPLODED VIEW

COMMSCOPE, INC. OF NORTH CAROLINA				
TITLE METAL POLE TOP MOUNTING KIT, 8.5-12" OD				
SIZE C	SCALE 1:4	DOCUMENT NO. 860636779-3		
		DRAWING		SHEET
		VERSION 04	STATUS RE	REVISION C
				2 OF 3



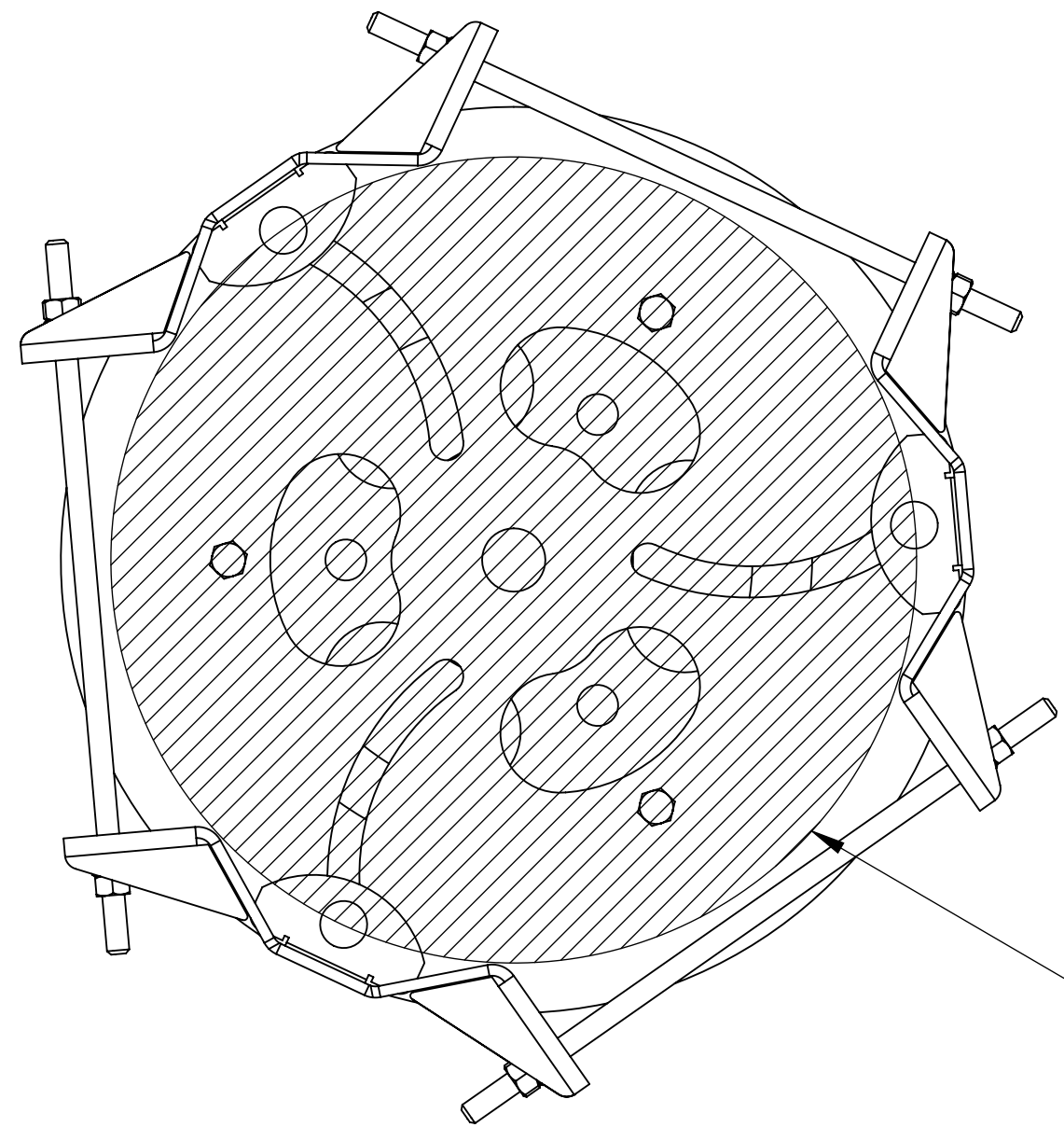
4

3

2

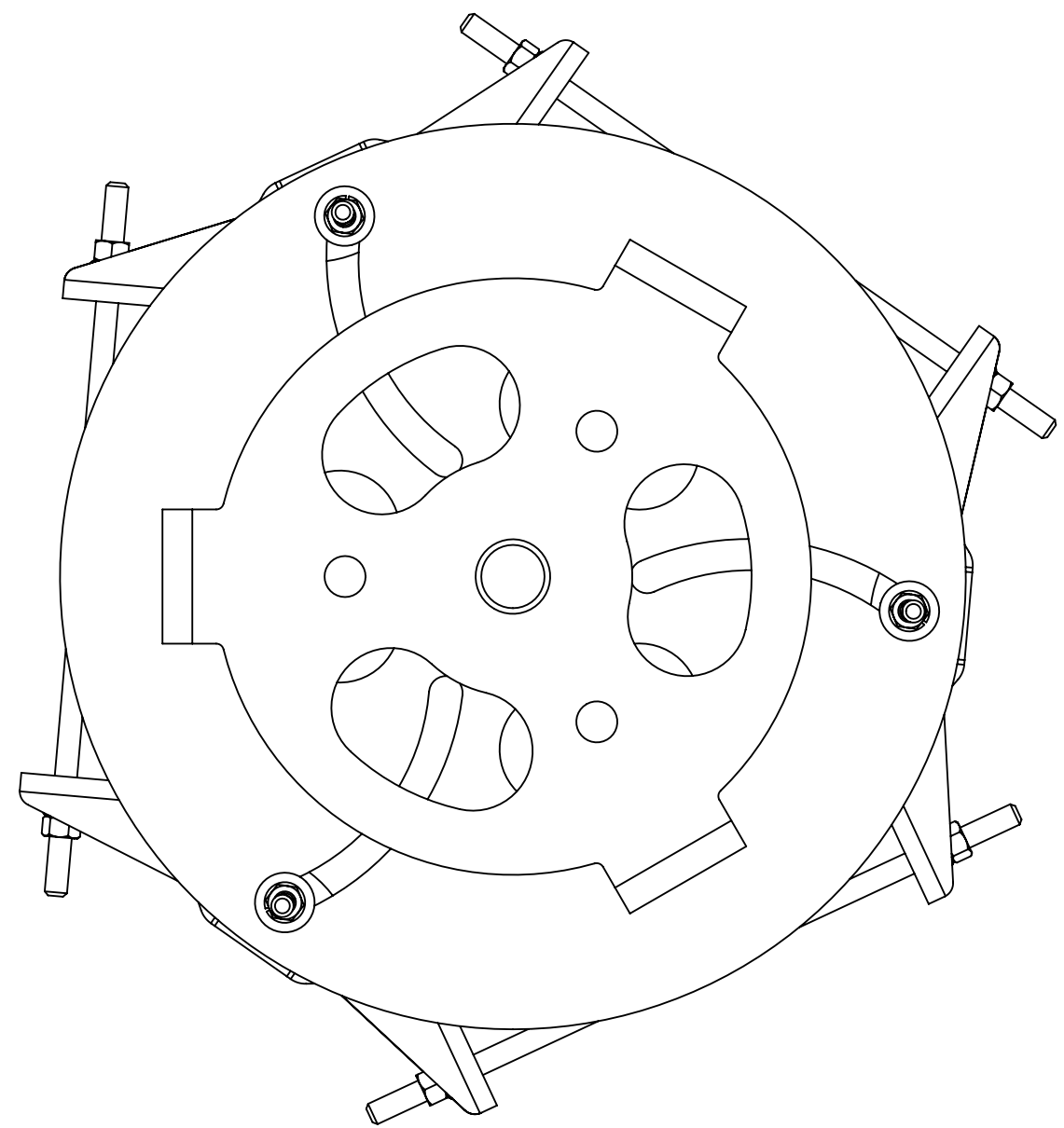
1

NOTES:

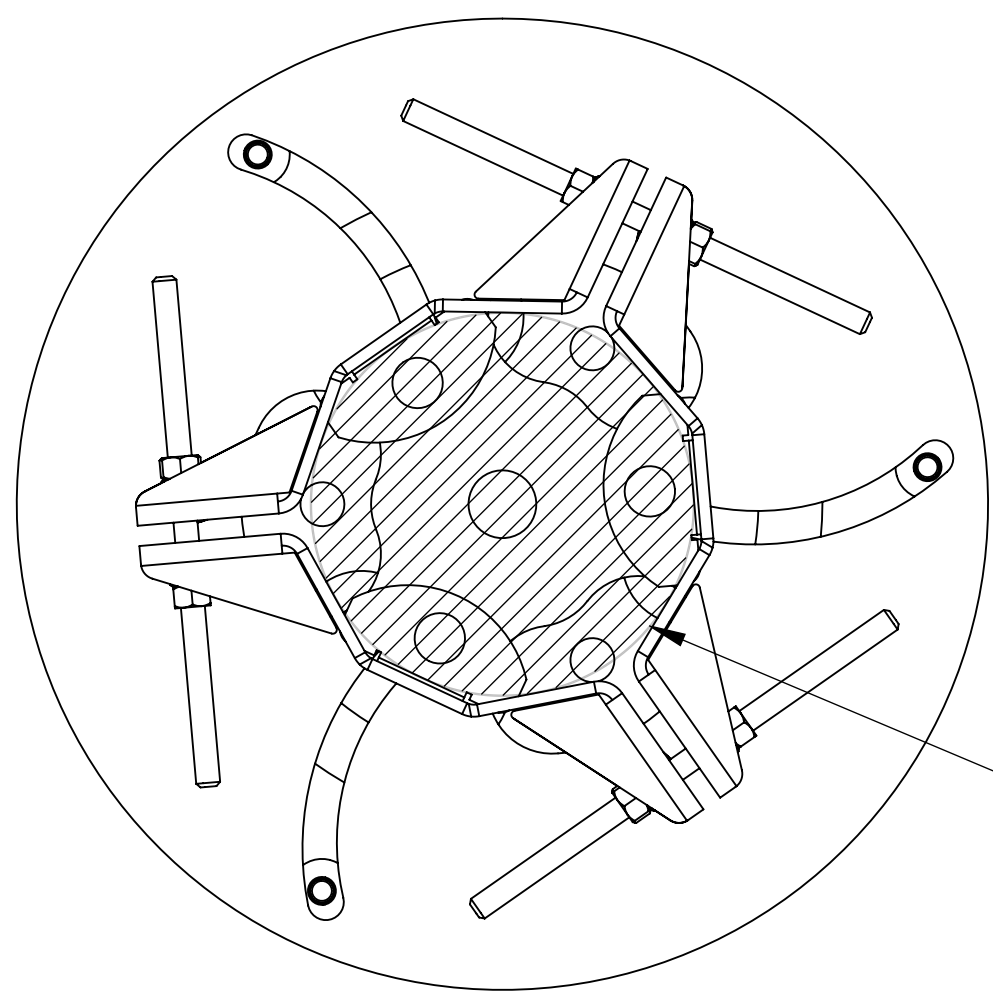


POLE TOP MOUNTING KIT - SHOWN FULLY ASSEMBLED
BOTTOM VIEW

BOTTOM VIEW
WITH
13 1/2" POLE TOP
FOR MAX.
RANGE


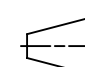


POLE TOP MOUNTING KIT - SHOWN FULLY ASSEMBLED
TOP VIEW



POLE TOP MOUNTING KIT - SHOWN FULLY ASSEMBLED
BOTTOM VIEW

BOTTOM VIEW
WITH
6" POLE TOP
FOR MIN.
RANGE

COMMSCOPE, INC. OF NORTH CAROLINA				
TITLE METAL POLE TOP MOUNTING KIT, 8.5-12" OD				
SIZE C	SCALE 1:4	DOCUMENT NO. 860636779-3		
 		DRAWING		SHEET
		VERSION 04	STATUS RE	REVISION C

© 2020 CommScope, Inc.

4

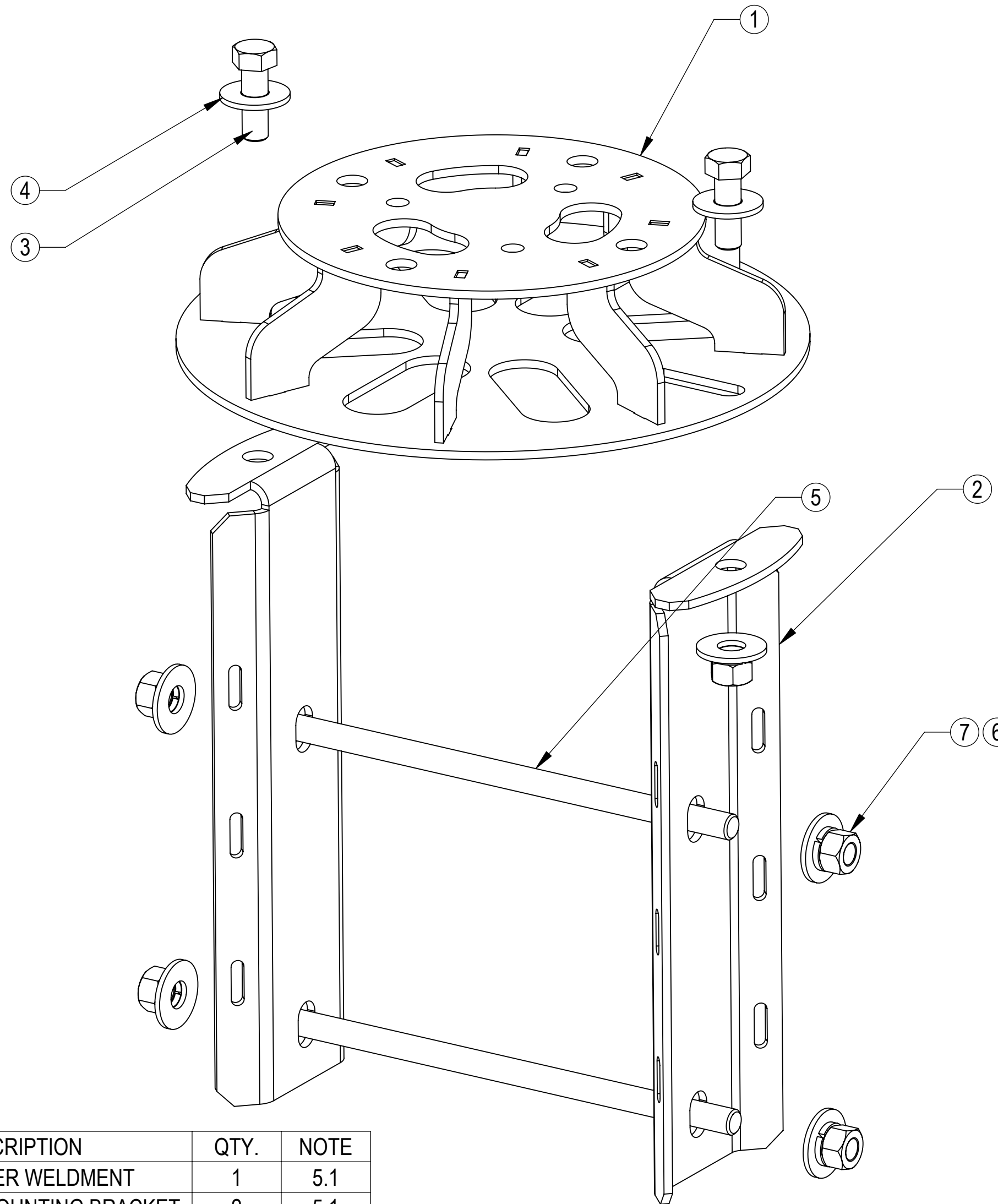
3

2

1

- 1. GENERAL NOTES
- 2. DESIGN NOTES
- 3. MANUFACTURING/SPECIAL REQUIREMENTS
 - 3.1 SHEET 2 IS CUSTOMER ASSEMBLY INSTRUCTIONS
- 4. TEST
- 5. PACKAGING
 - 5.1 WRAP THE UNIT IN PROTECTIVE FOAM WRAP BEFORE PACKAGING
 - 5.2 PACKAGE IN POLYBAG AND PLACE INSIDE THE UNIT FOR SHIPPING
 - 5.3 PRINTED DOCUMENT TO BE INCLUDED IN THE PACKAGE

REVISIONS				
REV.	ECN	DESCRIPTION	BY	DATE
A	8000036879	INITIAL RELEASE	JP1130	08/15/2019
B	8000037494	-1100 AND -1201 DESIGN UPDATED	JP1130	9/23/2019



ITEM NO.	PART NUMBER	DESCRIPTION	QTY.	NOTE
1	MTM1089-1100	PT ADAPTER WELDMENT	1	5.1
2	MTM1089-1201	PT ADAPTER MOUNTING BRACKET	2	5.1
3	GB-0622A	3/4" X 2-1/4" GALV BOLT KIT (A325)	2	5.2
4	GWF-06	3/4" GALV FLAT WASHER	8	5.2
5	MT38416	3/4" X 16" GALV THREADED ROD	2	
6	GWL-06	3/4" GALV LOCK WASHER	4	5.2
7	GN-06	3/4" GALV HEX NUT	4	5.2
8	860636779-CP	REFERENCE DOCUMENT	1	5.3

DENSITY		lbs/in ³
MASS	51.41	lbs
VOLUME	182.45	in ³
SURFACE AREA		in ²
HEIGHT		
LENGTH		
WIDTH		

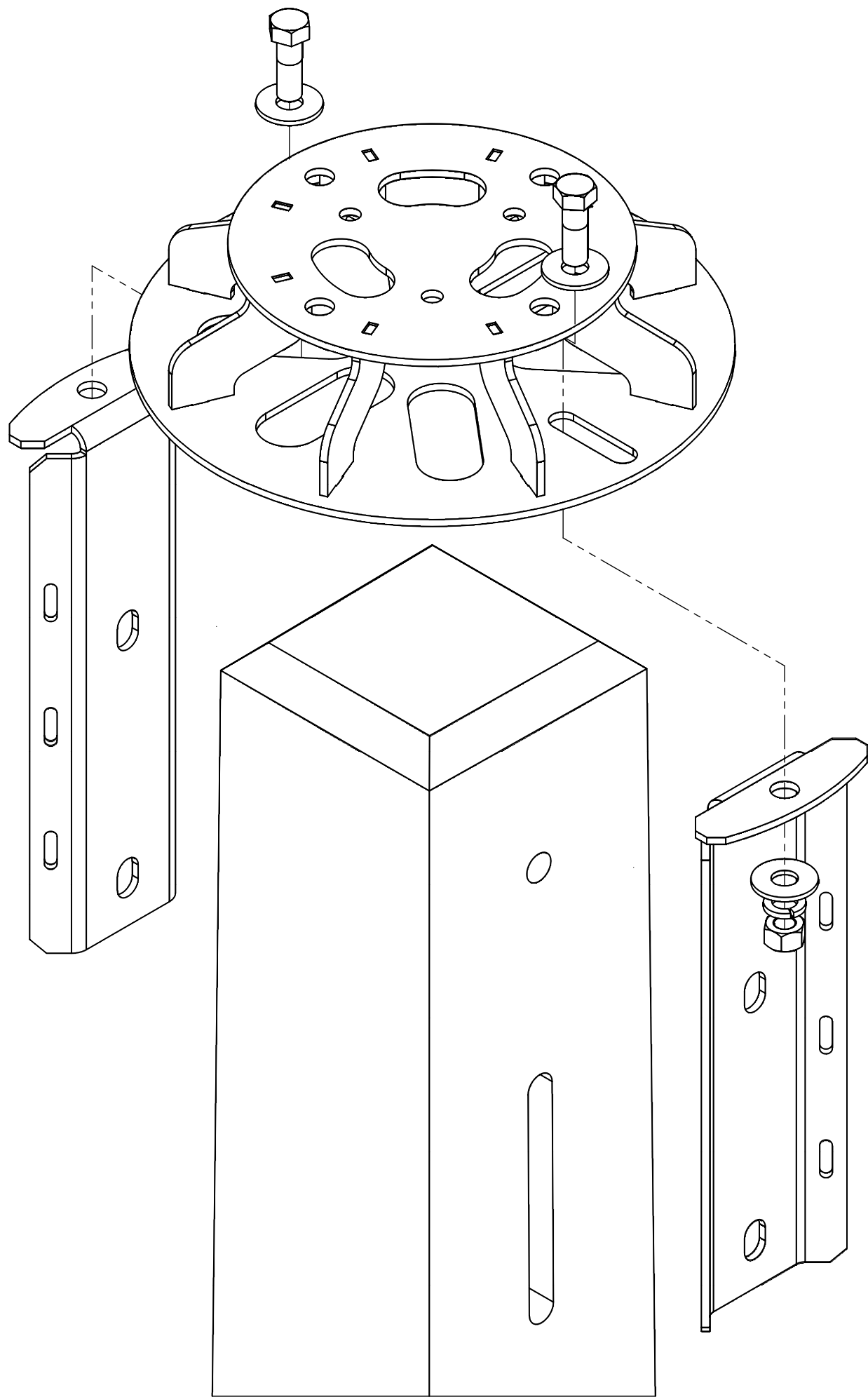
COMMSCOPE, INC. OF NORTH CAROLINA			
TOLERANCES		SAP MATERIAL MASTER	
1 PLACE .X± N/A	3 PLACE .XXX± N/A	860636779-CP	
2 PLACE .XX± N/A	ANGLES ± N/A		
FINISH N/A		MATERIAL SEE BOM	
UNLESS OTHERWISE SPECIFIED DIMENSIONS ARE IN INCHES INTERPRET PER ANSI Y 14.5M-1994	NAME	DATE	TITLE
	CE JP1130	08/15/2019	PT CONCRETE POLE ADAPTER
	RW JP1130	09/27/2019	
	RV		
	AD GR1010	09/27/2019	
RE JP1130	09/27/2019		
ECN 008000037494	SCALE 1:3	DOCUMENT NO. 860636779-CP	
SIZE C	WORK AREA 24	MODEL	
		VERSION 01	DRAWING
		STATUS RE	REVISION B
		VERSION 01	STATUS RE
		REVISION B	REVISION B
			SHEET 1 OF 2

4

3

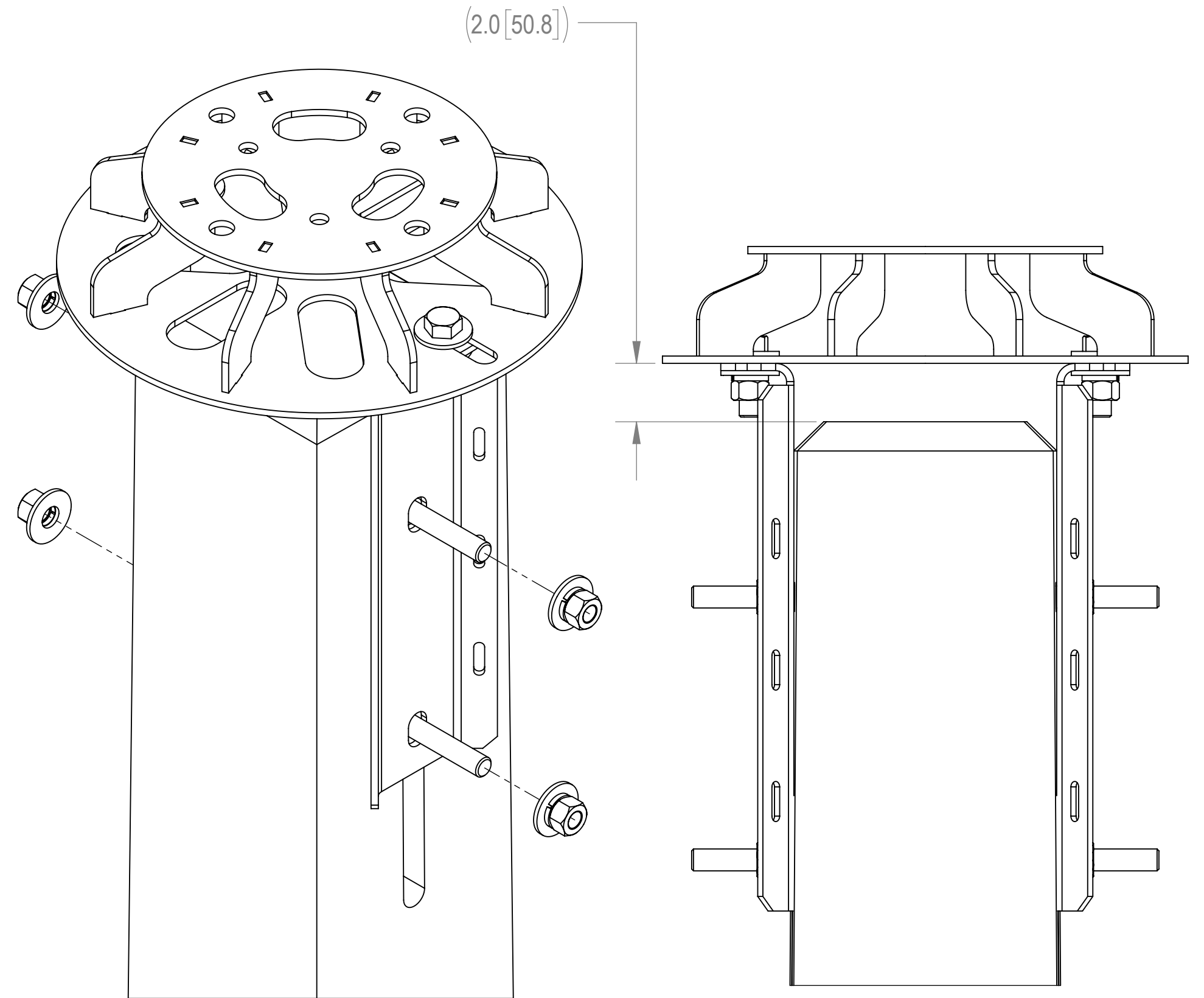
2

1



STEP 1

ASSEMBLE THE PT ADAPTER MOUNTING BRACKETS AND PT ADAPTER WELDMENT USING 2 SETS OF 3/4" BOLT, FLAT WASHER, LOCK WASHER AND NUT.



STEP 2

INSTALL THE SUB-ASSEMBLY FROM STEP 1 TO THE POLE USING 2 SETS OF 3/4" THREADED ROD, FLAT WASHER, LOCK WASHER AND NUT.

COMMSCOPE, INC. OF NORTH CAROLINA				
TITLE PT CONCRETE POLE ADAPTER				
SIZE C	SCALE 1:48	DOCUMENT NO. 860636779-CP		
		DRAWING		SHEET
		VERSION	STATUS	REVISION
		01	RE	B
				SHEET 2 OF 2

4

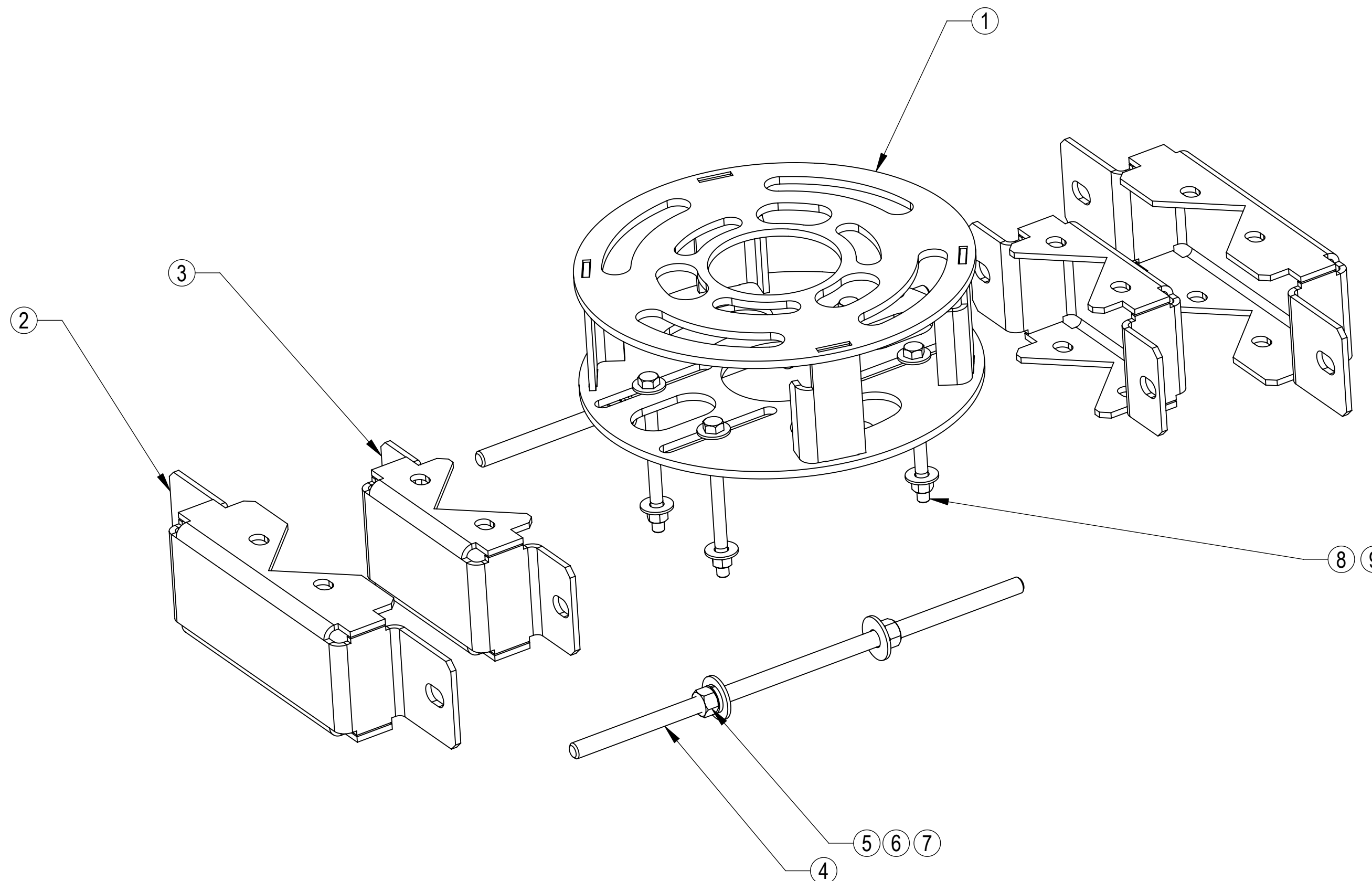
3

2

1

1. GENERAL NOTES
2. DESIGN NOTES
3. MANUFACTURING/SPECIAL REQUIREMENTS
 - 3.1 SHEET 2-4 IS CUSTOMER ASSEMBLY INSTRUCTIONS
4. TEST
5. PACKAGING
 - 5.1 WRAP THE UNIT IN PROTECTIVE FOAM WRAP BEFORE PACKAGING
 - 5.2 PACKAGE IN POLYBAG AND PLACE INSIDE THE UNIT FOR SHIPPING
 - 5.3 PRINTED DOCUMENT TO BE INCLUDED IN THE PACKAGE

REVISIONS				
REV.	ECN	DESCRIPTION	BY	DATE
A	8000037454	INITIAL RELEASE	JP1130	11/11/2019



ITEM NO.	PART NUMBER	DESCRIPTION	QTY.	NOTE
1	MTM1094-1100	SQ POLE ADAPTER WELDMENT	1	
2	MTM1094-1201	SQ POLE ADPT BKT LARGE	2	
3	MTM1094-1202	SQ POLE ADPT BKT SMALL	2	
4	MT37916	1/2" X 16" GALV THREADED ROD	2	
5	GN-04	1/2" GALV HEX NUT	4	5.2
6	GWL-04	1/2" GALV LOCK WASHER	4	5.2
7	GWF-04	1/2" GALV FLAT WASHER	4	5.2
8	GB-03505	3/8" X 5" GALV BOLT KIT	4	5.2
9	GWF-03	3/8" GALV FLAT WASHER	8	5.2
10	860636779-SQ1	REFERENCE DOCUMENT	1	5.3

COMMSCOPE, INC. OF NORTH CAROLINA										
TOLERANCES					SAP MATERIAL MASTER					
1 PLACE .X ± N/A		3 PLACE .XXX ± N/A			860636779-SQ1					
2 PLACE .XX ± N/A		ANGLES ± N/A								
FINISH N/A					MATERIAL SEE BOM					
UNLESS OTHERWISE SPECIFIED DIMENSIONS ARE IN INCHES INTERPRET PER ANSI Y 14.5M-1994	CE	NAME	DATE	TITLE						
	RW	JP1130	11/14/2019	PT MOUNTING KIT SQ POLES						
	RV									
	AD	CB1074	11/14/2019							
	RE	JP1130	11/14/2019							
ECN 008000037454		SCALE	DOCUMENT NO.							
		1:3	860636779-SQ1							
SIZE		WORK AREA	24		MODEL			DRAWING		
C		⊕		VERSION	STATUS	REVISION	VERSION	STATUS	REVISION	SHEET
				01	RE	A	01	RE	A	1 OF 4

DENSITY		lbs/in ³
MASS	32.20	lbs
VOLUME	114.25	in ³
SURFACE AREA	1278.76	in ²
HEIGHT		
LENGTH		
WIDTH		

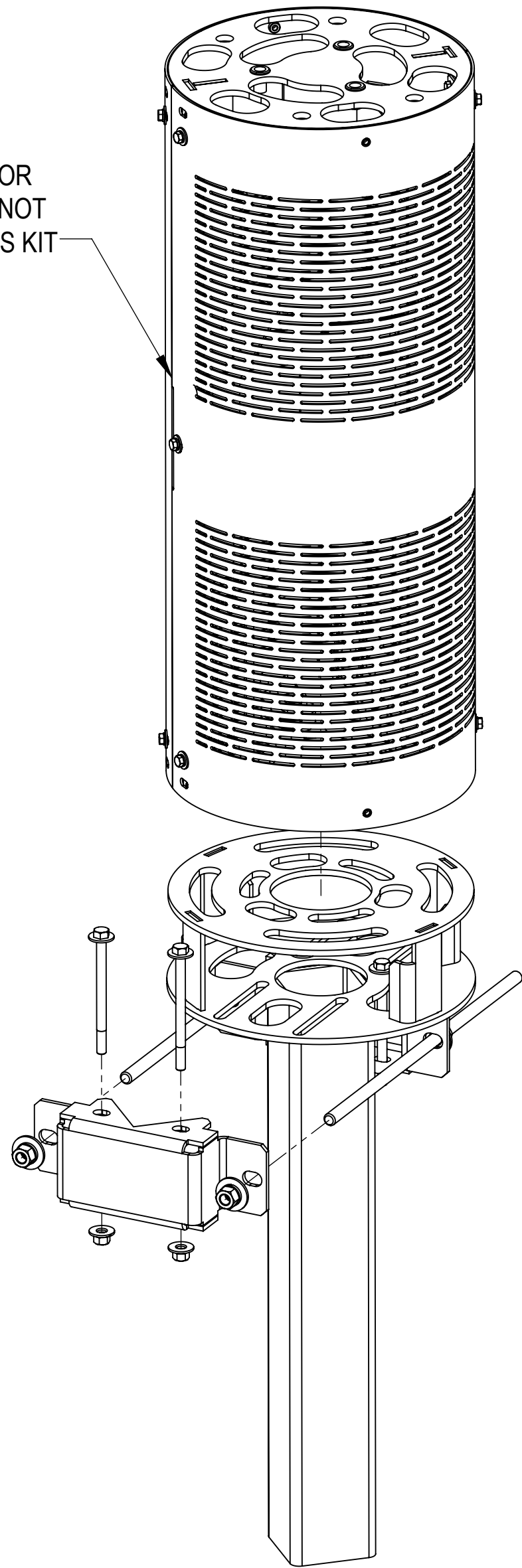
4

3

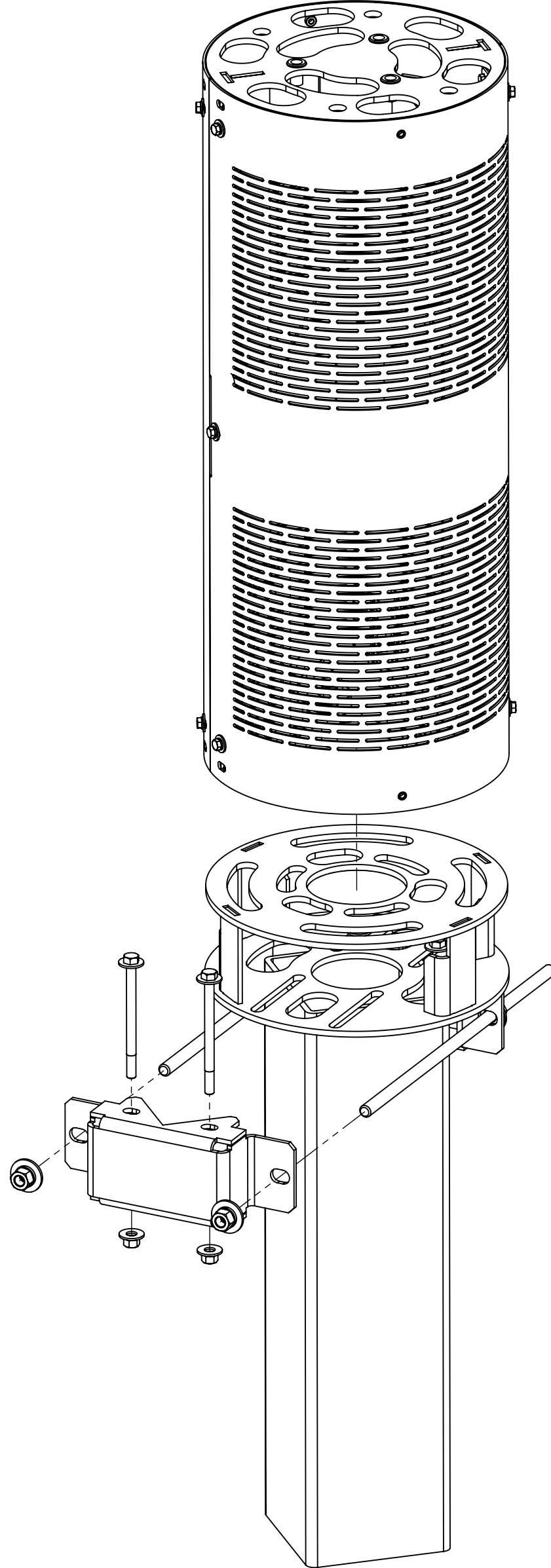
2

1

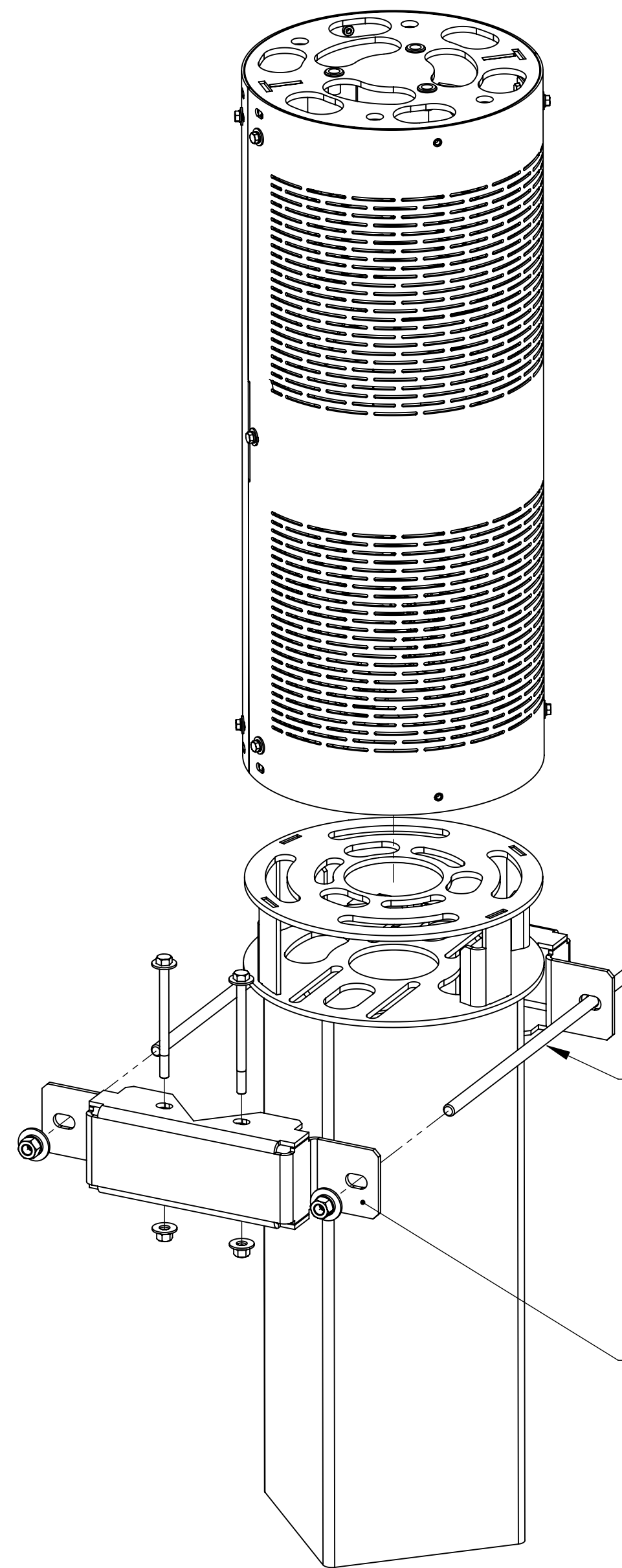
POLETOP SHOWN FOR REFERENCE ONLY. NOT INCLUDED WITH THIS KIT



12" POLETOP ON
3.5" SQ POLE



12" POLETOP ON
6.0" SQ POLE



12" POLETOP ON
8.5" SQ POLE

THREADED ROD REQUIRED TO BE "CUT-TO-SIZE" IF A CONCEALMENT TRANSITION COVER WILL BE INSTALLED

8" MAX. FOR POLE SIZE UPTO 6" SQ
12" MAX. FOR POLE SIZE > 6" SQ

MTM1099-1201 BRACKET REQUIRED FOR POLES LARGER THAN 6" SQ.

MTM1099-1202 BRACKET REQUIRED FOR POLE 6" SQ AND SMALLER

POLE BRACKETS (MTM1099-1201 AND MTM1099-1202) WILL ACCOMODATE POLES WITH CORNER RADIUS 1/8" OR LARGER.

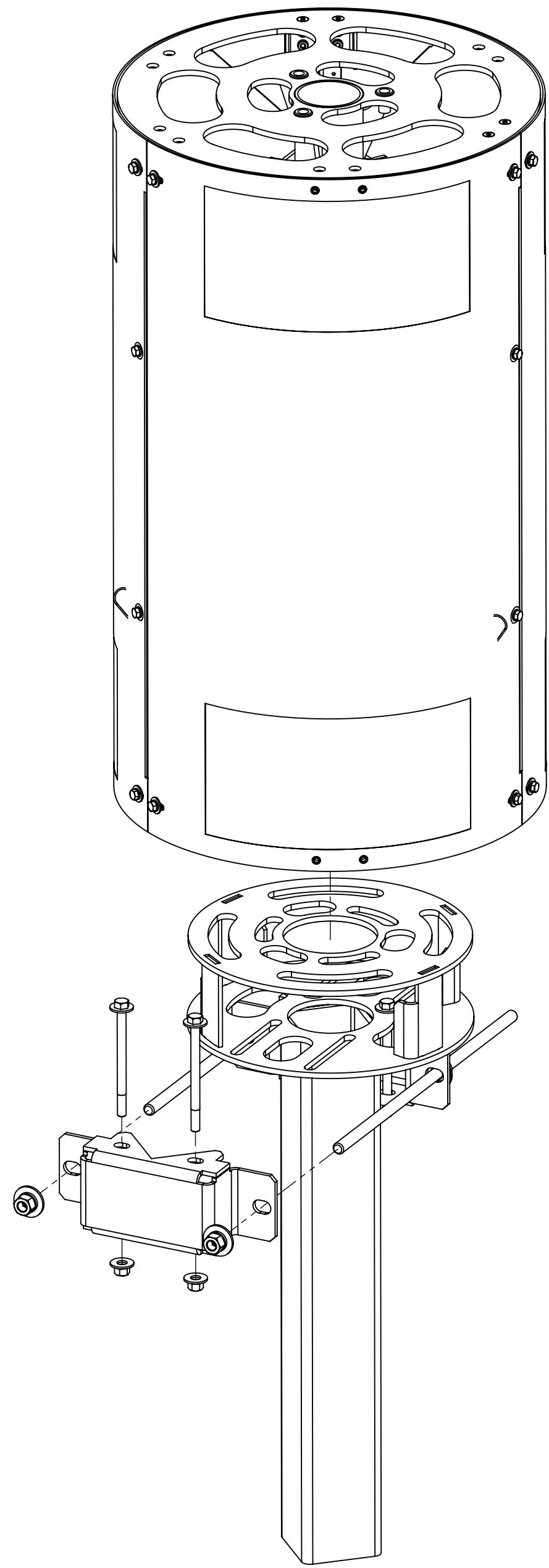
COMMSCOPE, INC. OF NORTH CAROLINA				
TITLE PT MOUNTING KIT SQ POLES				
SIZE C	SCALE 1:12	DOCUMENT NO. 860636779-SQ1		
DRAWING		REVISION		SHEET
VERSION 01	STATUS RE	REVISION A	2 OF 4	

4

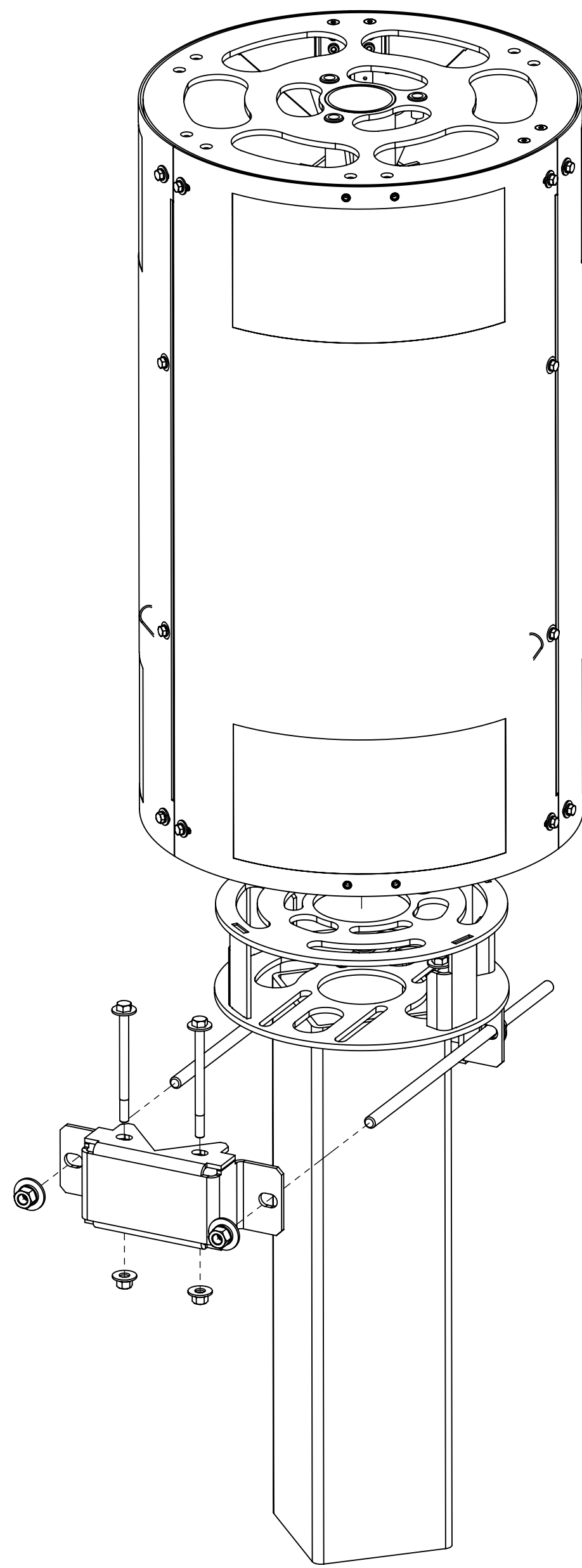
3

2

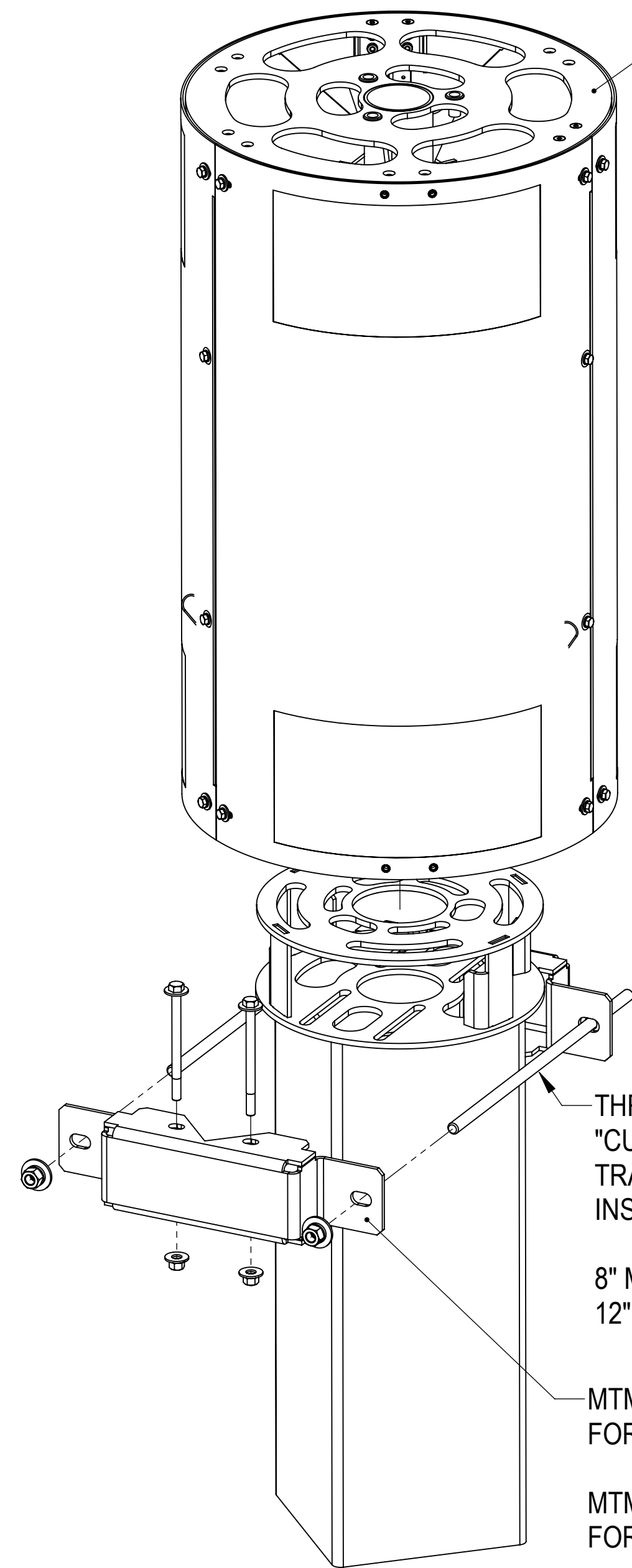
1



18" POLETOP ON
3.5" SQ POLE



18" POLETOP ON
6.0" SQ POLE



18" POLETOP ON
8.5" SQ POLE

POLETOP SHOWN FOR
REFERENCE ONLY. NOT
INCLUDED WITH THIS KIT

THREADED ROD REQUIRED TO BE
"CUT-TO-SIZE" IF A CONCEALMENT
TRANSITION COVER WILL BE
INSTALLED

8" MAX. FOR POLE SIZE UP TO 6" SQ
12" MAX. FOR POLE SIZE > 6" SQ

MTM1099-1201 BRACKET REQUIRED
FOR POLES LARGER THAN 6" SQ.

MTM1099-1202 BRACKET REQUIRED
FOR POLE 6" SQ AND SMALLER

POLE BRACKETS (MTM1099-1201 AND MTM1099-1202)
WILL ACCOMODATE POLES WITH CORNER RADIUS
1/8" OR LARGER.

COMMSCOPE, INC. OF NORTH CAROLINA				
TITLE PT MOUNTING KIT SQ POLES				
SIZE C	SCALE 1:12	DOCUMENT NO. 860636779-SQ1		
		DRAWING		SHEET
		VERSION 01	STATUS RE	REVISION A
				3 OF 4

4

3

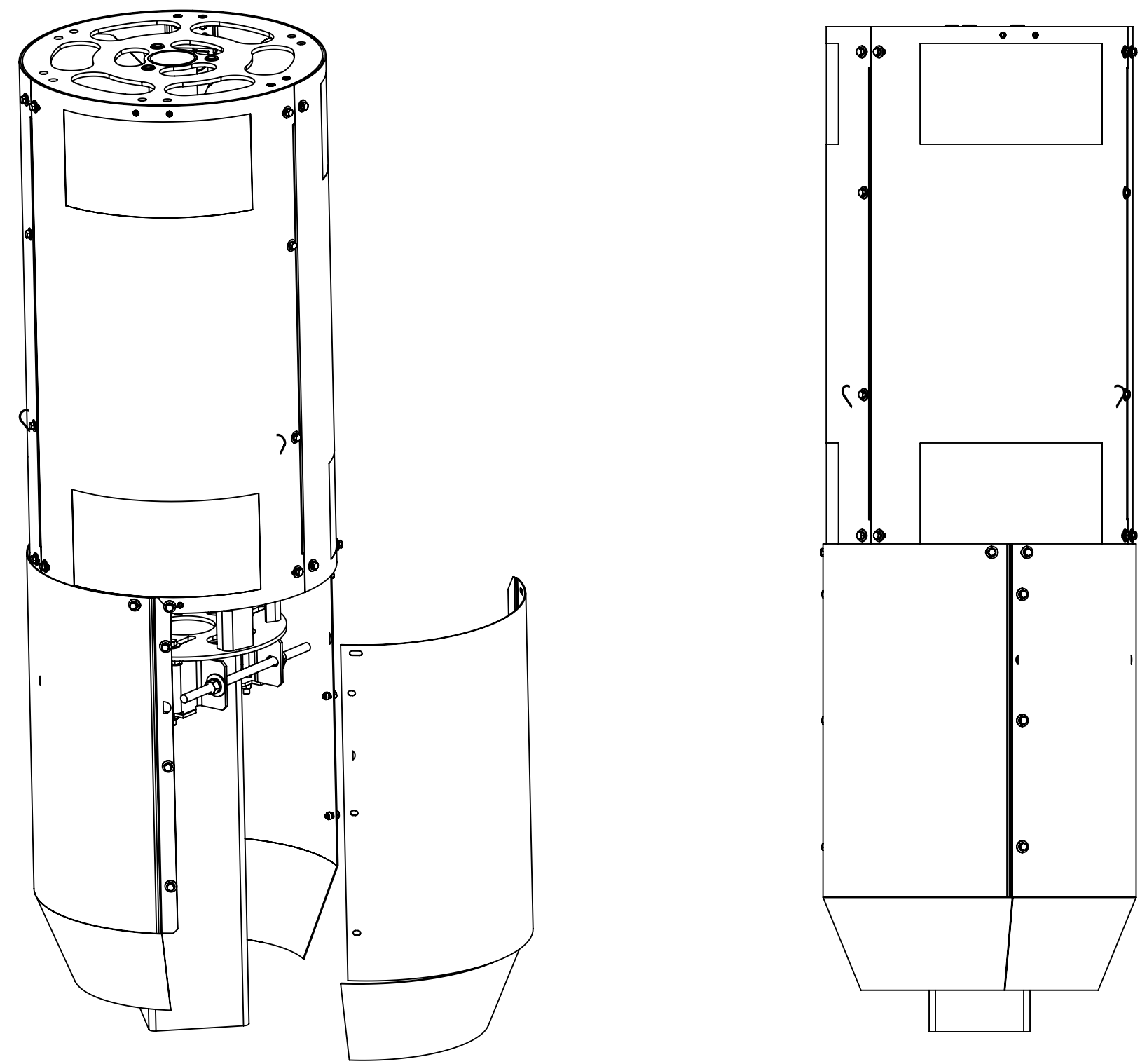
2

1

COMMSCOPE CONCEALMENT LOWER TRANSITION COMPATIBILITY MATRIX

	12" POLETOP	18" POLETOP
3.5" SQ. POLE	860641110-PTX	860644785-18C1X
6.0" SQ. POLE	860641110-PTX	860644785-18C1X
8.5" SQ. POLE	CUSTOM	860644785-18C1X

THESE TRANSITIONS MAYBE PURCHASED SEPARATELY.
NOT INCLUDED WITH 860636779-SQ1



LOWER TRANSITIONS SHOWN INSTALLED FOR REFERENCE

COMMSCOPE, INC. OF NORTH CAROLINA				
TITLE PT MOUNTING KIT SQ POLES				
SIZE C	SCALE 1:12	DOCUMENT NO. 860636779-SQ1		
		DRAWING		SHEET 4 OF 4
		VERSION 01	STATUS RE	

4

3

2

1

D

D

C

C

B

B

A

A