

# MHBD-F1N2C



Hardened Multifiber Optical Connector (HMFOC) cable assembly, HMFOC plug to female MPO, 24-fiber

- \*Product complies with the Build America, Buy America Act (BABAA) requirements of the Infrastructure Investment and Jobs Act of 2021 (Pub. L. 117- 58, §§ 70901-70953), or is the subject of a waiver approved by the Secretary of Commerce or designee. Compliance requirements and waiver applicability vary based on government funding program. Check the laws and regulations for your specific program.

## Product Classification

|                                |   |
|--------------------------------|---|
| <b>Regional Availability</b>   | Asia   Latin America   North America  |
| <b>Product Type</b>            | Fiber drop cable assembly   |
| <b>Product Series</b>          | MHBD  |
| <b>Government Requirements</b> | Build America Buy America (BABA) compliant*   |
| <b>Ordering Note</b>           | For custom cable assembly lengths, please contact your local CommScope representative |

## General Specifications

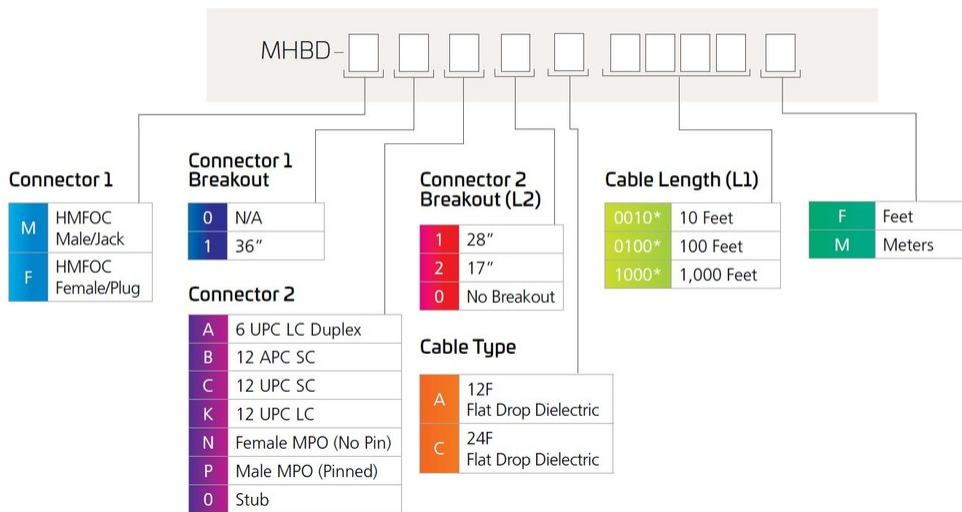
|                                       |                                   |
|---------------------------------------|-----------------------------------|
| <b>Cable Type</b>                     | Dielectric - Flat                 |
| <b>Connector A, quantity</b>          | 2                                 |
| <b>Color, boot A</b>                  | Black                             |
| <b>Color, connector A</b>             | Black                             |
| <b>Connector B, quantity</b>          | 2                                 |
| <b>Color, boot B</b>                  | Black                             |
| <b>Color, connector B</b>             | Green                             |
| <b>Interface, Connector A</b>         | Hardened multi-fiber (HMFOC) plug |
| <b>Interface Feature, connector A</b> | Female                            |
| <b>Interface, Connector B</b>         | MPO                               |
| <b>Interface Feature, connector B</b> | Female   Unpinned                 |
| <b>Jacket Color</b>                   | Black                             |
| <b>Location of Manufacturing</b>      | Catawba, North Carolina           |
| <b>Total Fibers, quantity</b>         | 24                                |

## Dimensions

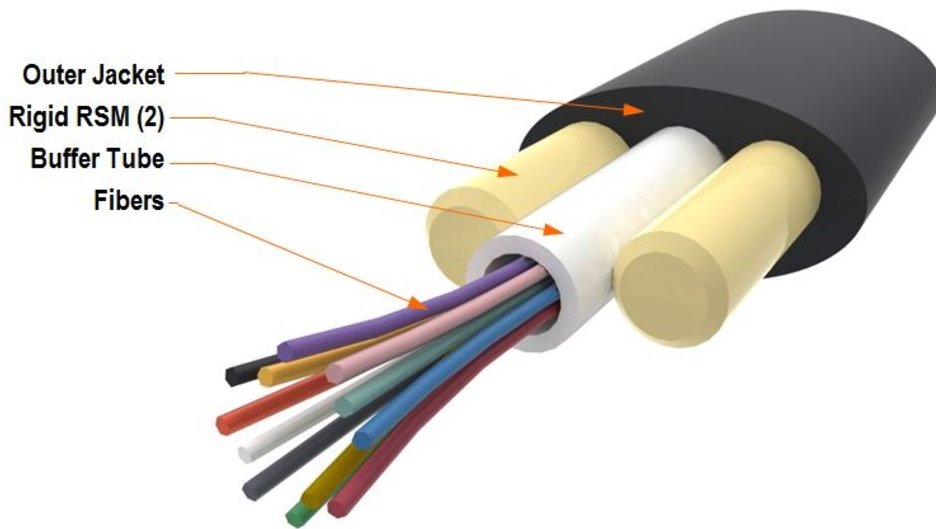
# MHBD-F1N2C

|   |                               |
|---|-------------------------------|
| <b>Breakout Length, connector A</b>     | 914.4 mm   36 in              |
| <b>Breakout Length, connector B</b>     | 431.8 mm   17 in              |
| <b>Cable Assembly Length Range (m)</b>  | 1 – 900                       |
| <b>Cable Assembly Length Range (ft)</b> | 10 – 1000                     |
| <b>Cable Outer Diameter</b>             | 4.5 x 8.0 mm (0.18 x 0.31 in) |

## Ordering Tree



## Representative Image



# MHBD-F1N2C

---

## Mechanical Specifications

|                                      |                  |
|--------------------------------------|------------------|
| <b>Minimum Bend Radius, loaded</b>   | 88.9 mm   3.5 in |
| <b>Minimum Bend Radius, unloaded</b> | 63.5 mm   2.5 in |

## Optical Specifications

|   |                      |
|---|----------------------|
| <b>Fiber Mode</b>                           | Singlemode           |
| <b>Fiber Type</b>                           | G.657.A2, TeraSPEED® |
| <b>Insertion Loss, maximum, connector A</b> | 0.45 dB              |
| <b>Insertion Loss, maximum, connector B</b> | 0.4 dB               |
| <b>Return Loss, minimum, connector A</b>    | 65 dB                |
| <b>Return Loss, minimum, connector B</b>    | 65 dB                |

## Environmental Specifications

|                                 |                                      |
|---------------------------------|--------------------------------------|
| <b>Installation temperature</b> | -30 °C to +70 °C (-22 °F to +158 °F) |
| <b>Operating Temperature</b>    | -40 °C to +70 °C (-40 °F to +158 °F) |
| <b>Storage Temperature</b>      | -40 °C to +75 °C (-40 °F to +167 °F) |
| <b>Environmental Space</b>      | Outdoor, buried                      |
| <b>Jacket UV Resistance</b>     | UV stabilized                        |

## Packaging and Weights

|                           |   |
|---------------------------|---|
| <b>Packaging quantity</b> | 1 |
|---------------------------|---|