

FHBDW-H2M22



HELIAX® Discrete Fiber LC DU to OPTITAP

Product Classification

Regional Availability	Asia Australia/New Zealand EMEA Latin America North America
Portfolio	CommScope®
Product Type	Wireless Fiber Cable Assemblies
Product Brand	HELIAX®
Product Series	FHBDW
Ordering Note	CommScope® non-standard product

General Specifications

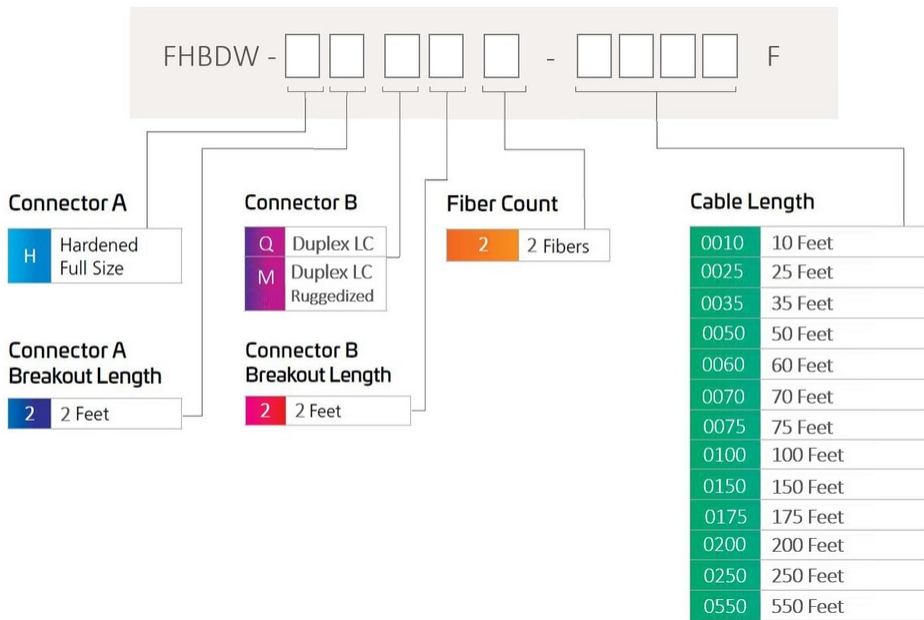
Cable Type	Dielectric - Round
Connector A, quantity	2
Color, boot A	Black
Color, connector A	Black
Connector B, quantity	2
Color, boot B	White
Color, connector B	Blue
Interface, Connector A	SC/APC
Interface Feature, connector A	Male
Interface, Connector B	LCC plug
Interface Feature, connector B	Duplex
Jacket Color	Black
Total Fibers, quantity	2

Dimensions

Breakout Length, connector A	609.6 mm 24 in
Breakout Length, connector B	609.6 mm 24 in
Cable Assembly Length Range (ft)	1 – 200

FHBDW-H2M22

Ordering Tree



Mechanical Specifications

Minimum Bend Radius, furcation 61 mm | 2.402 in

Optical Specifications

Fiber Type G.657.A2

Insertion Loss, typical note Insertion loss is measured at 1310 and 1550 nm

Insertion Loss, maximum, connector A 0.4 dB

Insertion Loss, maximum, connector B 0.4 dB

Return Loss, minimum, connector A 65 dB

Return Loss, minimum, connector B 60 dB

Environmental Specifications

Operating Temperature -40 °C to +70 °C (-40 °F to +158 °F)

Environmental Space Outdoor

Packaging and Weights

Packaging quantity 1

FHBDW-H2M22

* Footnotes

Insertion Loss, typical note Insertion loss is measured at a room temp of +20°C (+68°F)