

FHBD-J08J084B



Fiber Optic Drop Cable Assembly, 4 Fiber, SC/APC with 8 ft breakout to SC /APC with 8 ft breakout, Flat Toneable Cable

- Hardened connectors are factory-terminated and environmentally sealed for use in optical drop cable deployments
- Hardened drop cables incorporate hardened connector technology that is designed to withstand the rugged outside plant environment
- Hardened drop cables simplify installation and maintenance by reducing splicing requirements in the distribution portion of the network

Product Classification

Regional Availability	Asia Australia/New Zealand EMEA Latin America North America
Portfolio	CommScope®
Product Type	Fiber drop cable assembly
Product Series	FHBD

General Specifications

Cable Type	Toneable - Flat
Color, boot A	Green
Color, boot B	Green
Color, connector A	Green
Color, connector B	Green
Connector A, quantity	4
Connector B, quantity	4
Interface, Connector A	SC/APC
Interface, Connector B	SC/APC
Jacket Color	Black
Total Fibers, quantity	4
Transmission Standards	IEC 61753-1 IEC 61754-4 IEC 61755

Dimensions

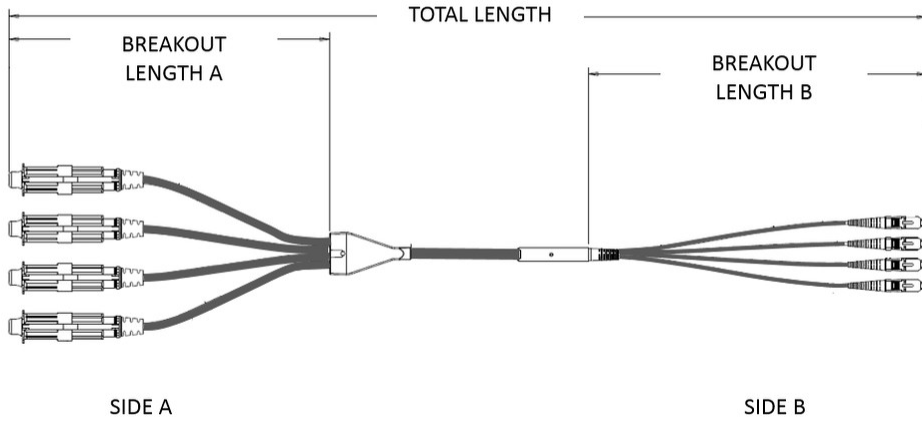
Breakout Length, connector A	2,438.4 mm 96 in
Breakout Length, connector B	2,438.4 mm 96 in
Cable Assembly Length Range (ft)	50 – 1000

FHBD-J08J084B

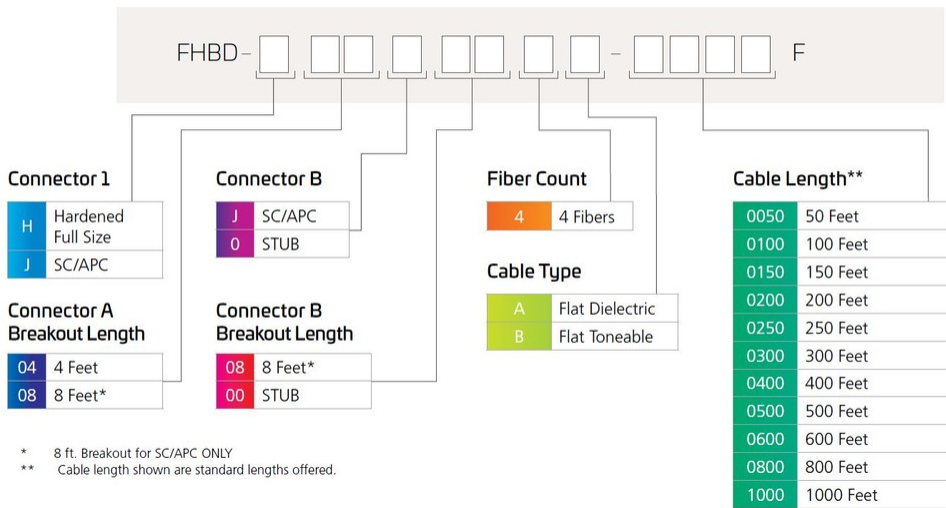
Cable Outer Diameter

4.3 x 8.0 mm (0.17 x 0.31 in)

Outline Drawing

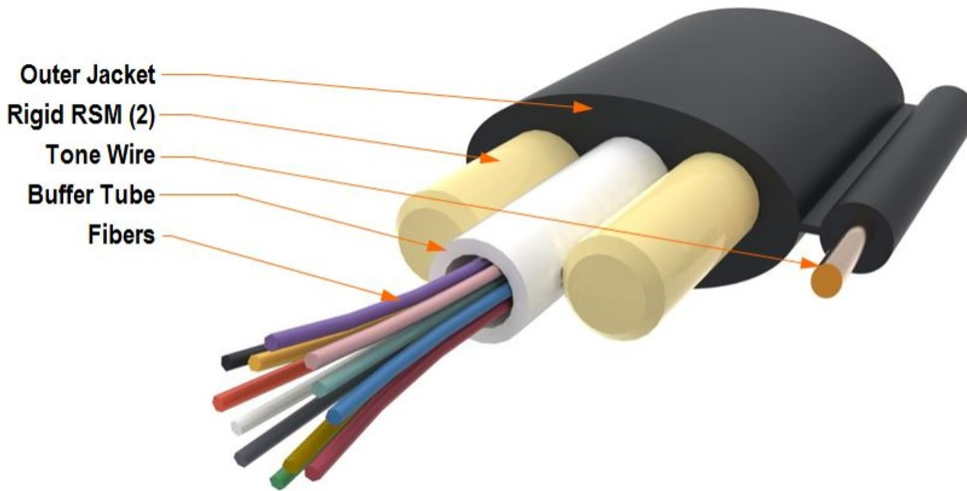


Ordering Tree



Representative Image

FHBD-J08J084B



Mechanical Specifications

Minimum Bend Radius, loaded	86 mm 3.386 in
Minimum Bend Radius, unloaded	81 mm 3.189 in
Tensile Load, long term, maximum	400 N 89.924 lbf
Tensile Load, short term, maximum	1334 N 299.895 lbf

Optical Specifications

Fiber Mode	Singlemode
Fiber Type	G.652.D
Insertion Loss, maximum, connector A	0.4 dB
Insertion Loss, maximum, connector B	0.4 dB
Return Loss, minimum, connector A	65 dB
Return Loss, minimum, connector B	65 dB

Environmental Specifications

Operating Temperature	-40 °C to +70 °C (-40 °F to +158 °F)
Storage Temperature	-40 °C to +75 °C (-40 °F to +167 °F)
Environmental Space	Outdoor
Jacket UV Resistance	UV stabilized
Qualification Standards	NEMA type 6, 10 ft waterhead Telcordia GR-20 Telcordia GR-3120 Telcordia GR-326

FHBD-J08J084B

Packaging and Weights

Cable weight 36 kg/km | 24.191 lb/kft

Packaging quantity 1

Regulatory Compliance/Certifications

Agency

CHINA-ROHS

ROHS

Classification

Below maximum concentration value

Compliant

