

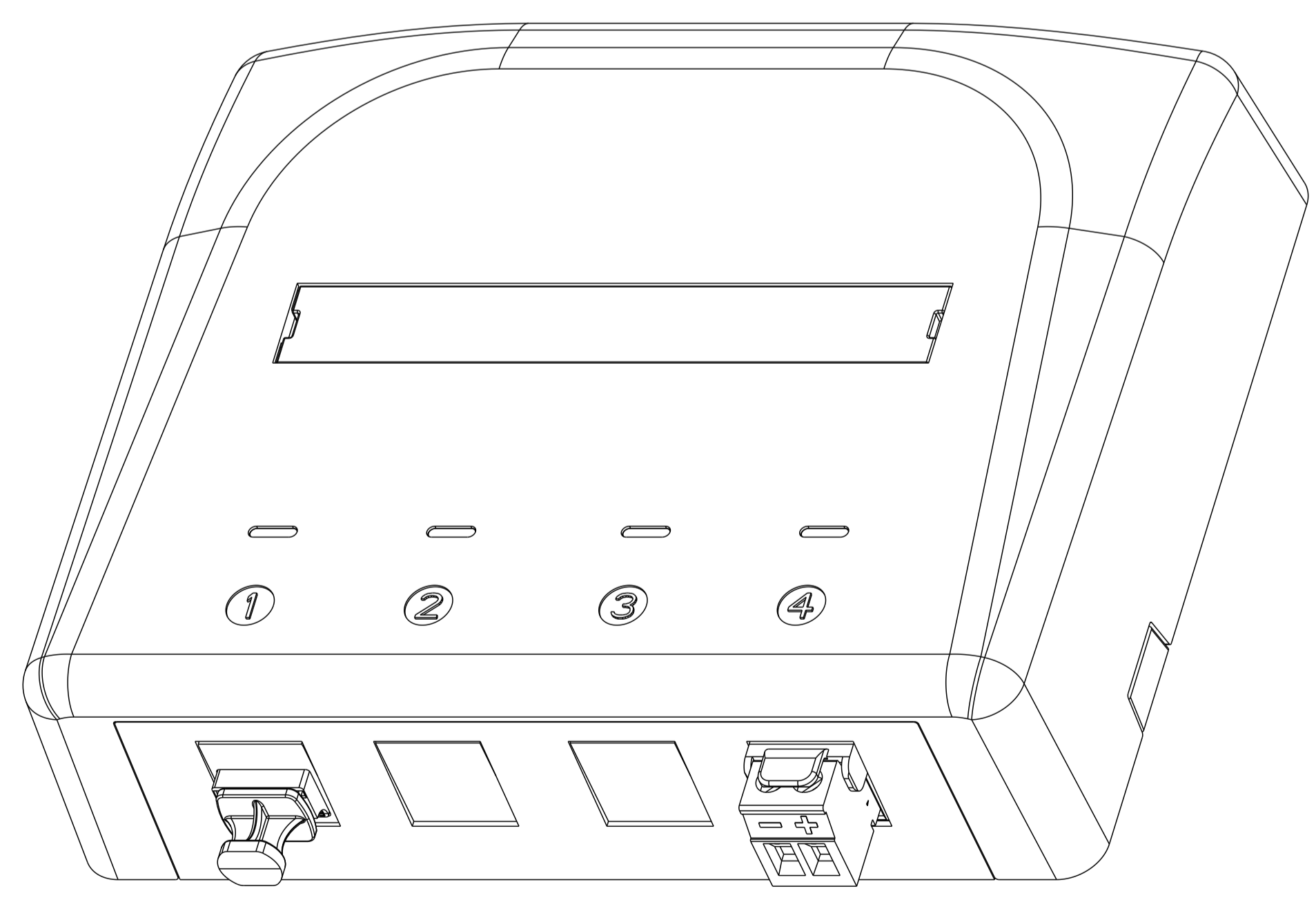
STOCKLIST

REVISIONS			
REV	CMO	DATE	APPROVED
A	40117008CMO	27AUG2020	TA

NOTES:

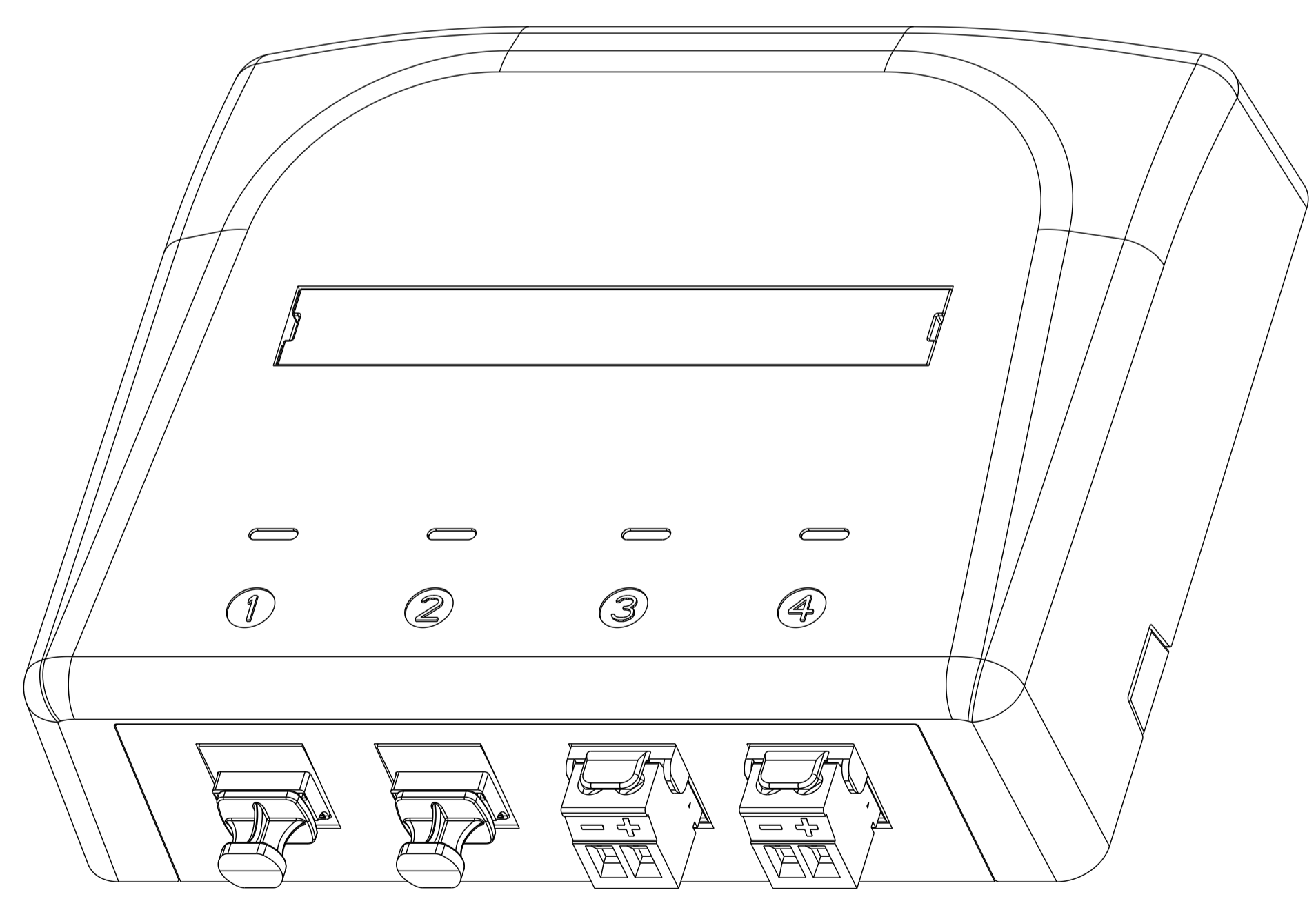
1. KIT SHIPPED NOT ASSEMBLED, ALL ITEMS LOOSE.
2. UNLESS OTHERWISE SPECIFIED, DIMENSIONS IN MM [INCHES] AND TOLERANCE +/-0.25 MM

ITEM	DESCRIPTION	QTY	QTY	QTY	QTY	QTY	QTY
1	COVER, 4 PORT, SURFACE MOUNT MODULE, LT ALMOND	1			1		
2	COVER, 4 PORT, SURFACE MOUNT MODULE, ALPINE WHITE		1			1	
3	COVER, 4 PORT, SURFACE MOUNT MODULE, BLACK			1			1
4	BASE, 4 PORT, SURFACE MOUNT MODULE, LT ALMOND	1			1		
5	BASE, 4 PORT, SURFACE MOUNT MODULE, ALPINE WHITE		1			1	
6	BASE, 4 PORT, SURFACE MOUNT MODULE, BLACK			1			1
7	LABEL, BLANK	1	1	1	1	1	1
8	LABEL COVER, CLEAR	1	1	1	1	1	1
9	TAPE, FOAM	4	4	4	4	4	4
10	CABLE TIE, NATURAL, 6" LONG	2	2	2	2	2	2
11	SCREW, SLF TAP, SLOTTED PAN HEAD #6 X 1.00" LG	2	2	2	2	2	2
12	SCREW, SLF-TAP, SLOTTED PAN HEAD, TYPE F, OVH, 6-32 X .50" LG	1	1	1	1	1	1
13	DUPLEX, LC ADAPTER, SM-MM, SL HOUSING, BLACK, BULK PACK	1	1	1	2	2	2
14	INSERT, BLANK, TOOL-LESS, SL SERIES, LT ALMOND	2					
15	INSERT, BLANK, TOOL-LESS, SL SERIES, ALPINE WHITE		2				
16	INSERT, BLANK, TOOL-LESS, SL SERIES, BLACK			2			
17	HOLDER, CONNECTOR, POWER, BLACK	1	1	1	2	2	2
18	ASSEMBLY, POWER CONNECTOR, TERMINAL BLOCK, PT A	1	1	1	2	2	2
19	ASSEMBLY, POWER CONNECTOR, TERMINAL BLOCK, PT B	1	1	1	2	2	2
20	SPIRAL WRAP, CUT LENGTH	1	1	1	1	1	1



SCALE 1:500

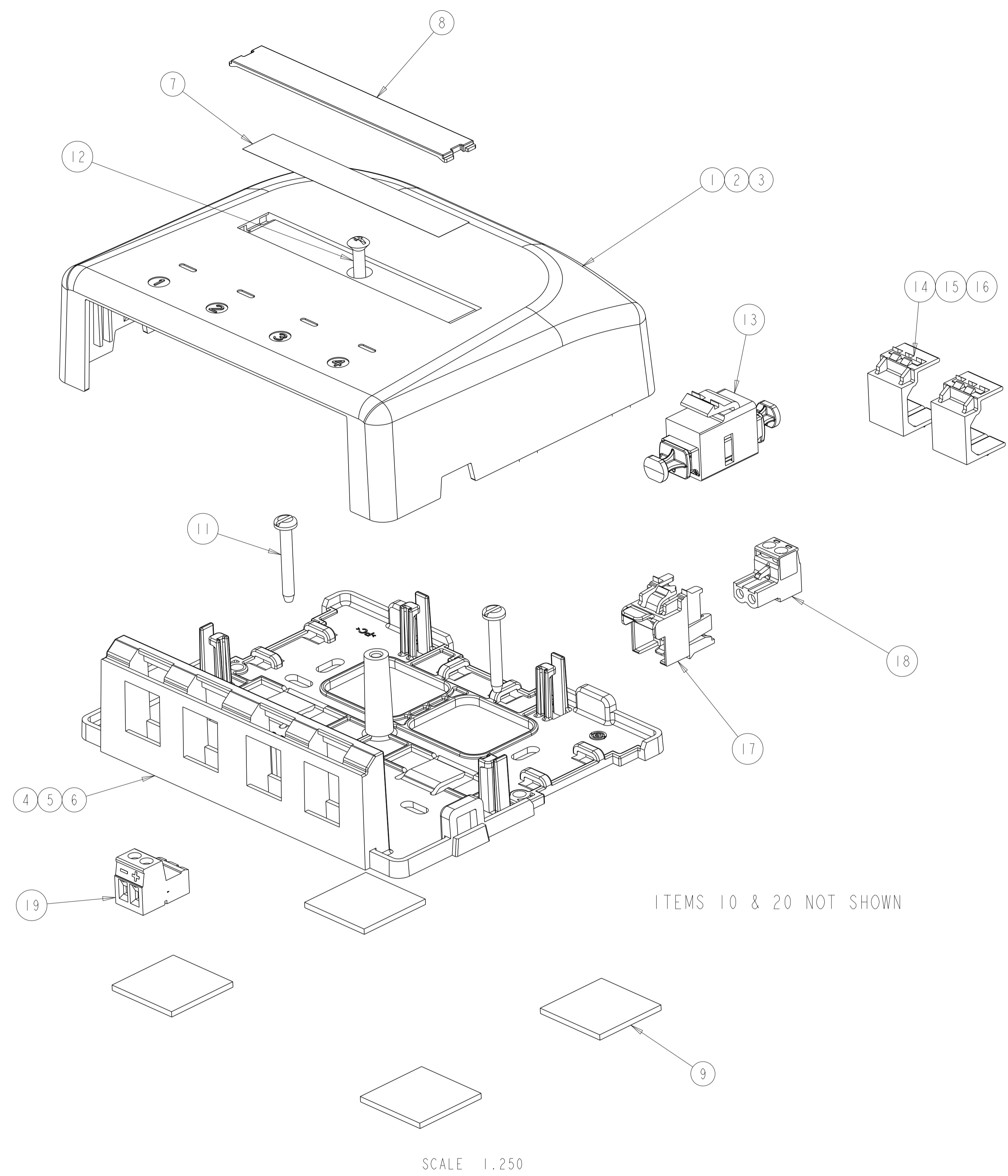
POWER FIBER SMM
1 POWER PORT AND 1 FIBER PORT
(760248944, 760248943, 760248942)



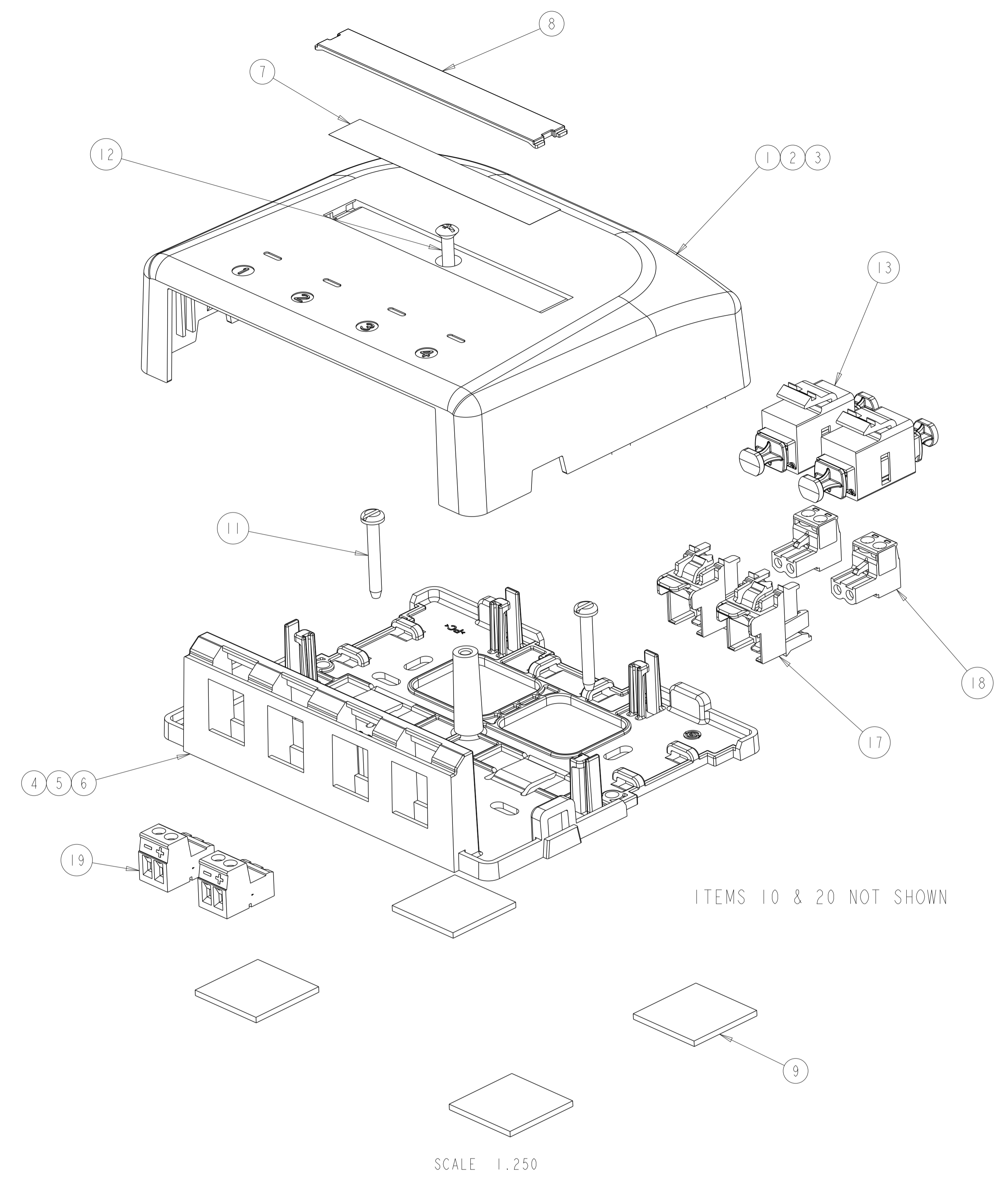
SCALE 1:500

POWER FIBER SMM
2 POWER PORT AND 2 FIBER PORT
(760249095, 760249094, 760249093)

COMMSCOPE, INC.			
DRAFTER L SMITH	TITLE KIT, SMM, POWER FIBER		
ENGINEER T ANDERSON	SIZE A	SCALE 1:1000	DOCUMENT NO. A20104963
CUSTOMER DRAWING			REVISION SHEET A 1 OF 3

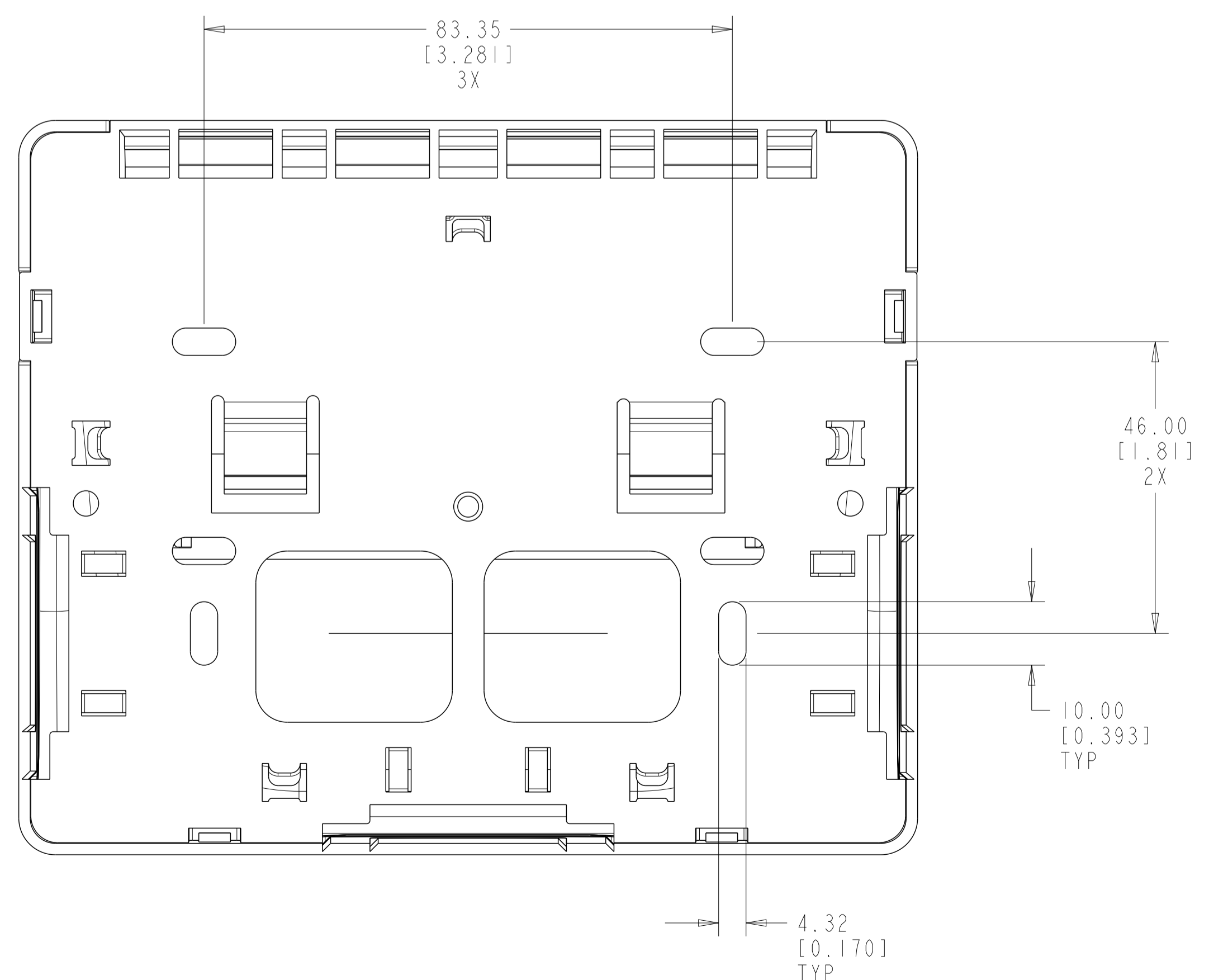
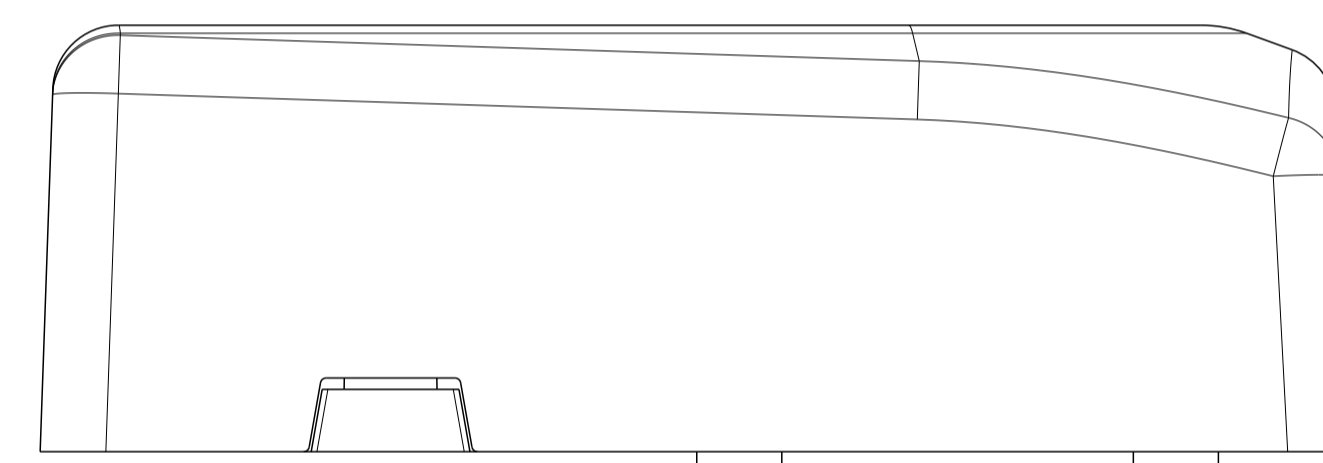
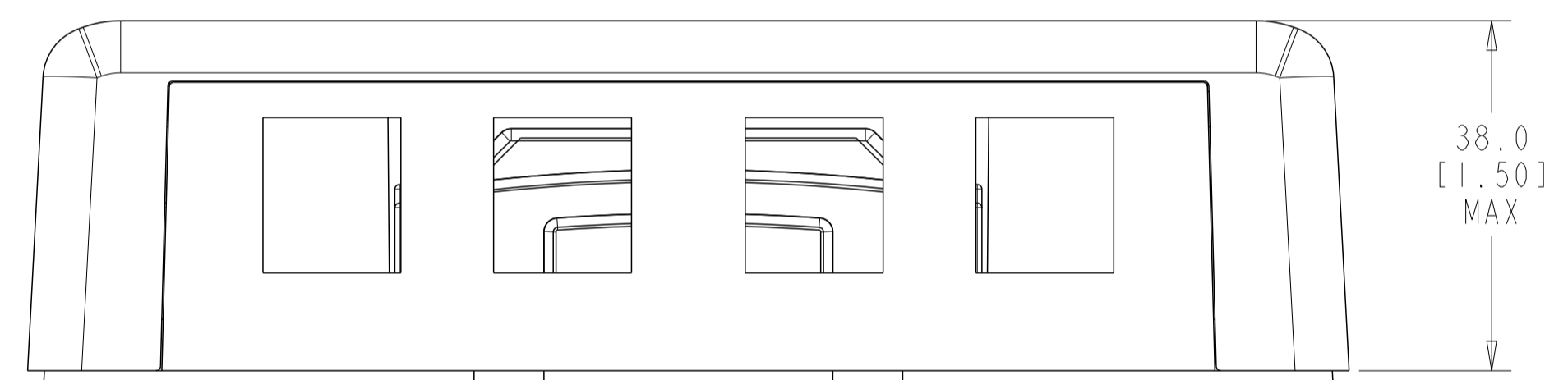
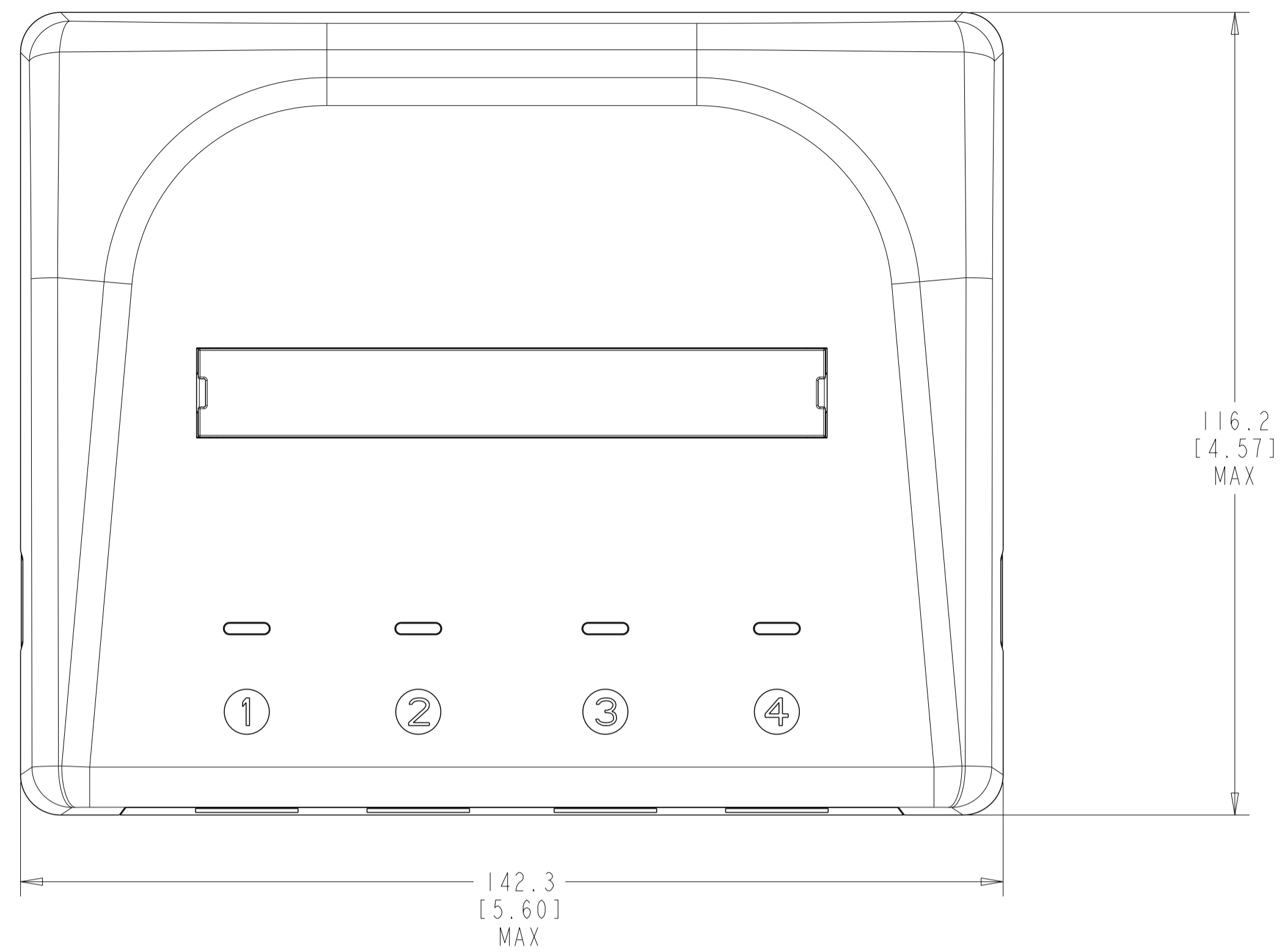


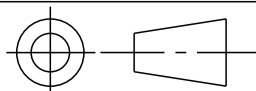
POWER FIBER SMM
 1 POWER PORT AND 1 FIBER PORT
 (760248944, 760248943, 760248942)



POWER FIBER SMM
 2 POWER PORT AND 2 FIBER PORT
 (760249095, 760249094, 760249093)

COMMSCOPE, INC.			
DRAFTER L SMITH	TITLE KIT, SMM, POWER FIBER		
ENGINEER T ANDERSON	SIZE A	SCALE 1.000	DOCUMENT NO. A20104963
CUSTOMER DRAWING			REVISION SHEET A 2 OF 3



COMMSCOPE, INC.			
DRAFTER L SMITH	TITLE KIT, SMM, POWER FIBER		
ENGINEER T ANDERSON	SIZE A	SCALE 1:500	DOCUMENT NO. A20104963
 CUSTOMER DRAWING			REVISION SHEET A 3 OF 3