

AGL Panel

General

The AGL panel is designed for use in rack, which has a faceplate. It can be installed with G2 modules and fiber management trough. The G2 modules and fiber management trough must be purchased separated. These panels are intended for indoor use, but may be used outdoors in a suitable enclosure.

Ordering information is listed below:

Material ID	Part No.	Description
760241517	AGL-1U-FX	1U shelf, Open Rear, Fixed
760241518	AGL-1U-ANG-FX	1U shelf, Open Rear, Angle, Fixed
760242453	AGL-1U-SL	1U shelf, Open Rear, Sliding
760242454	AGL-1U-ANG-SL	1U shelf, Open Rear, Angle, Sliding
760242455	AGL-1U-DRW-SL	1U shelf, Drawer, Sliding
760242475	AGL-1U-ENC-FX	1U shelf, Enclosed, Fixed
760242476	AGL-1U-ENC-SL	1U shelf, Enclosed, Sliding



760241517 AGL-1U-FX



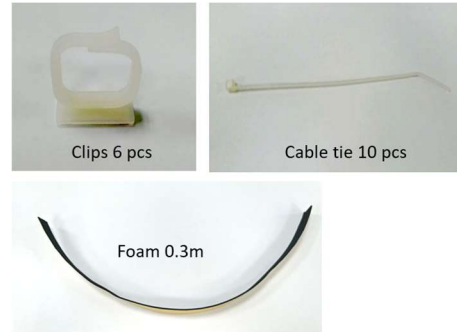
760241518 AGL-1U-ANG-FX



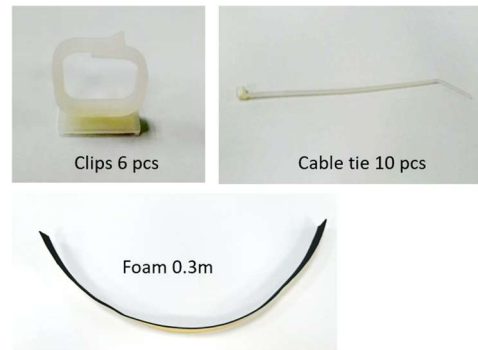
760242453 AGL-1U-SL



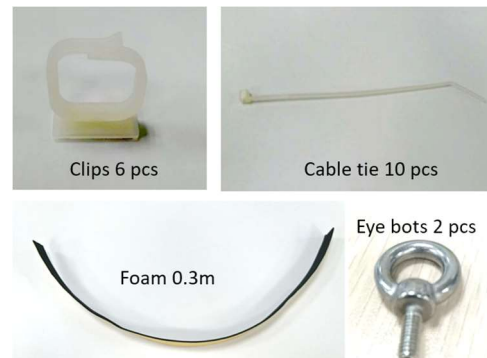
760242454 AGL-1U-ANG-SL



760242455 AGL-1U-DRW-SL



760242475 AGL-1U-ENC-FX



760242476 AGL-1U-ENC-SL

How to Contact Us

- To find out more about **CommScope**® products, visit us on the web at <http://www.commscope.com/>
- For technical assistance, customer service, or to report any missing/damaged parts, visit us at <http://www.commscope.com/SupportCenter>

Tools Required

- Phillips-head screwdriver

Parts List

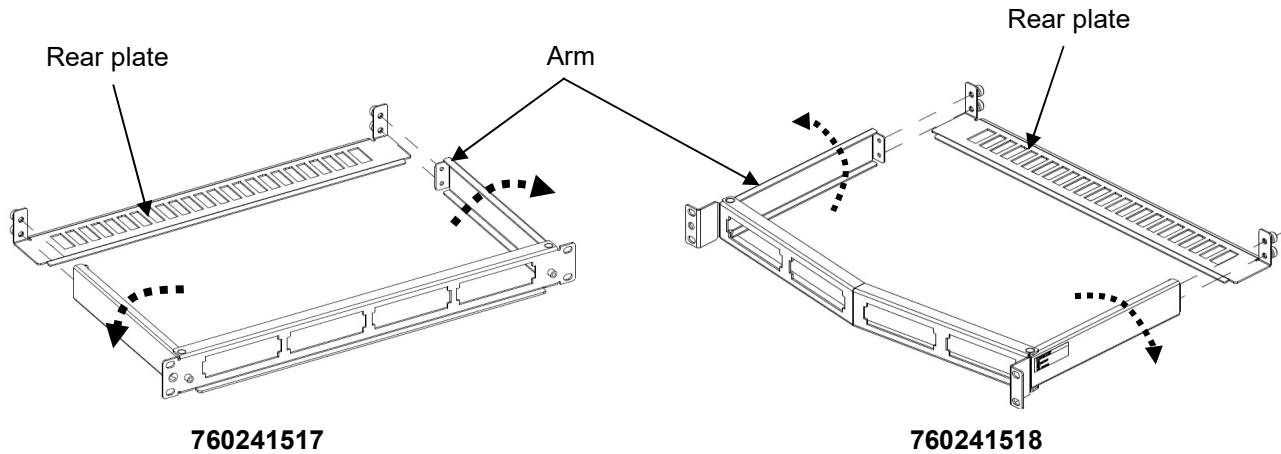
Verify parts against the parts list below:

Quantity	Description
1	Shelf assembly (fixed or sliding)
4	#12-24 x 1/2-inch screws for 19-inch and 23-inch (483mm) rack mounting

Important Safety Cautions

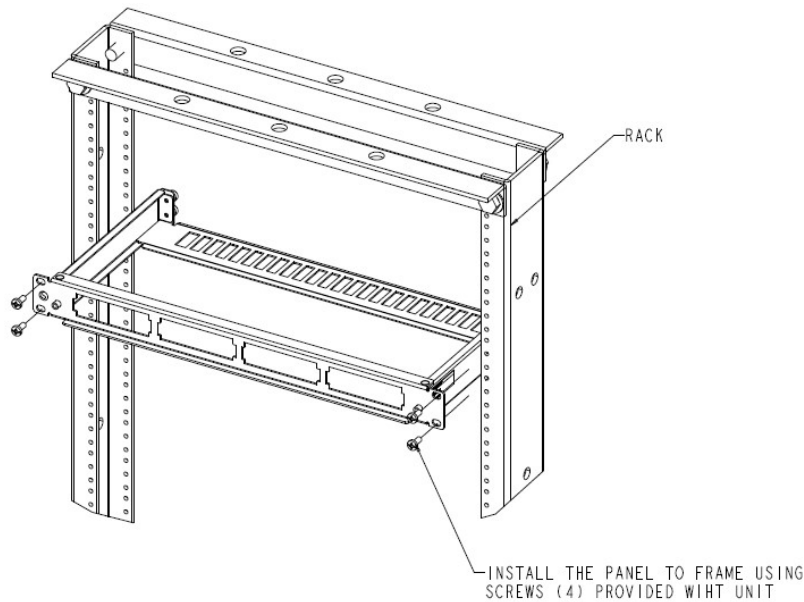
- Disconnected optical components may emit invisible optical radiation that can damage your eyes. Never look directly into an optical component that may have a laser coupled to it. Serious and permanent retinal damage is possible. If accidental exposure to laser radiation is suspected, consult a physician for an eye examination.
- Wearing safety glasses during installation of this shelf is recommended. Although standard safety glasses provide no protection from potential optical radiation, they offer protection from accidental airborne hardware and cleaning solvents.

Installation for 760241517 & 760241518



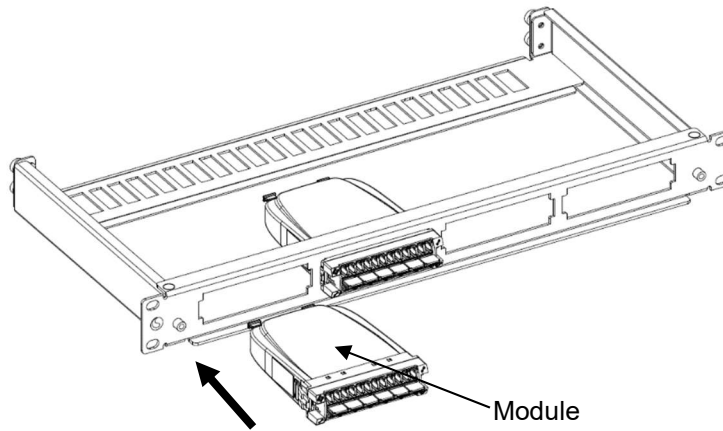
1. Open the package, open arm, and install the rear plate to arm.

Mount Shelf to Rack (Suitable for all shelves)

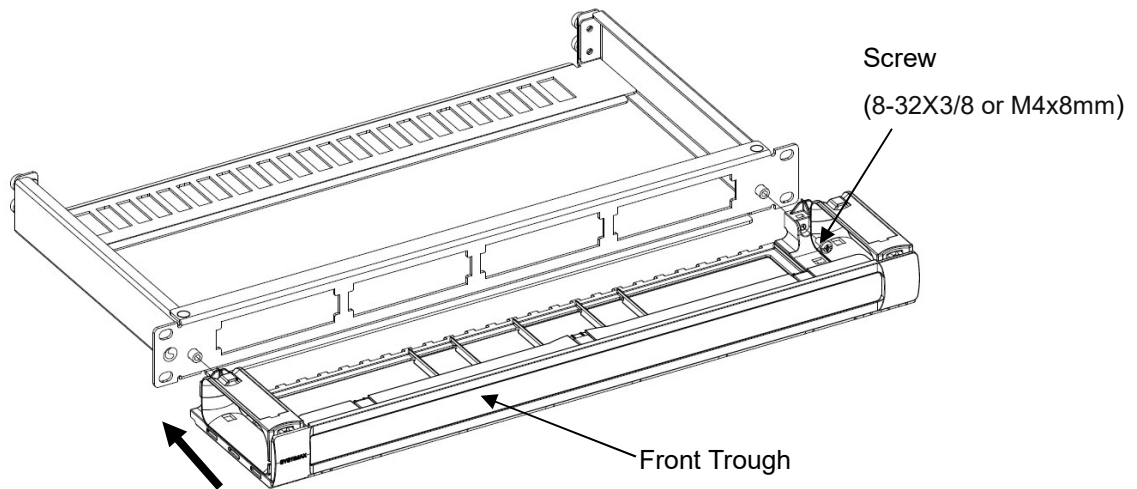


1. Determine the rack size and desired mounting location.
 - For 19-inch (483mm) rack – Mount shelf to rack using the pre-installed mounting brackets and four #12-24 x 1/2-inch screws (provided) as shown.
 - For 23-inch (584mm) rack – Use G2-23BRKT accessory kit (available separately) and install two conversion brackets to pre-installed mounting brackets, using four #10-32 x 3/8-inch conversion screws included in accessory kit. Use one conversion bracket and two screws per side. Mount shelf to rack using four #12-24 x 1/2-inch screws (provided as part of basic shelf).
 - For ETSI rack – Use G2-23BRKT accessory kit (available separately) and install one conversion bracket to either of the pre-installed mounting brackets, using two of four #10-32 x 3/8-inch conversion screws included in accessory kit. The shelf will not be centered when mounted in rack. Mount shelf to rack using four M6 x 12mm screws (not be provided as part of basic shelf).

Install the Modules to the Shelf (Suitable for all shelves)



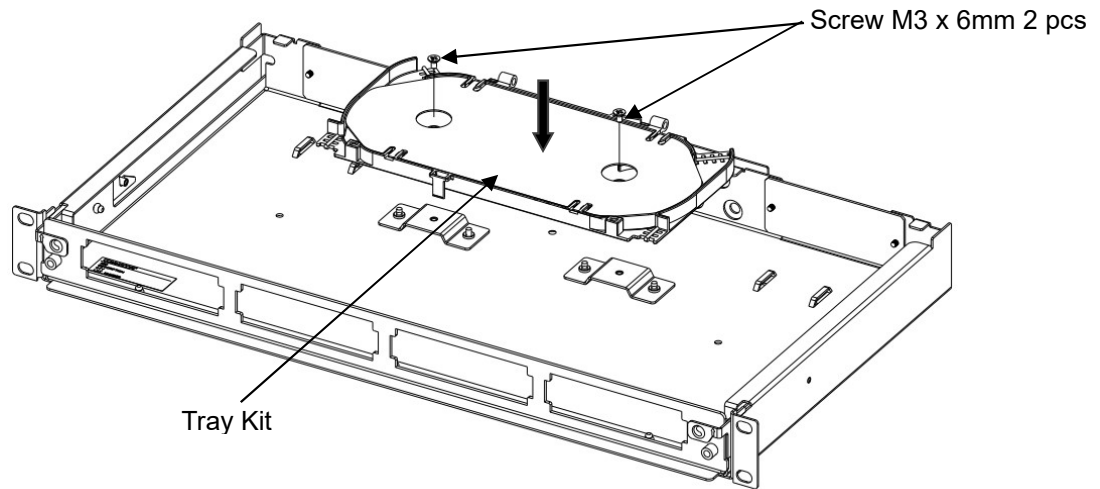
Install the Front Trough to the shelf (Suitable for 760241517 / 760242453 / 760242455 / 760242475 / 760242476)



Note:

1. The Front Trough **760193938** should be purchased separately.
2. For **760242475 / 760242476**, using the screw #8-32 x 3/8 inch 2 pcs (provided as part of the Trough).
3. For **760241517 / 760242453 / 760242455**, using the screw M4 x 8mm 2 pcs (not provided).

Install the Tray to shelf (Suitable for 760242455 / 760242475 / 760242476)

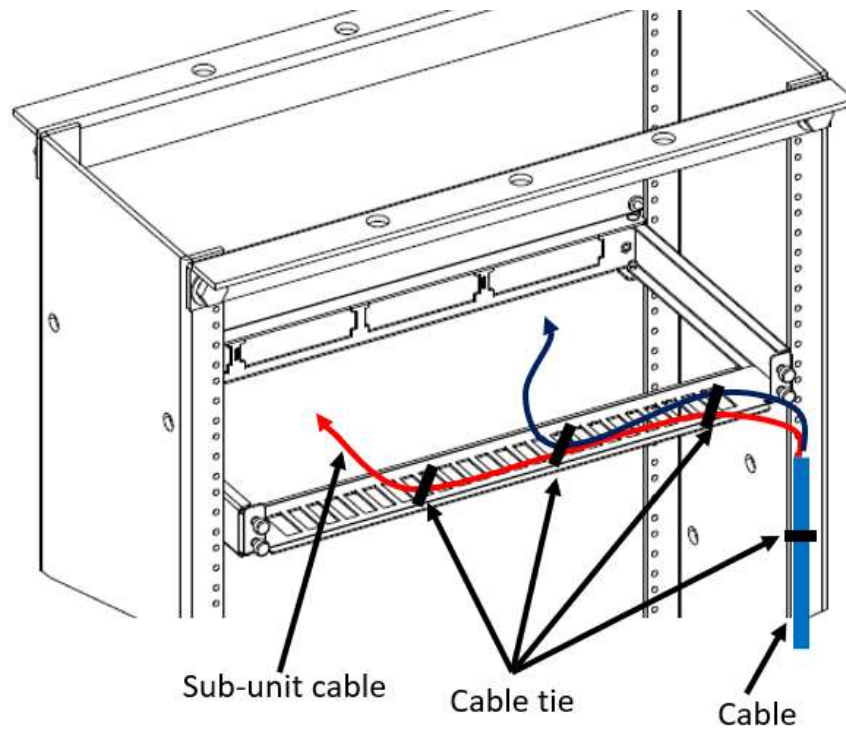


Note:

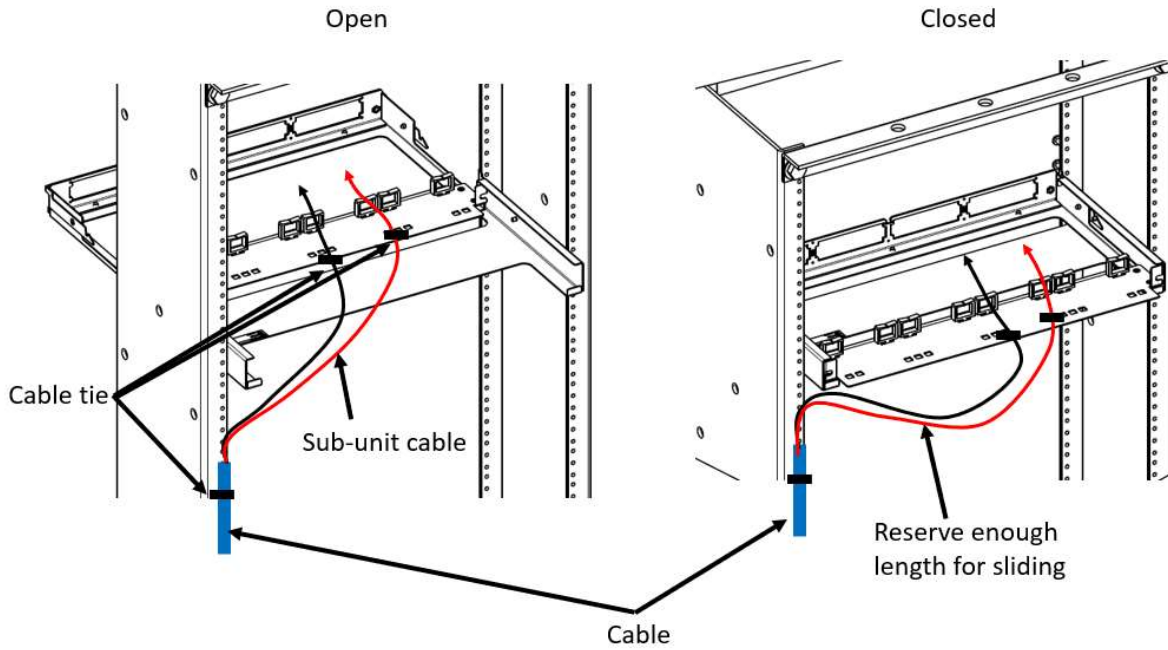
1. The Tray Kit **760241378** should be purchased separately.
2. Using M3 x 6mm 2 pcs to install the tray shelf (provided as part of the Tray Kit).

Route and Secure Fiber Cable

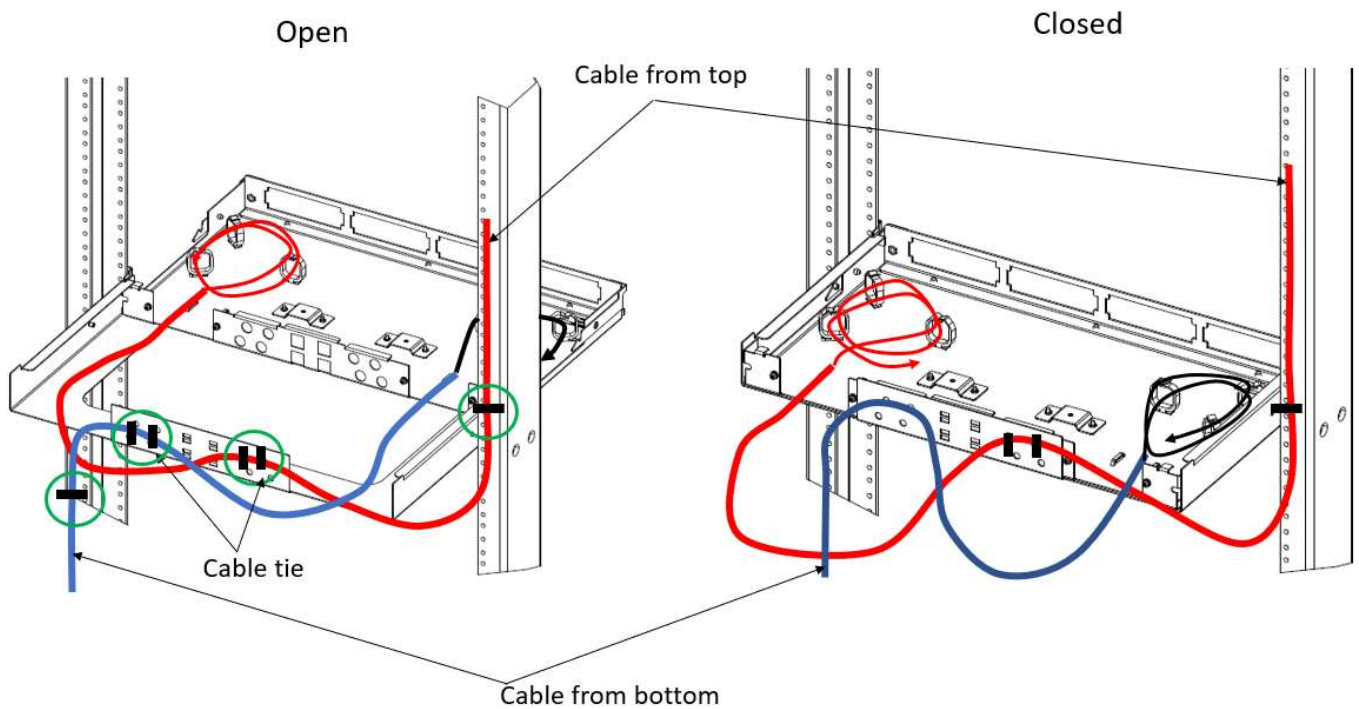
760241517 & 760241518



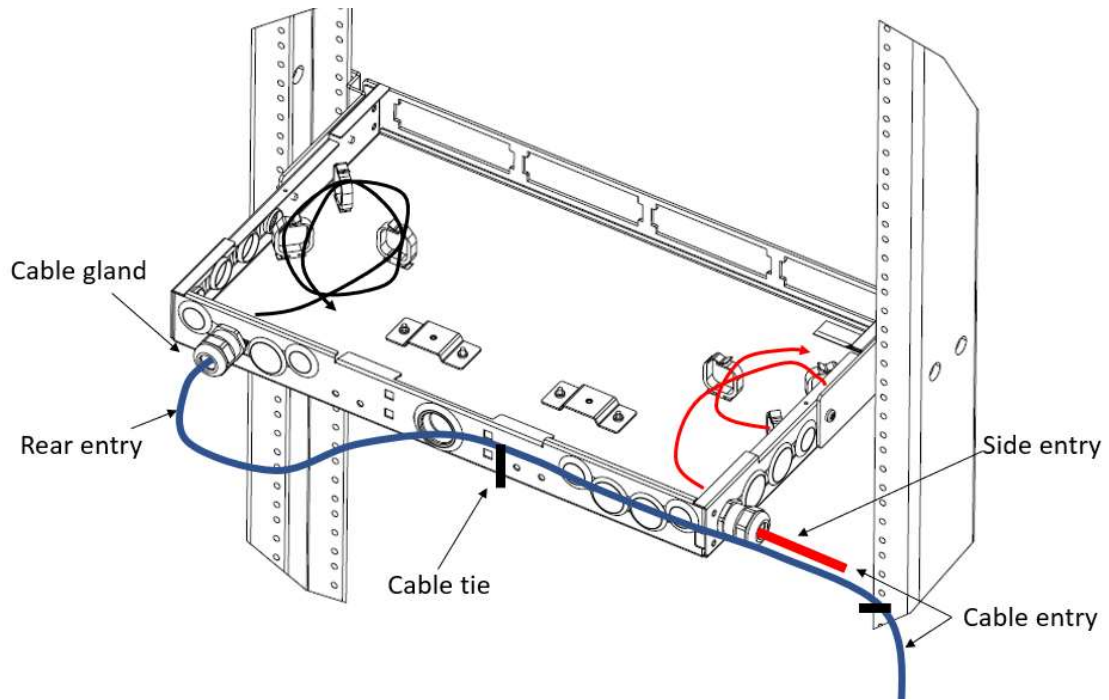
760242453 & 760242454



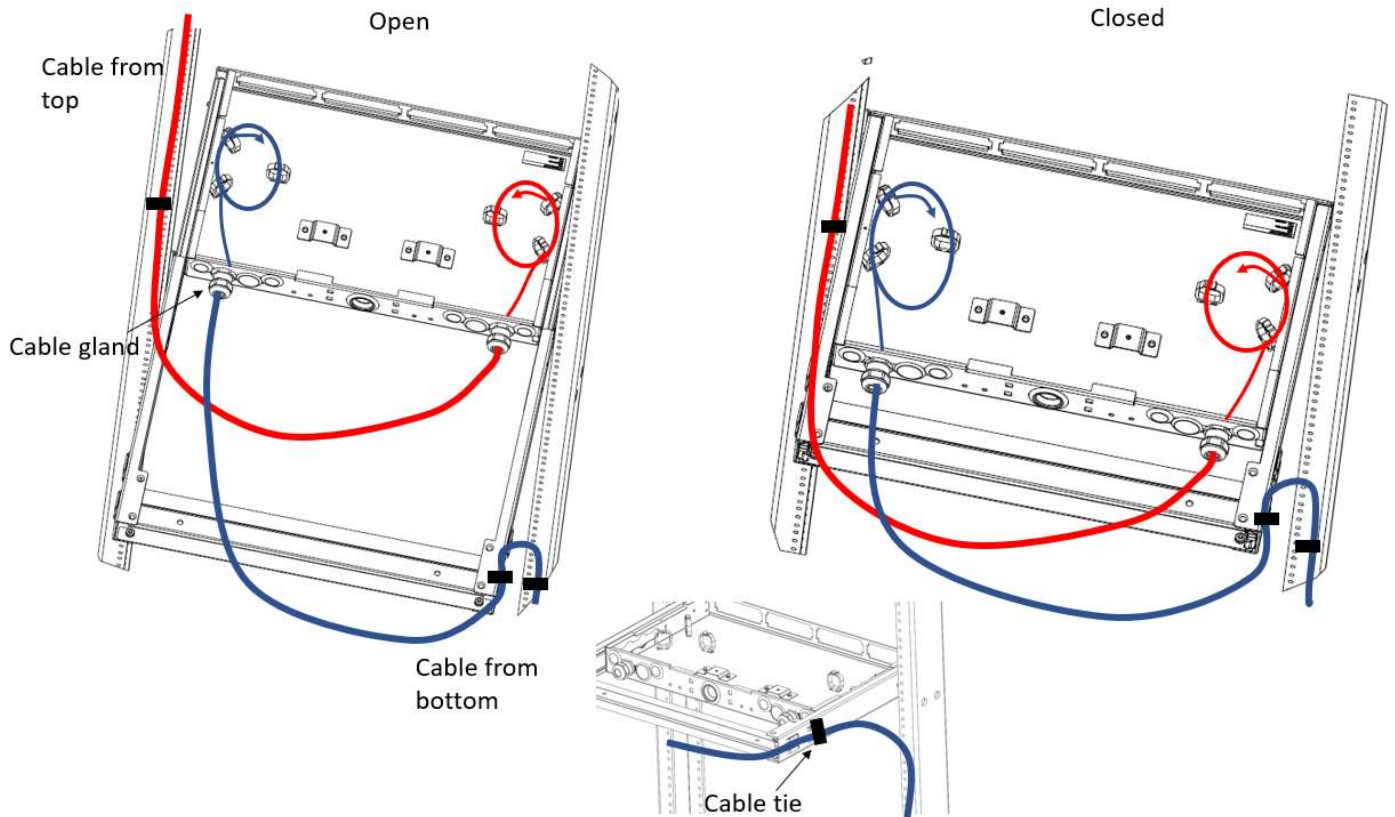
760242455



760242475

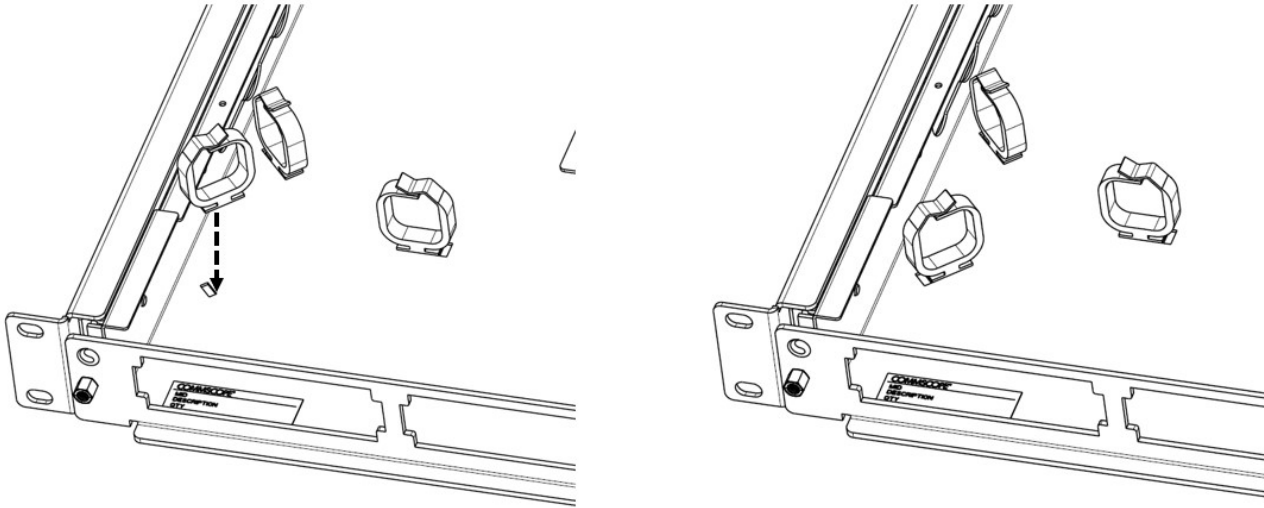


760242476



760242455 & 760242475 & 760242476

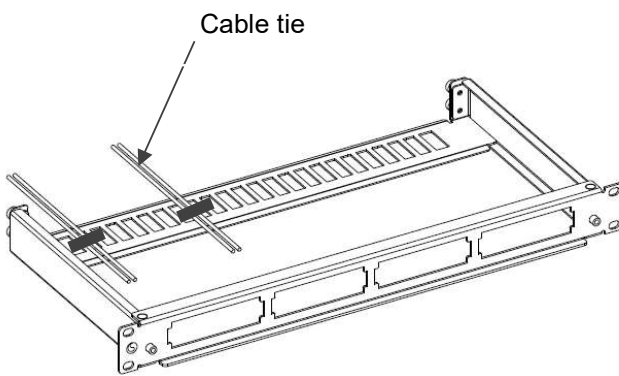
Clips (6 pcs) Location



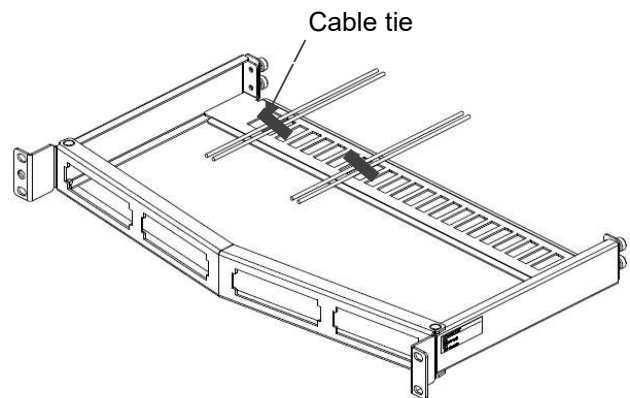
Stops for rings location, paste the adhesive ring on the shelf as the above pic. Typically, three rings as a group.

Cable Fixation in shelves

760241517 & 760241518

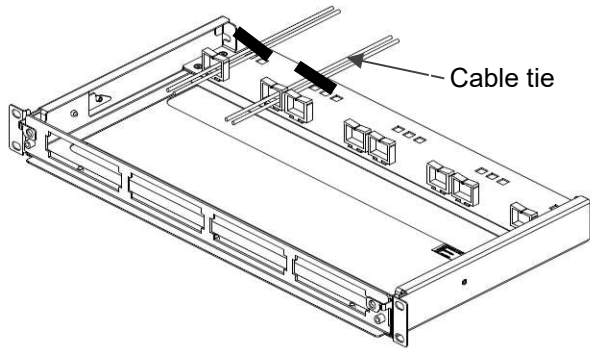


760241517

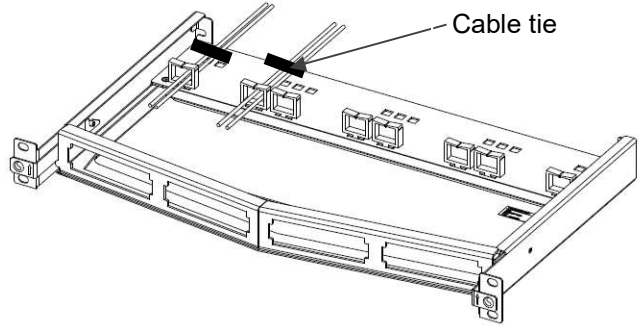


760241518

760242453 & 760242454

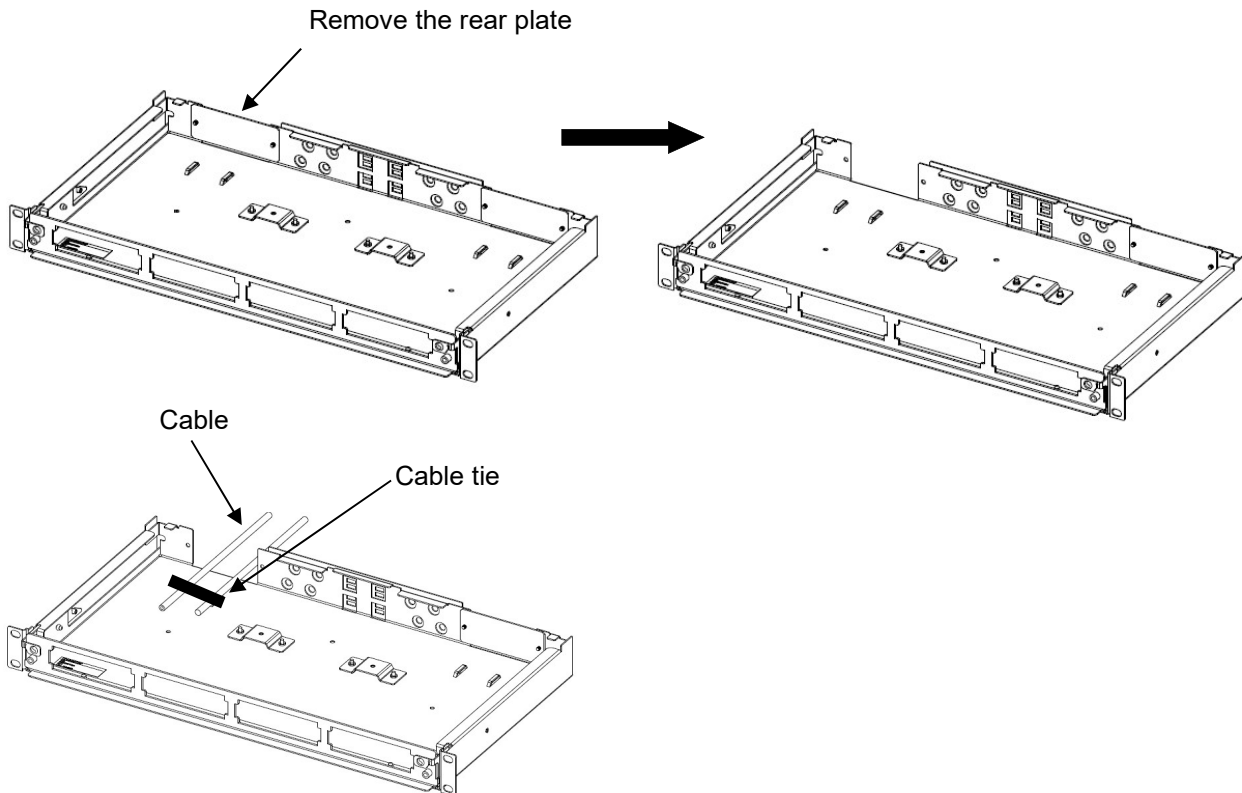


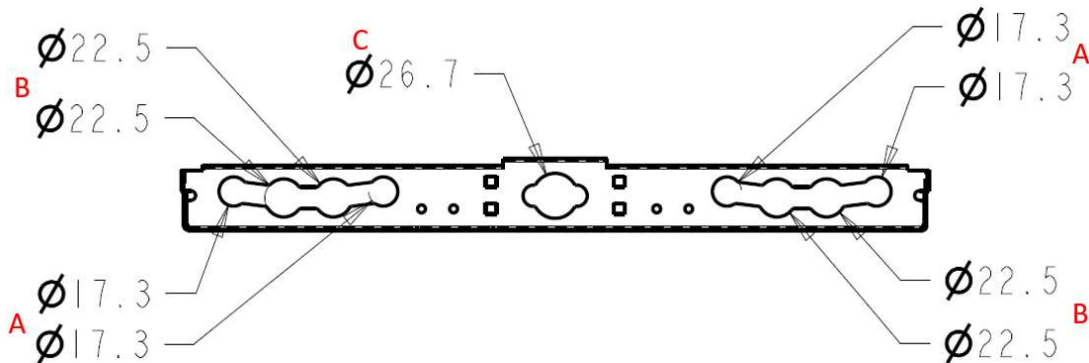
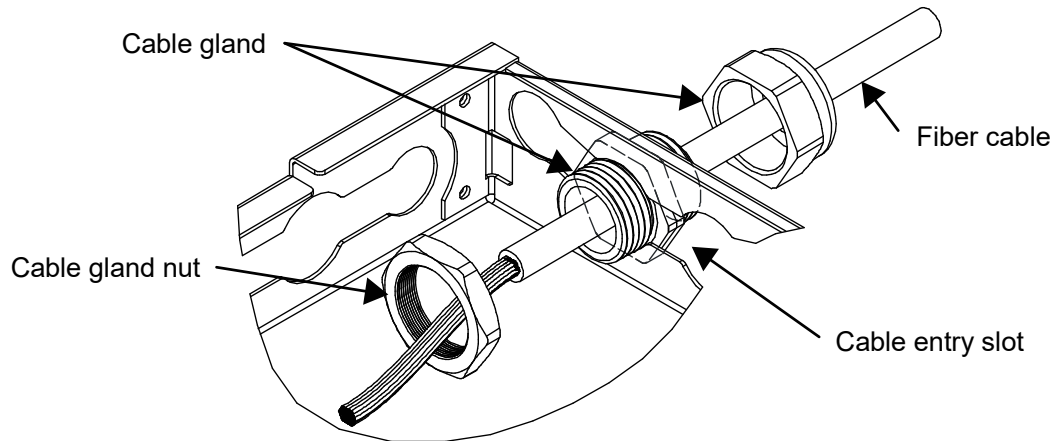
760242453



760242454

760242455



760242475 & 760242476**Cable gland (ordered separately,)****Hole A:**

- Cable gland PG9, 4~8mm range of cable diameter
- Cable gland M16, 4~7mm range of cable diameter
- Cable gland NPT 3/8", 4~8mm range of cable diameter

Hole B:

- Cable gland PG13.5, 6~12mm range of cable diameter
- Cable gland M20, 6~11mm range of cable diameter
- Cable gland NPT 1/2", 6~12mm range of cable diameter

Hole C:

- Cable gland PG19, 12~15mm range of cable diameter
- Cable gland M25, 10~16mm range of cable diameter
- Cable gland NPT 3/4", 13~18mm range of cable diameter

Splice Tray Kit (760241378, Single splicing, ordered separately)

The stackable splice tray's L x W x H is 220mm x 102mm x 10.2mm and its capacity is as below:

Cable type	Store capacity	Splice capacity	SMOUV holder type	SMOUV layer
0.25mm single fiber	48F	48F	SMOUV 1120-01 (L=60mm)	Single layer for (Max 24F) Dual layer for (Max 48F)
0.9mm single cable	48F	48F		

The transparent plastic top cover is snapped on to protect the routed fiber and splices while providing optimum visibility for inspection. Multiple trays could be snapped and stacked directly. Hinged design is also for easily operation and maintenance.

This product can be used indoor or outdoor in a suitable protective enclosure.

Note: Sample product image is shown as Figure 1.

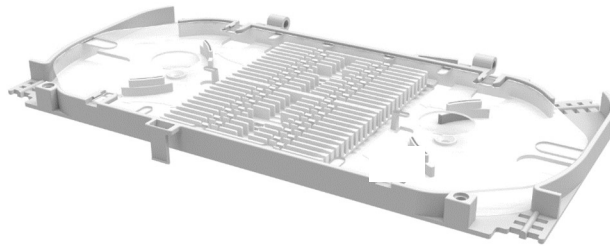


Figure 1

Tools Required

- Cable Stripper and cutters
- Fusion splice machine and related tools

Parts Image and List for 48F single fiber splicing application used in 1U FIBER OPTIC PANEL as an example as Figure 2.

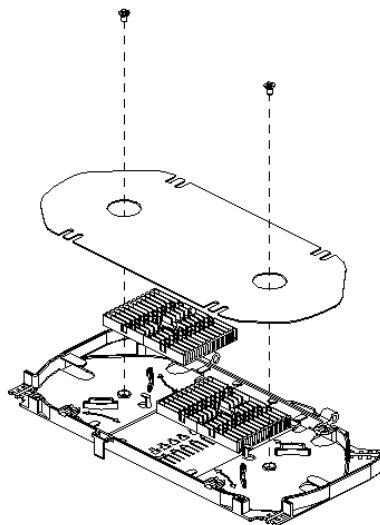


Figure 2

Verify parts against parts list below:

Quantity	Description	
1pc	FOSC550A IL TRAY	
1pc	FOSC550A IL TRAY LID	
2pcs	SMOUV HOLDER	
48pcs	SMOUV-1120-01	(Not shown in Figure 2)
4pcs	TRAY TABS CH	(Not shown in Figure 2)
2pcs	SCR,FH,TAP,XRES,M3X6,STL,TRICHRBLU	(Not shown in Figure 2)
0.2m	FOAM-STRIP-EPDM-ZK-15X1	(Not shown in Figure 2)
0.2m	SPIRAL TUBE	(Not shown in Figure 2)
8pcs	NYLON TIE WRAP 142MM	(Not shown in Figure2)

It is recommended to use same side tray cable entrances for the pigtails entry, the other side for incoming cables. For example, for the pigtails, we could use the back side two cable entrances, the back-left side for 24F 0.9mm pigtails, back-right side for another 24F. For the incoming cables, use the front side cable entrance, the front-right side for 48F cables if they are from the left side opening of panel, otherwise use the front-left side, as Figure 3

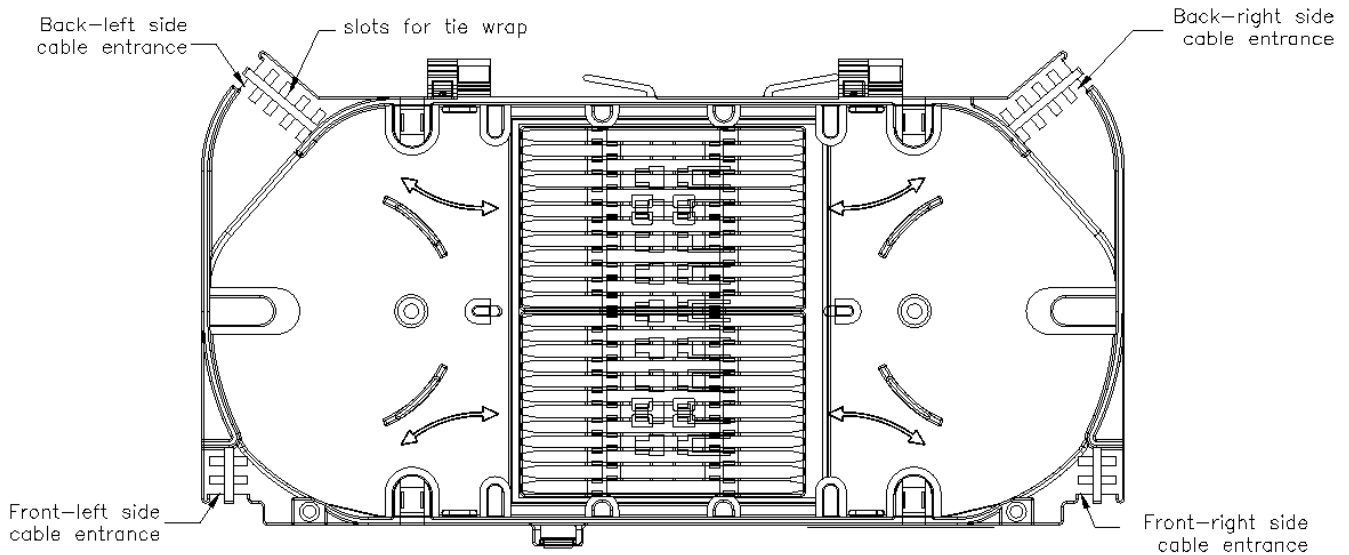


Figure 3

Incoming cable from the left side of shelf splicing as Figure 4.

The fiber overlenght

0.9mm fiber: Overlength can't be stored inside of tray, should be stored in shelf.

0.25mm fiber: Overlength can be stored inside of tray.

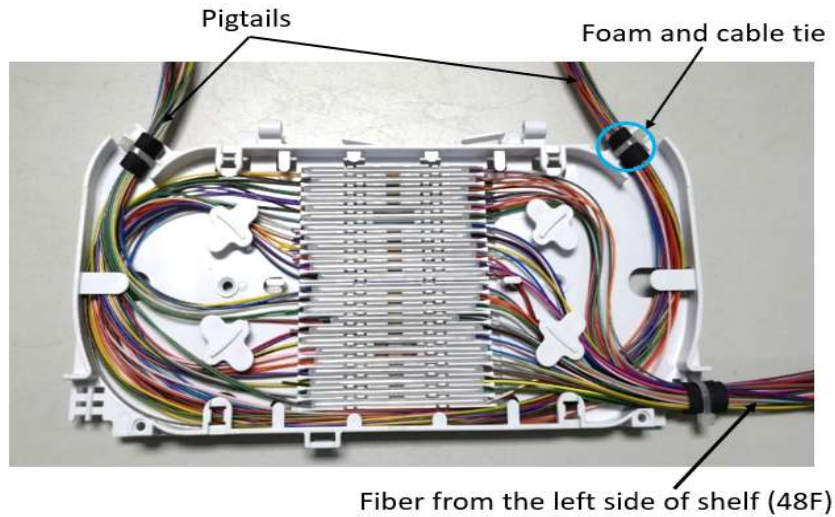


Figure 4

Note: It is recommended to splice in one layer in the SMOUV holder if no more than total 24F fibers splicing application in a tray.

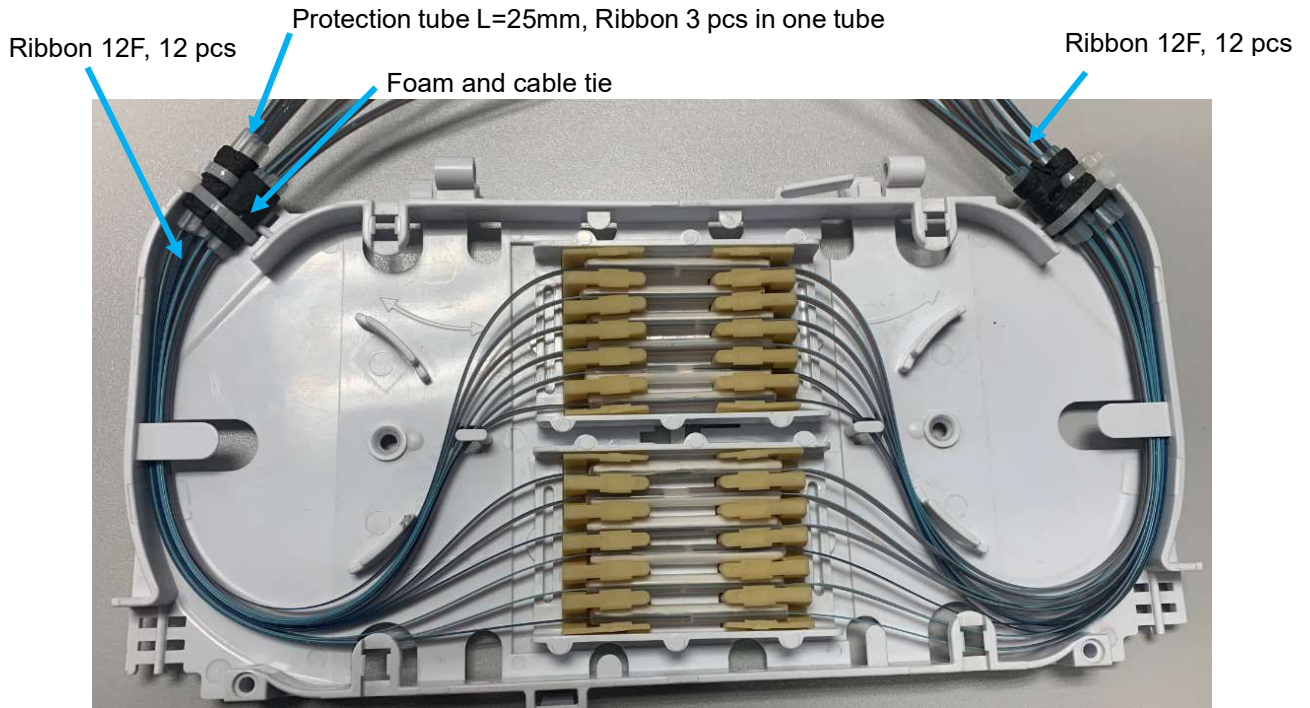
Splice Tray Kit (760243494, Ribbon splicing, ordered separately)

Splicing capacity, max ribbon fiber 12 pcs

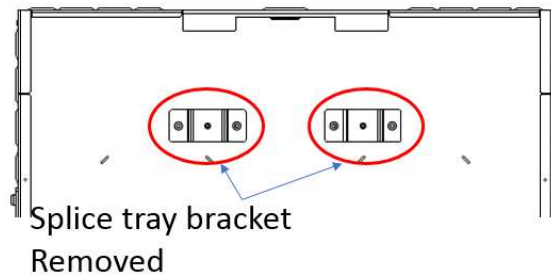
The kit including components as below

Quantity	Description
1pc	FOSC550A IL TRAY
1pc	FOSC550A IL TRAY LID
2pcs	SMOUV HOLDER
4pcs	RIBBON RUBBER INSERT
12pcs	SMOUV-1120-R2/12-02
4pcs	TRAY TABS CH
2pcs	M3X6,STL,TRICHRBLU
0.2m	FOAM-STRIP-EPDM-ZK-15X1
0.24m	RIBBON FIBER PROTECTION TUBE
8pcs	NYLON TIE WRAP 142MM

Use same side tray cable entrances for the pigtails and incoming fibers



RoloSplice tray (760039867 fusion splice or 760039859 mechanical splice, ordered separately)
Remove the brackets as below shown,



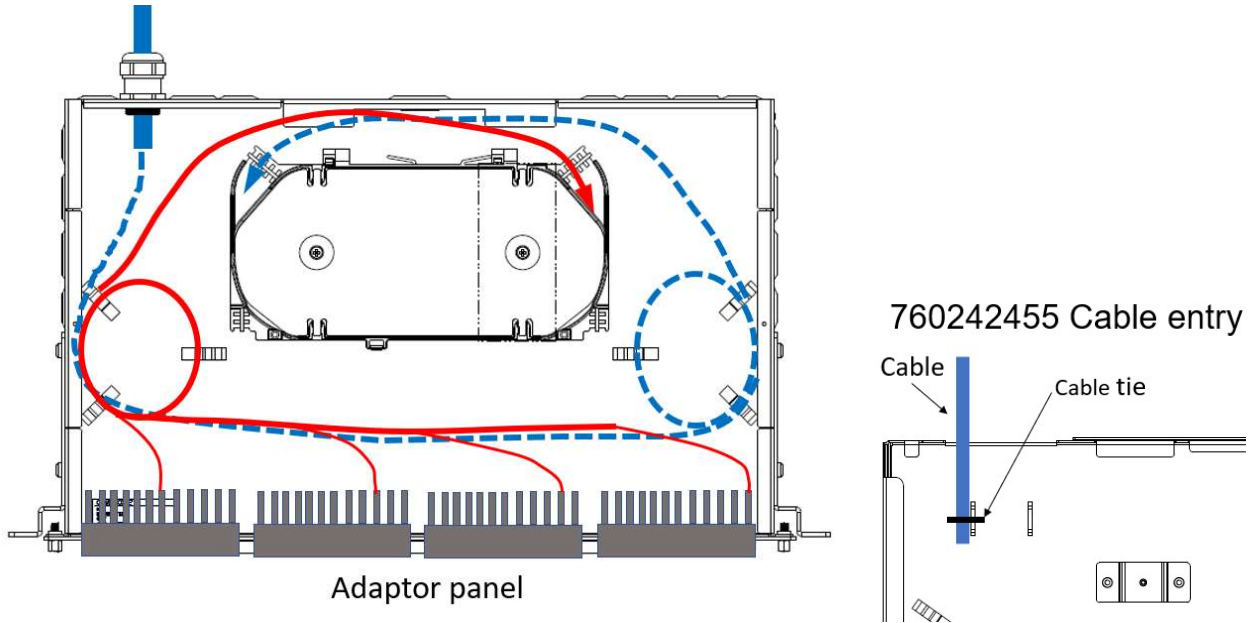
A completed 1U shelf with RoloSplice



Fiber routing in shelf (Suitable for 760242455 & 760242475 & 760242476)

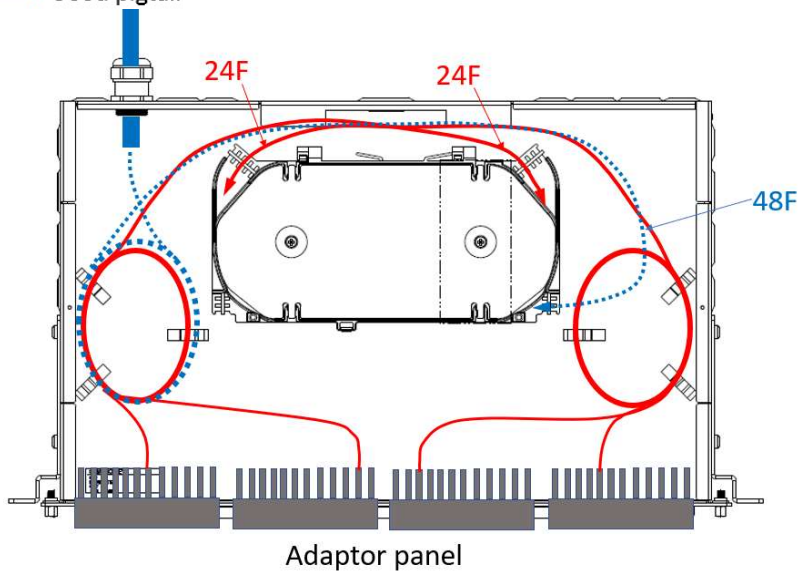
1. Loose tube cable- 250u & Ribbon (Fiber overlength can be stored inside of tray)

- Loose tube or Ribbon
- 900um pigtail or Ribbon



2. Distribution cable-900μ (Fiber overlength can't be stored inside of tray)

- 900u
- 900u pigtail



3. Distribution cable-900u (Semi tight buffered or loose fiber), stripping the fiber into the tray (the overlength of 0.25mm fiber can be stored inside of tray)

- 900u
- 900u pigtail

Stripping length

