



Benefits

- Provides fiber backhaul option for the H510 access point (AP).
- Converts the 10/100/1000Mbps ethernet from the AP to fiber via an SFP cage.
- Supports both PON and Active Fiber SFP modules
- Provides power supply to AP by converting DC input power to PoE out.
- Installs unnoticeably with H510 AP.

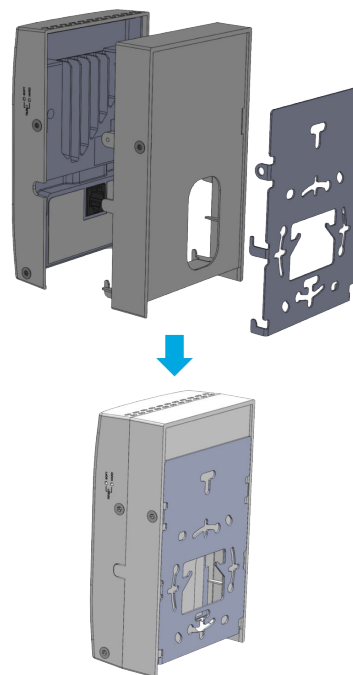
Fiber Backpack For H510

In the hospitality segment today, fiber-based deployments require an Optical Network Terminal (ONT) to connect access points (APs), deployed in hotel room, to fiber media. Most ONTs today don't support active and passive types of fiber SFP modules. In addition, installing an ONT along with an AP leads to wire clutter and other challenges, which can impact room aesthetics.

RUCKUS Fiber Backpack is an optional, field installable, Fiber-to-Ethernet Media Converter accessory providing customers a fiber Optic Network Terminal (ONT) backhaul interface for H510 Wall-plate AP, our leading hospitality AP.

RUCKUS Fiber Backpack simplifies Wi-Fi deployments for fiber-ready hotels/ MDU. The custom designed fiber backpack attaches unnoticeably to the H510. It supports both PON and Active Fiber SFP modules. It also provides power over PoE to the attached H510 AP.

Figure 1. H510 Fiber Backpack Wall Bracket



RUCKUS® Fiber Backpack

SPECIFICATIONS

PHYSICAL CHARACTERISTICS	
Power Supply	<ul style="list-style-type: none"> External 48V DC Power Supply 902-0170-XXYY DC Terminal Block <ul style="list-style-type: none"> DC Input Voltage Range: 42.5V to 57V Wire Gauge: 12 to 22 (AWG)
Physical Size	<ul style="list-style-type: none"> 8.95 x 14.67 x 2.45 cm (without cover) 8.95 x 14.67 x 4.18 cm (with cover)
Weight	<ul style="list-style-type: none"> 0.132 Kg (0.29 lb)
Ethernet Ports	<ul style="list-style-type: none"> 1Gbps port
Fiber	<ul style="list-style-type: none"> SFP, 1Gbps, NBASE-X
Environmental Conditions	<ul style="list-style-type: none"> Operating Temperature range: 0 to 40C Humidity: Up to 95% non-condensing
Mounting Options	<ul style="list-style-type: none"> Mounts on the wall with H510 mounted on the other (non-wall) side

POWER	
Max. Power Consumption	<ul style="list-style-type: none"> 1 W (max) without SFP module

Management and Monitoring Capabilities	
PON	<ul style="list-style-type: none"> IEEE 802.3ah-2005 compliance
1000Base-LX	<ul style="list-style-type: none"> IEEE 802.3ah-2005 compliance TS-1000 compliance

Certification Specifications	
Standards Compliance	<ul style="list-style-type: none"> EN 55032 Level 2/3 EMC EN 55024 EMC EN 50121-1 Railway EMC EN 50121-4 Railway Immunity EN 60601-1-2 Medical IEC 60950-1 & IEC 62368-1 Safety IEC 61373 Shock & Vibration EN 50155 Transportation ISTA 2A Transportation
Hazardous Materials	<ul style="list-style-type: none"> RoHS
Recycle Design	<ul style="list-style-type: none"> WEEE

PRODUCT ORDERING INFORMATION

Model	Description
P01-0500-0000	<ul style="list-style-type: none"> Fiber Optic Enclosure, Fiber-to-Ethernet Media Converter. Field Installable Accessory for H510

ACCESSORIES

OPTIONAL ACCESSORIES	
RUCKUS NBASE-X SFP MODULES	
E1MG-LX-OM	<ul style="list-style-type: none"> 1000Base-LX SFP optic, SMF, LC connector, Optical Monitoring Capable
E1MG-SX-OM	<ul style="list-style-type: none"> 1000Base-SX SFP optic, MMF, LC connector, Optical Monitoring Capable
POWER SUPPLY	
902-0170-XXYY	<ul style="list-style-type: none"> Power Supply (48V, 0.63A, 30.24W) (Sold in quantities of 1 or 10)
BACKPACK ACCESSORIES	
902-0501-0000	<ul style="list-style-type: none"> Installation kit with Backpack cover and installation wall bracket for Standalone Backpack use-case. Available in bulk packs (x25)
902-0502-0000	<ul style="list-style-type: none"> Cable cover to be installed on Backpack when 902-I100-XXXX (Ruckus IoT module with cover) is installed on H510. Available in bulk packs (x25)

PLEASE NOTE: When ordering PoE injectors or power supplies, you must specify the destination region by indicating -US, -EU, -AU, -BR, -CN, -IN, -JP, -KR, -SA, -UK, or -UN instead of -XX. YY specifies the quantity: 00 = 1 unit, 01 = 10 units.

RUCKUS® Fiber Backpack

CommScope pushes the boundaries of communications technology with game-changing ideas and ground-breaking discoveries that spark profound human achievement. We collaborate with our customers and partners to design, create and build the world's most advanced networks. It is our passion and commitment to identify the next opportunity and realize a better tomorrow. Discover more at [commscope.com](https://www.commscope.com)

COMMSCOPE®

[commscope.com](https://www.commscope.com)

Visit our website or contact your local CommScope representative for more information.

© 2021 CommScope, Inc. All rights reserved.

Unless otherwise noted, all trademarks identified by ® or ™ are registered trademarks, respectively, of CommScope, Inc. This document is for planning purposes only and is not intended to modify or supplement any specifications or warranties relating to CommScope products or services. CommScope is committed to the highest standards of business integrity and environmental sustainability with a number of CommScope's facilities across the globe certified in accordance with international standards, including ISO 9001, TL 9000, and ISO 14001.

Further information regarding CommScope's commitment can be found at www.commscope.com/About-Us/Corporate-Responsibility-and-Sustainability.