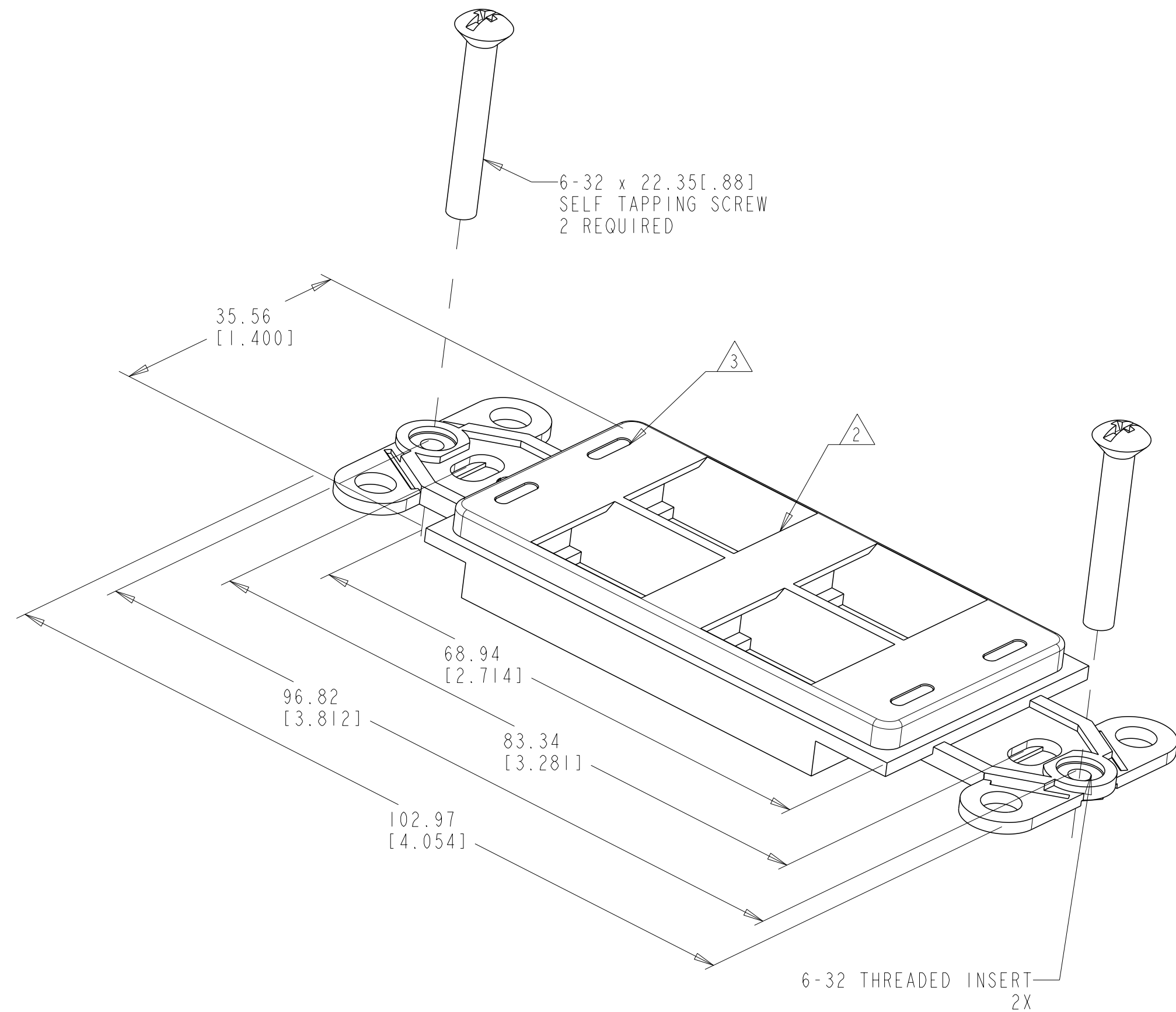


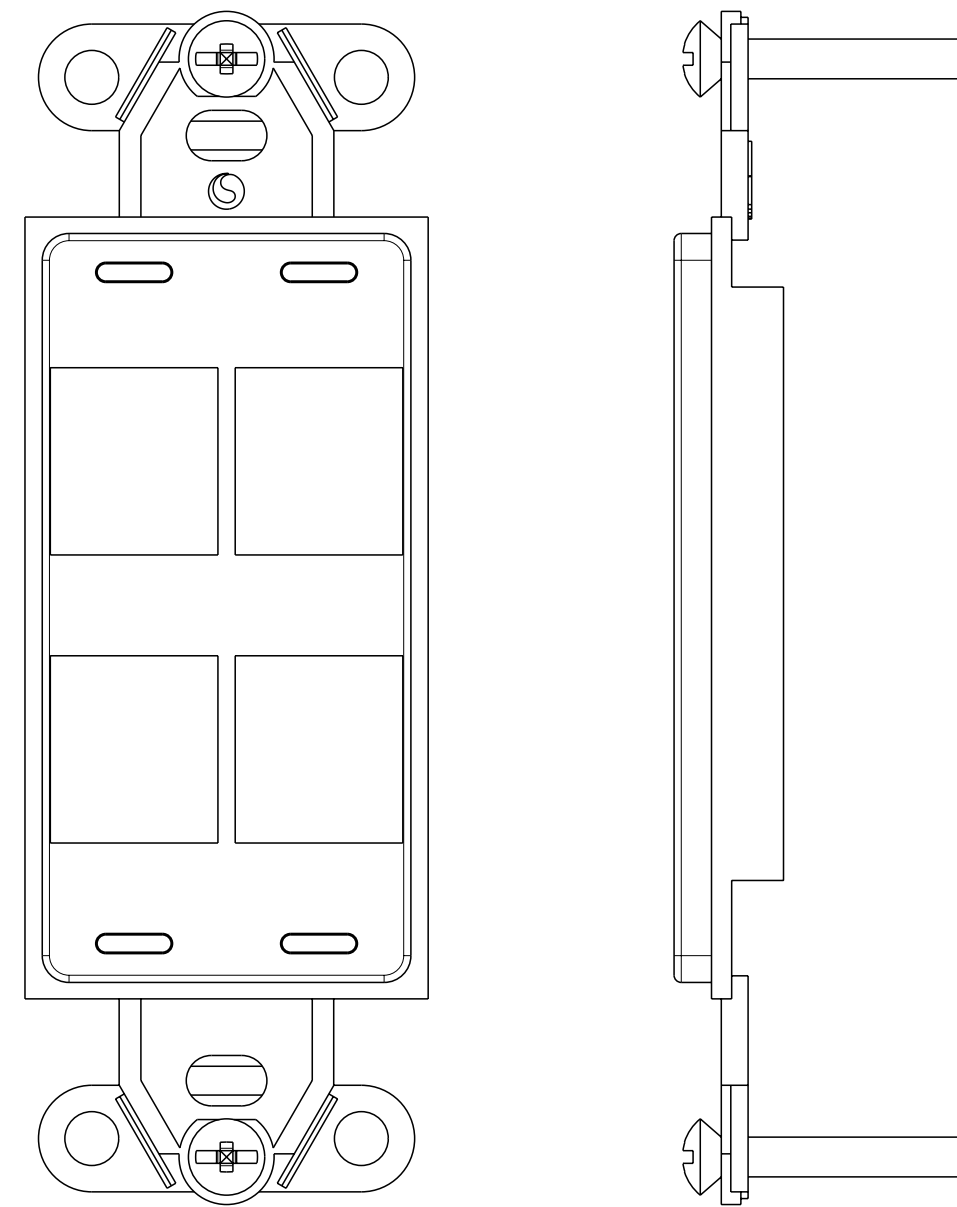
THIS DRAWING IS UNPUBLISHED.      RELEASED FOR PUBLICATION      20

© 2016 COMMSCOPE INC. CONFIDENTIAL      NOTICE: THESE DRAWINGS AND SPECIFICATIONS ARE THE PROPRIETARY PROPERTY OF COMMSCOPE, INC. AND MAY BE USED ONLY FOR THE SPECIFIC PURPOSE AUTHORIZED IN WRITING BY COMMSCOPE, INC.

REVISIONS				
P	LTR	DESCRIPTION	DATE	APVD
C		ECO-13-019955	26DEC2013	JM RA
D		REV; 40032662MCO	08AUG2016	GG LS



1. KIT SHIPPED WITH SCREWS NOT ASSEMBLED.
2. OPENINGS WILL ACCEPT 110 CONNECT JACKS, SL SERIES JACKS, MT-RJ OUTLET JACKS AND 110 CONNECT OR SL SERIES MULTIMEDIA INSERTS.
3. SLOTS WILL ACCEPT COLOR CODED ICONS.
4. DIMENSIONS ARE NOMINAL UNLESS OTHERWISE SPECIFIED.
5. MATERIAL: STRAP  
ABS MOLDING COMPOUND. SEE TABLE FOR COLOR.  
SCREWS - ZINC PLATED CARBON STEEL.  
THREADED INSERT - STAINLESS STEEL.



ALPINE WHITE	1-1479504-3
ELECTRIC IVORY	1-1479504-1
NEMA GRAY	1479504-4
WHITE	1479504-3
BLACK	1479504-2
LT. ALMOND	1479504-1
COLOR	PART NO.

THIS DRAWING IS A CONTROLLED DOCUMENT.		DWN L HALL	20JUN03	<b>COMMSCOPE, INC.</b>																					
DIMENSIONS: MM [INCHES]		CHK G. BOWMAN	20JUN03																						
TOLERANCES UNLESS OTHERWISE SPECIFIED:		APVD G. BOWMAN	20JUN03																						
<table border="0"> <tr><td>0 PLC</td><td>±</td></tr> <tr><td>1 PLC</td><td>±</td></tr> <tr><td>2 PLC</td><td>±</td></tr> <tr><td>3 PLC</td><td>±</td></tr> <tr><td>4 PLC</td><td>±</td></tr> <tr><td>ANGLES</td><td>±</td></tr> <tr><td>FINISH</td><td>-</td></tr> </table>		0 PLC	±	1 PLC	±	2 PLC	±	3 PLC	±	4 PLC	±	ANGLES	±	FINISH	-	<table border="0"> <tr><td>PRODUCT SPEC</td><td>-</td></tr> <tr><td>APPLICATION SPEC</td><td>-</td></tr> <tr><td>WEIGHT</td><td>-</td></tr> </table>		PRODUCT SPEC	-	APPLICATION SPEC	-	WEIGHT	-	NAME KIT, MOUNTING STRAP, DECORATOR, 4 PORT	
0 PLC	±																								
1 PLC	±																								
2 PLC	±																								
3 PLC	±																								
4 PLC	±																								
ANGLES	±																								
FINISH	-																								
PRODUCT SPEC	-																								
APPLICATION SPEC	-																								
WEIGHT	-																								
MATERIAL 5		SIZE A2	CAGE CODE -	DRAWING NO. C-1479504	RESTRICTED TO -																				
CUSTOMER DRAWING			SCALE 2:1	SHEET 1 OF 1	REV D																				