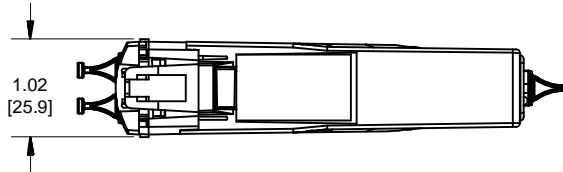
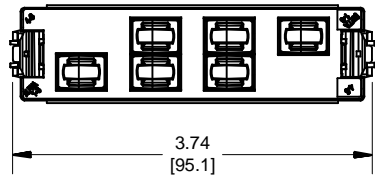
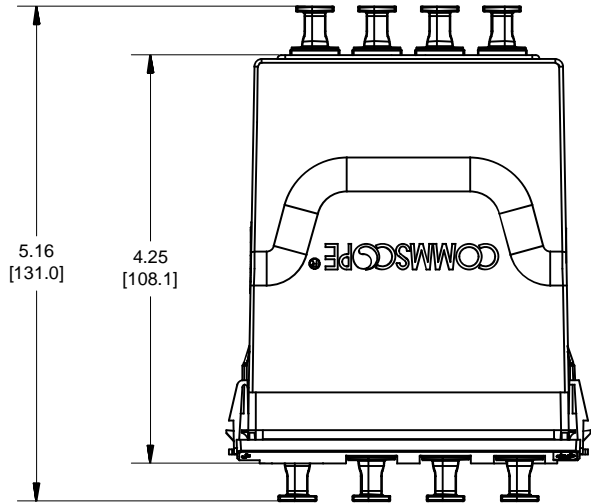


MATERIAL ID	DESCRIPTION
760200352	360CM 4X6 CONVERSION MODULE



NOTES:

1. SEE COMMSCOPE CATALOG FOR PART NUMBER SUFFIXES TO INDICATE COLOR/PKG.
2. SEE COMMSCOPE CATALOG FOR COMPLETE LIST OF PARTS RELATED TO THE USE OF THIS PRODUCT.
3. DIMENSIONS IN PARENTHESES ARE IN METRIC[MM].
4. PART INCLUDES:
(1) MODULE ASSEMBLY

360CM-4x6-LS

COMMSCOPE, INC OF NORTH CAROLINA

1	5/07/15		INITIAL ISSUE	CTS	DRAWN BY JW	
REV	DATE	ECR	DESCRIPTION	APPROVED BY	DATE 4/15/2013	DWG NO 760200352