

CHD-ES (Efficiency System) Solution

General

The CHD-ES is 1U solution and provides 144F ultra high density. It consists of various plates, fiber management trough, rack mounted bracket, and jumper removal tool. This solution is intended for indoor use.

Ordering information is listed below:

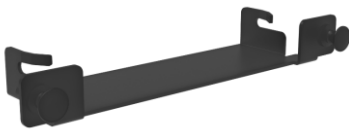
Material ID	Description	Remark
760248335	CHD-ES-1U	CHD-ES Empty Panel, Fixed, supports 12 pcs CHD-ES plates
760248336	CHD-ES-DM-ADPT	CHD-ES DM adapter plate, supports 1 pc CHD DM module
760248337	CHD-ES-BLANK	CHD-ES Blank plate
760248338	CHD-ES-DP-4MPO-B	CHD-ES 4xMPO adaptor plate
760248339	CHD-ES-TROUGH-1U	CHD-ES 1U Front trough
760249052	CHD-ES-RMB-5-3/4	CHD-ES Rack Mounted Bracket for 5 x 3/4" gland
760249053	CHD-ES-RMB-6-1/2	CHD-ES Rack Mounted Bracket for 6 x 1/2" gland
760240747	LC ACCESS TOOL	LC Jumper removal tool



760248335 CHD-ES-1U Empty Panel



760248339 CHD-ES-TROUGH-1U



760248336 CHD-ES-DM-ADPT



760248337 CHD-ES-BLANK



760248338 CHD-ES-DP-4MPO-B



760249052 CHD-ES-RMB-5-3/4

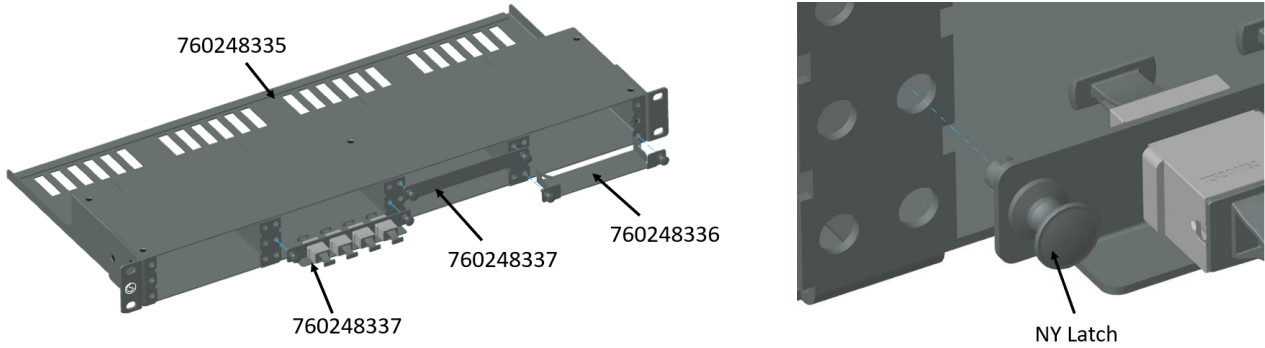


760249053 CHD-ES-RMB-6-1/2



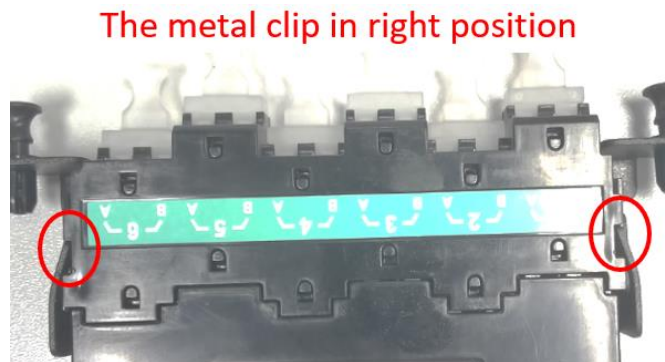
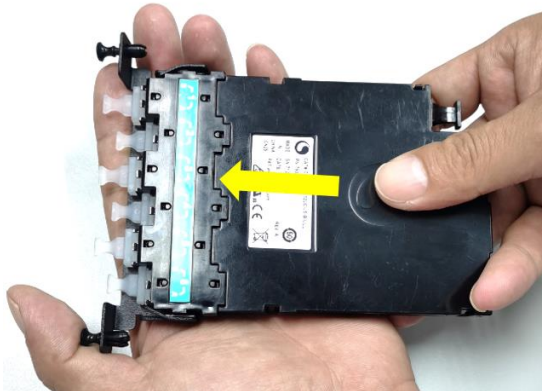
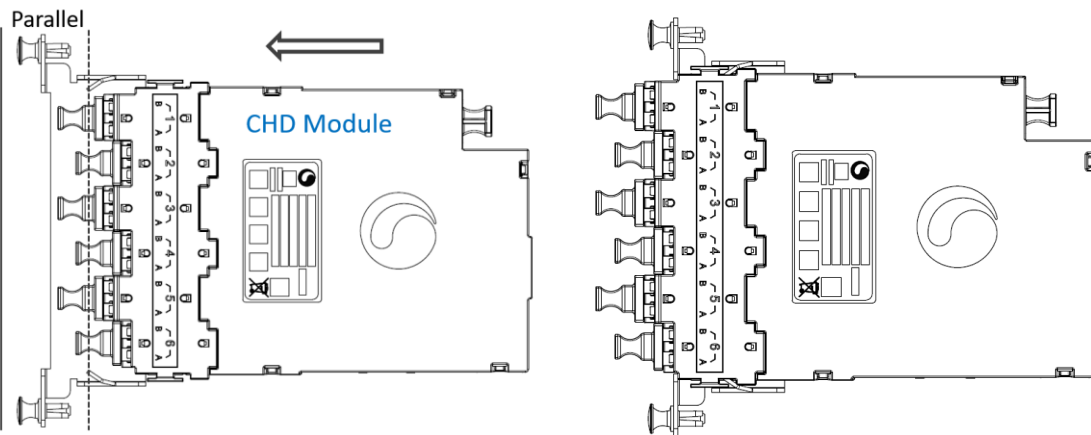
760240747 LC ACCESS TOOL

Install plate 760248336 / 760248337 / 760248338 to panel 760248335 with NY Latch



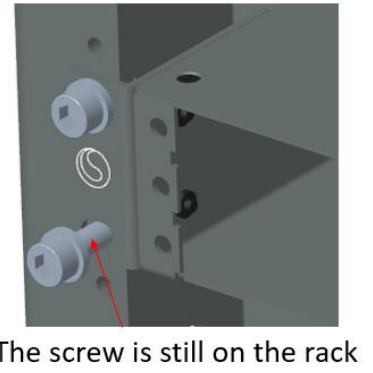
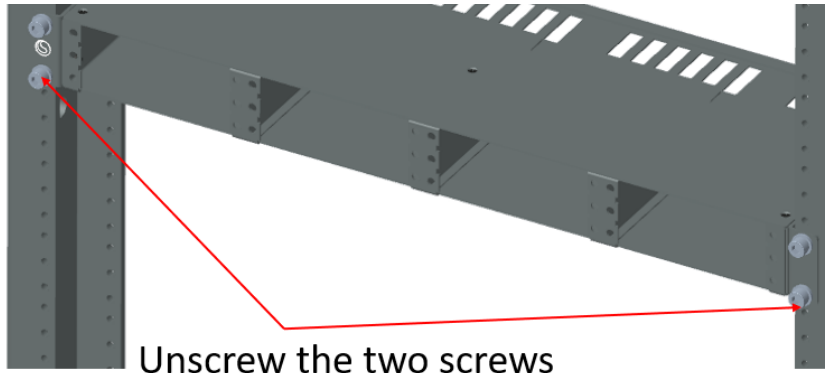
Install CHD DM Module (ordered separately) to Plate 760248336 (CHD-ES-DM-ADPT)

- a. Put the CHD module on the DM plate
- b. Insert the CHD module slowly in the arrow direction until the metal clips in right position.

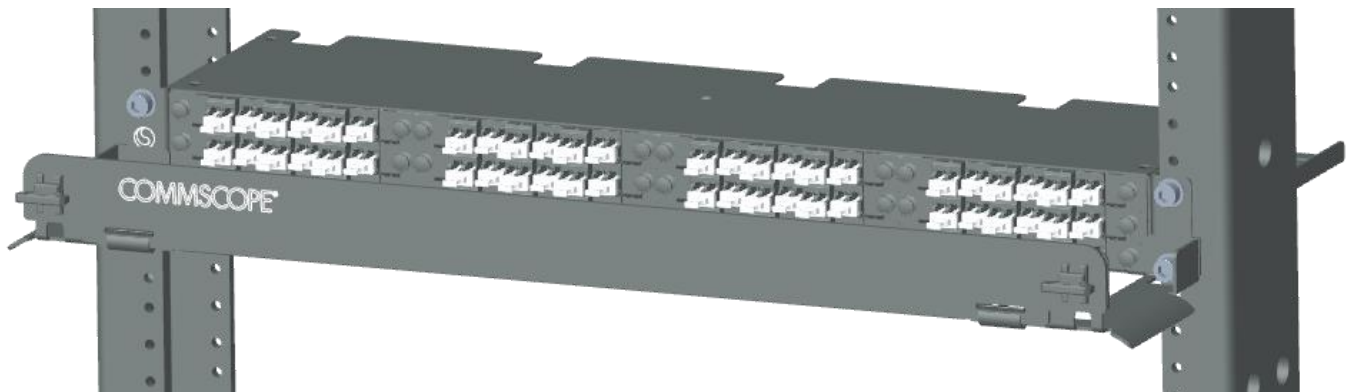
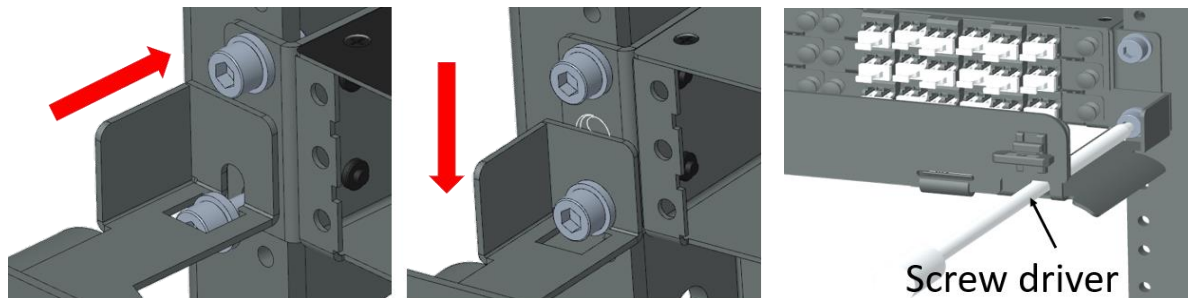


Install 760248339 (CHD-ES-TROUGH-1U) to Equipment Rack

- a. Unscrew the screws but do not unscrew them completely

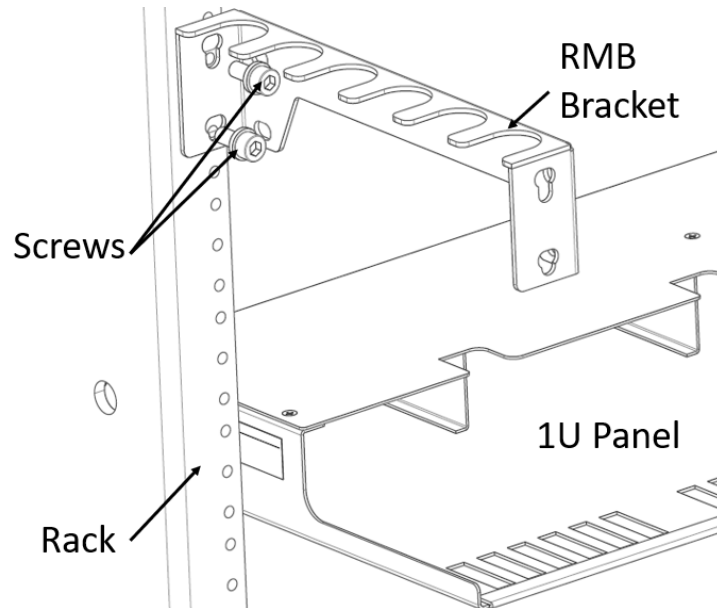


- b. Put the 1U trough on the rack as below shown, then tighten the two screws.

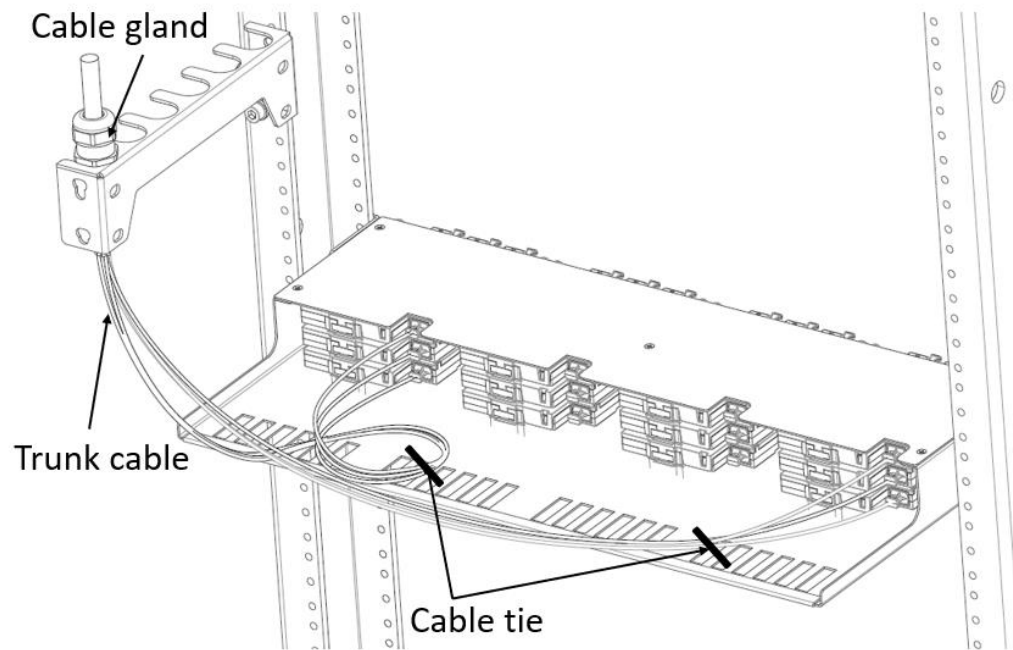


Routing Trunk Cable into a Panel

- a. Mount RMB Bracket to Equipment Rack



- b. Install Trunk Cable



How to Contact Us

- To find out more about **CommScope**® products, visit us on the web at <http://www.commscope.com/>
- For technical assistance, customer service, or to report any missing/damaged parts, visit us at <http://www.commscope.com/SupportCenter>