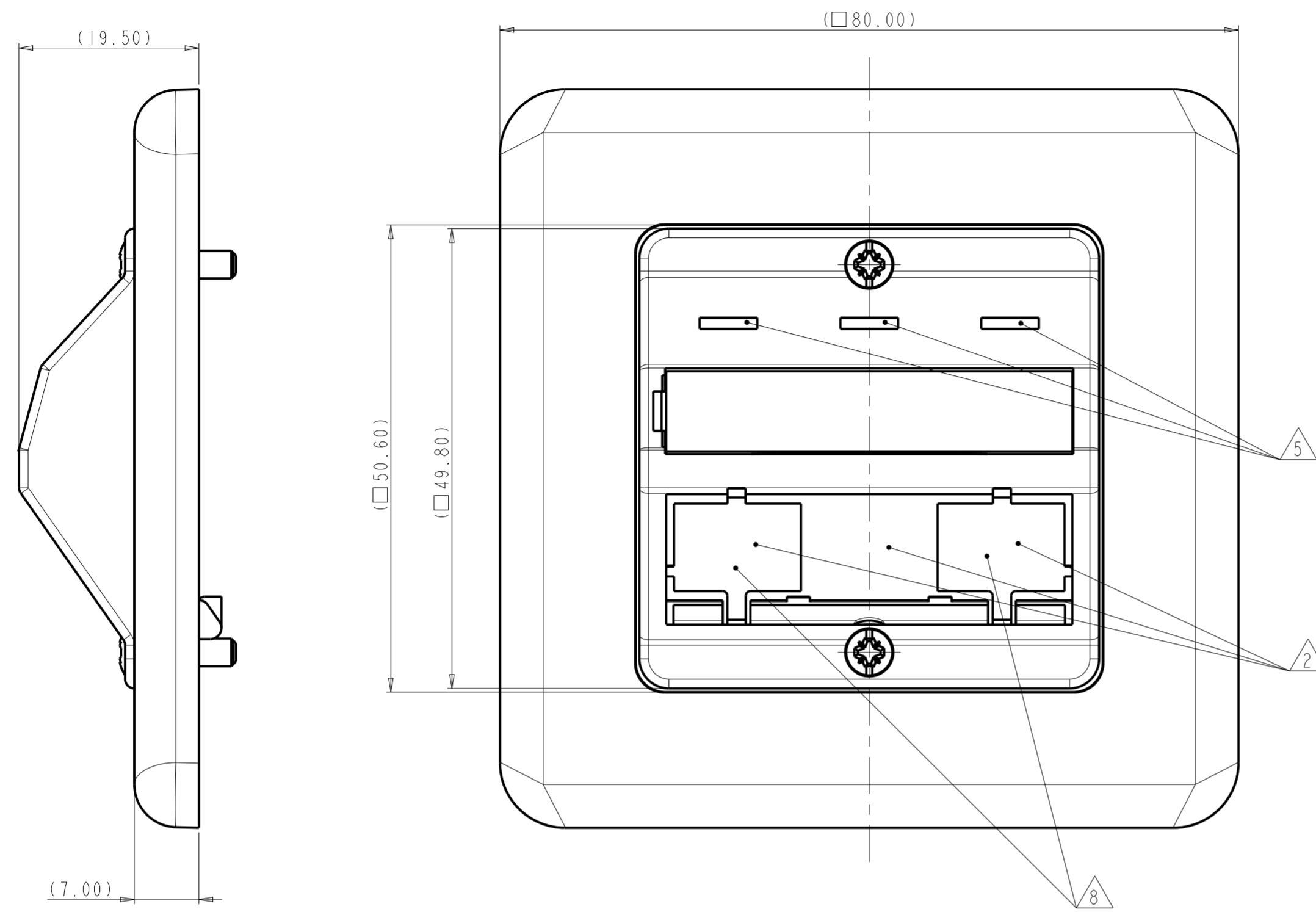
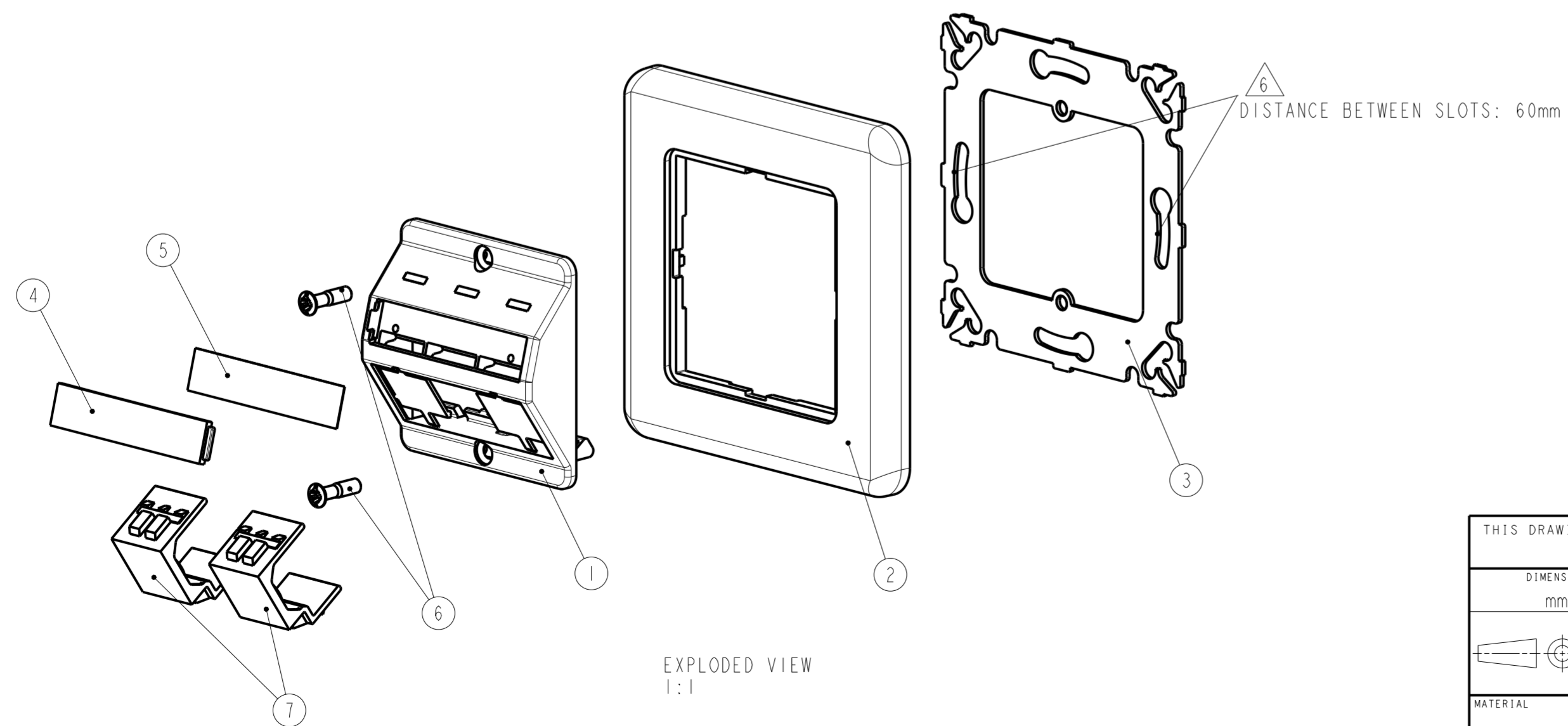


THIS DRAWING IS UNPUBLISHED. RELEASED FOR PUBLICATION
 © 2016 COMMSCOPE, INC. CONFIDENTIAL NOTICE: THESE DRAWINGS AND SPECIFICATIONS ARE THE PROPRIETARY PROPERTY OF COMMSCOPE, INC. AND MAY BE USED ONLY FOR THE SPECIFIC PURPOSE AUTHORIZED IN WRITING BY COMMSCOPE, INC.

REVISIONS				
P	LTR	DESCRIPTION	DATE	APVD
	D	REV PER BNS_CD_BRAND	02FEB2017	GG DC



- 1 PACKAGING UNIT:
1 KIT PACKED INTO 1 BAG,
AND 10 BAGS + 1 APPLICATION SPEC. PACKED INTO 1 CARDBOARD BOX
 - 2 OPENINGS ACCEPT AMP NETCONNECT SL SERIES,
TOOL-LESS, 110 JACKS (UNSHIELDED AND SHIELDED) AND BLANK INSERTS
 - 3. DIMENSIONS FOR REFERENCE ONLY
 - 4. LABEL (ITEM 5) AND LABEL COVER (ITEM 4) NOT ASSEMBLED ONTO FACEPLATE
 - 5 ICONABLE ZONE
 - 6 ITEM 3 ACCORDING TO STANDARDS
 - 7. SL SERIES CONNECTORS: ORDERED SEPARATELY
SL BLANK INSERT (ITEM 6): INCLUDED IN KIT
 - 8 BREAKABLE BLANK TAP
-
- 1 UNIDAD DE EMBALAJE:
1 CONJUNTO EMBALADO EN 1 BOLSA,
Y 10 BOLSAS + 1 ESPECIFICACIÓN DE APLICACIÓN EMBALADAS EN UNA CAJA
 - 2 LAS ABERTURAS ACEPTAN LAS SERIES SL DE AMP NETCONNECT,
TOOL-LESS, 110 JACKS (UNSHIELDED/SHIELDED) E INSERTS CIEGOS
 - 3. DIMENSIONES MOSTRADAS SÓLO COMO REFERENCIA
 - 4. LABEL (ITEM 5) Y LABEL COVER (ITEM 4) NO MONTADOS EN EL FACEPLATE
 - 5 ZONA PARA ICONOS
 - 6 ITEM 3 DE ACUERDO A STANDARDS
 - 7. CONECTORES DE LA SERIE SL: NO INCLUIDOS EN EL KIT
SL BLANK INSERT (ITEM 6): INCLUIDO EN EL KIT
 - 8 TAPETA ROMPIBLE



QTY	QTY	MATERIAL	DESCRIPTION	ITEM
1/10	1/10	PAPER	APPLICATION SPEC.	-
-	2	ABS	INSERT, BLANK, SL SERIES, ALMOND	7
2	-	ABS	INSERT, BLANK, SL SERIES, WHITE	
2	2	STEEL	FACEPLATE SCREW (M3)	6
1	1	PAPER	SET OF 5 LABELS (9 mm)	5
1	1	PC	LABEL COVER	4
1	1	STEEL	SHEET METAL FRAME, 71x71	3
-	1	PC	PLASTIC FRAME 80x80, ALMOND: RAL 1013	2
1	-	PC	PLASTIC FRAME 80x80, WHITE: RAL 9010	
-	1	PC	FACEPLATE 50x50, ALMOND; RAL 1013	1
1	-	PC	FACEPLATE 50x50, WHITE: RAL 9010	

THIS DRAWING IS A CONTROLLED DOCUMENT.

DWN: A. CARRERAS 25APR2001
 CHK: E. FRIAS 21MAR2002
 APVD: J. SANABRA 02JUL2003

COMMSCOPE, INC.

3 PORT DIN INSTALLATION KIT,
 FOR AMP NETCONNECT SL SERIES,
 WITH PLASTIC FRAME

SIZE: A2 CAGE CODE: G-336614 DRAWING NO: 114-22025 RESTRICTED TO: -

MATERIAL: SEE TABLE TOLERANCES UNLESS OTHERWISE SPECIFIED: DIMENSIONS: mm

0 PLC ±
 1 PLC ±
 2 PLC ±
 3 PLC ±
 4 PLC ±
 ANGLES ±
 FINISH ±

SCALE: 2:1 SHEET 1 OF 1 REV D