



FTTx Solutions – Outdoor FDH 3000

2025 PRODUCT CATALOG | 4TH EDITION

COMMScope®

Operational efficiency and scalability

CommScope's FTTx infrastructure solutions are designed for operational efficiency and scalability. These solutions simplify network installation, maintenance and management from the central office/head end to the outside plant.

The FDH 3000 is designed to meet and serve the distinct needs of diverse markets and customer segments. The unique design of the [FDH 3000](#) provides for rapid connection between fiber optic cables and passive optical devices such as splitters, WDM, and combiners in the outside plant segment of the network, facilitating fast service connection and reconfiguration, simplified network installations and improved installation efficiencies in the field.

Unique Design to Meet Diverse Customer Requirements

Scalable models from 24 to 1152 distribution ports are available to support both low and high density networks. Multiple cabinet designs accommodate nearly any network application.

Flexible and Modular

Standardized splitter, WDM, and combiner modules as well as growth panels for all FDH 3000 cabinets. Grow as you go.

Easy to Order

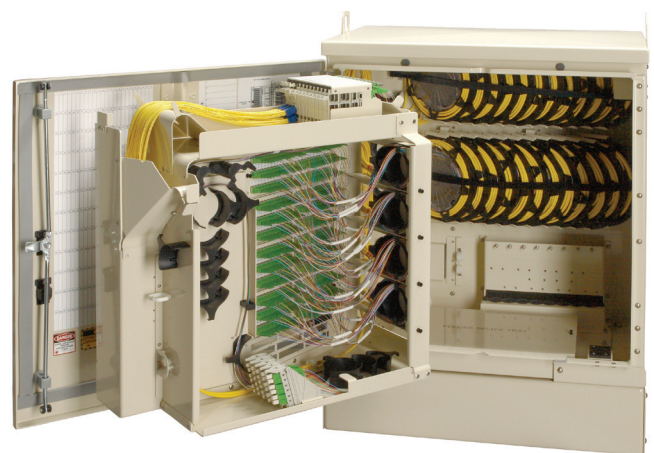
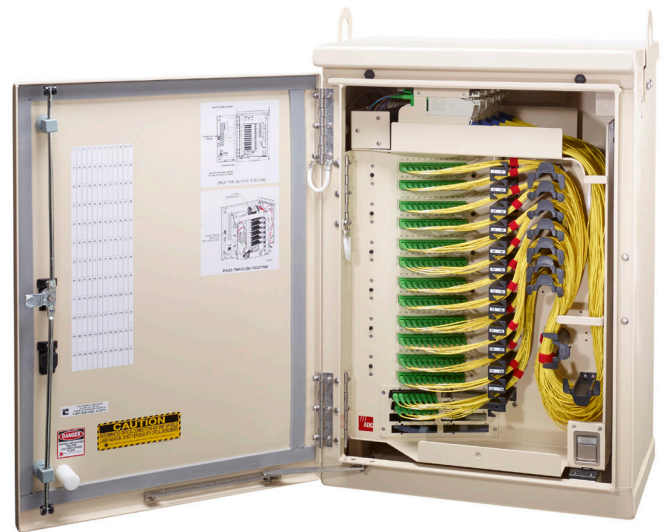
Streamlined configurations simplify the process.

Incorporates CommScope Quality and Innovation

CommScope is a high quality, industry-leading brand you can rely on to future-proof your network, with a complete portfolio of FTTx products to ensure seamless deployment and maintenance over the life of the network

The FDH 3000 incorporates four time-tested elements that have long impacted reliability, flexibility and operational costs within fiber networks:

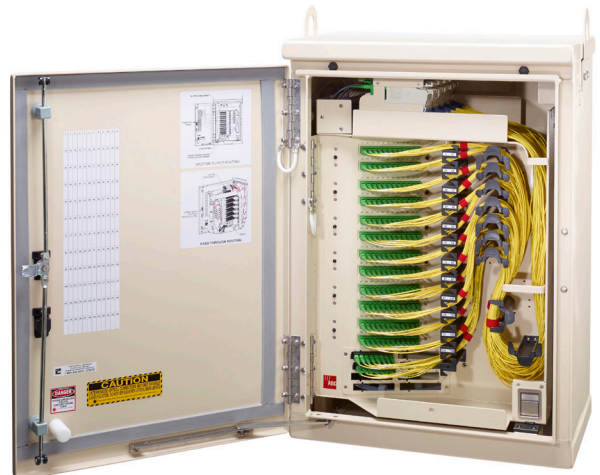
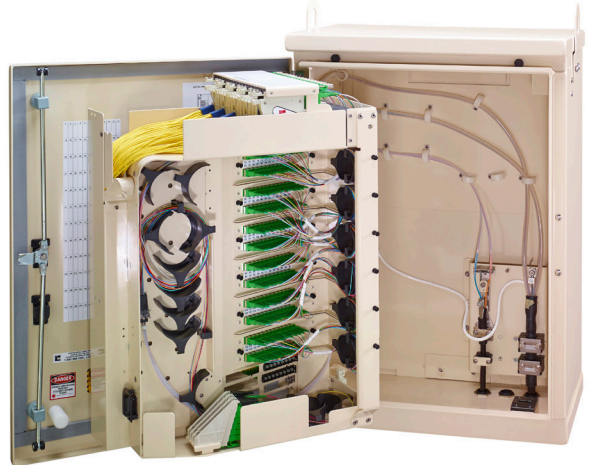
- Bend radius protection
- Intuitive cable routing
- Easy fiber/connector access
- Physical protection



CommScope-the innovation leader with over 35 patented and pending patent applications

Technician Friendly Features and Benefits

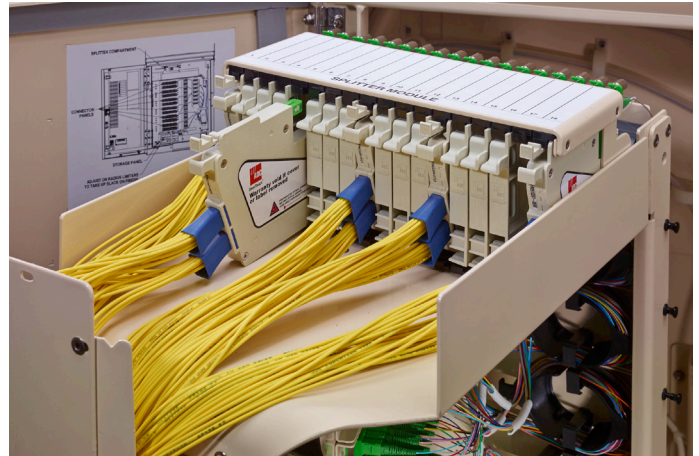
- Unique “swing-out frame” design allows for easy maintenance and access to back of distribution panels and cables
- Industry-leading splitter capacity
- Three-point latch provides weather-tight seal of cabinet
- Angled bulkhead panels eliminate 90° bends and assist technicians with cable routing
- Integrated slack storage spools allow for storage of excess fiber while providing positive bend radius control
- Parking lots hold and protect fiber splitter outputs until needed for service
- In-hub distribution splicing option incorporates splicing of distribution cables within the cabinet
- Feeder can be partitioned sending fibers either to the splitter chassis or passthrough
- Grow as you go capable for reduced upfront expense



Outdoor FDH 3000

Splitter Features and Benefits

- Allows for standardized [splitter modules](#) and accessories across all FDH 3000 cabinets
- Common “plug-and-play” splitter module with common output length
- Supports diverse splitter module configurations including: 1x2, dual 1x2, 1x4, dual 1x4, 1x8, dual 1x8, 1x16, dual 1x16, 1x32, 2x32, 1x64, and more
- Craft friendly splitter module design: easy to insert and remove without affecting adjacent splitters
- Intelligent, easy to use cable routing schemes
- Allows for true plug and play functionality with no splice required
- In addition, chassis supports a diverse range of CDWM, DWDM, coexistence, and combiner devices



Grounding Cable Location System

- Discrete ground and cable location access
- Allows for locating wires without entry into the cabinet



Fully Re-skinnable Shell

- Allows replacement of cabinet shell without a break in customer service
- Extensive accessory options available to replace doors, hardware, risers, handles, etc.



Product Line Overview

Outdoor FDH 3000 Cabinets are available in three application types

- Ground Mount with Stubs
- Pole Mount with Stubs
- Ground Mount with In-Hub Feeder/Distribution Splicing

All FDH 3000 Cabinets include superior features such as a swing frame, plug and play splitter chassis, and dust cap friendly parking lots.

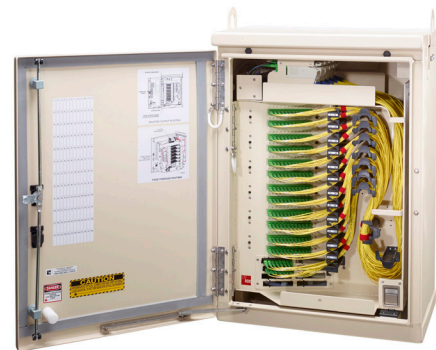
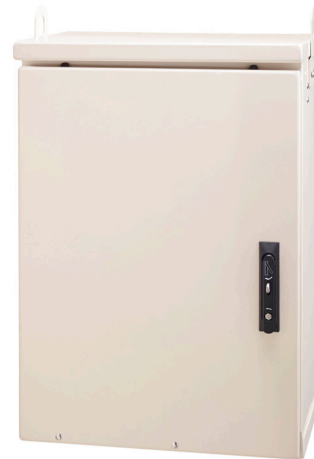
Ground Mount FDH 3000 Cabinets

Ground Mount FDH 3000 Cabinets are designed to be installed over a hand hole or a poured concrete pad. All four sizes of ground mount cabinets can include feeder and distribution stub cables that exit downward through the base of the cabinet. In addition, FD3-AC, AE, and AG sized cabinets (24-432f) can be configured with flat ribbon or stranded loose tube in-hub splicing pigtail options. Each ground mount cabinet is shipped with a factory installed 6" riser attached to the cabinet bottom. Riser extension options are available and sold as kits to attain up to 12" height. A kit is also available to convert some configurations of ground mount FDH 3000 cabinets to be pole mount capable. Contact CommScope [Technical Assistance Center](#) for ordering details.

Pole Mount FDH 3000 Cabinets

Pole Mount FDH 3000 Cabinets are designed for overhead/aerial cable plant installations and are available in FD3-AC, AE, and AG cabinet sizes (24-432)*. All three sizes of pole mount cabinets must use feeder and distribution stubs (no in-hub spliced options). Standard sized stubs are 100' and they can either exit from the rear going to the top or from the bottom going downwards.

* Custom 576 pole mount options available upon specific request.



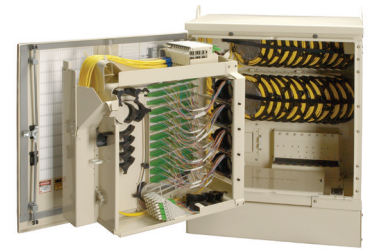
Front View of a Pole Mounted FD3-AE (288) sized FDH with Bottom Cable Entry Configuration



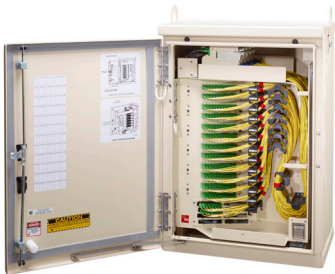
Rear View of a Pole Mounted FD3-AG (432) sized FDH with Rear Cable Exiting Upwards Configuration

FDH 3000 Cabinets with In-Hub Splicing Option

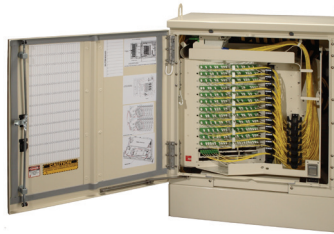
Ground Mount FDH 3000 cabinets are designed to be installed over a hand hole or concrete pad and integrate the ability to in-hub splice both feeder and distribution ribbon or stranded loose tube cables into the cabinet. This product offers design flexibility for applications where a hand hole for stub cable splicing is not available or desirable. In-Hub Splicing Cabinets are available only in ground mount FD3-AC, AE, and AG cabinet sizes (24-576), and are shipped with a factory installed 6" riser attached to the cabinet bottom.



Ground Mount FD3-AE (288) Sized Configuration with In-Hub Distribution Cable Splicing



FD3-AC
Extra Small
(24-144)



FD3-AE
Small
(72-288)



FD3-AG
Medium
(72-576)



FD3-AJ
Large
(72-1152)

FDH 3000 Specs

	Cabinet	Size (HxWxD)	Unit Weight*	Access	Mounting Options	Splitter Slots	Pass Through Fibers	Cable Exit Location
Ground Mount	FD3-AC (24-144)	36" x 21" x 14" (91.4 x 53.3 x 35.6 cm)	120 lbs (54.5 kg)	All Front	Ground	18	18	Bottom
	FD3-AE (72-288)	36" x 27" x 18" (91.4 x 68.58 x 45.72 cm)	140 lbs (63.5 kg)	All Front	Ground	24	36	Bottom
	FD3-AG (72-576)	42" x 27" x 18" (106.68 x 68.58 x 45.72 cm)	225 lbs (102 kg)	All Front	Ground	30	36	Bottom
	FD3-AJ (72-1152)	49" x 47" x 20" (124.5 x 119.4 x 50.8 cm)	340 lbs (154 kg)	All Front	Ground	48	72	Bottom
Pole Mount	FD3-AC	30" x 21" x 14" (76.2 x 53.3 x 35.6 cm)	115 lbs (52 kg)	All Front	Pole	18	18	Rear to Top or Bottom
	FD3-AE	30" x 27" x 18" (76.2 x 68.58 x 45.72 cm)	130 lbs (59 kg)	All Front	Pole	24	36	Rear to Top or Bottom
	FD3-AG	36" x 27" x 18" (91.4 x 68.58 x 45.72 cm)	295 lbs (134 kg)	All Front	Pole	30	36	Rear to Top or Bottom
In-Hub Splice	FD3-AC	36" x 21" x 14" (91.4 x 53.3 x 35.6 cm)	130 lbs (59 kg)	All Front	Ground	9	18	Bottom
	FD3-AE	36" x 27" x 18" (91.4 x 68.58 x 45.72 cm)	105 lbs (60 kg)	All Front	Ground	12	36	Bottom
	FD3-AG	42" x 27" x 18" (106.68 x 68.58 x 45.72 cm)	225 lbs (102 kg)	All Front	Ground	22	36	Bottom

Splitters

The FDH 3000 utilizes a Mini Plug-and-Play (PNP) Passive Optical Device (POD) Module which is common to all of the cabinets and features a common output length. This module allows for true plug-and-play non-spliced flexibility and testing. Modules support split, WDM, and combining functions.

- Standardized OSP GR-1209 and GR-1221 rated passive optical modules for all cabinet sizes
- Features bend-optimized fiber and ruggedized extreme temperature cabling rated for material handling in cold temperatures and superior loss performance at 1490 and 1550 nm wavelengths
- Rated from -55° C to 85° C
- Allows pass-through of up to 2 fibers per splitter slot
- Splitters are easy to insert and remove without affecting adjacent splitters
- Reversible dust cap makes test and turn-up easy
- Wide band pass 1260-1635 nm to ensure optical performance for all applications

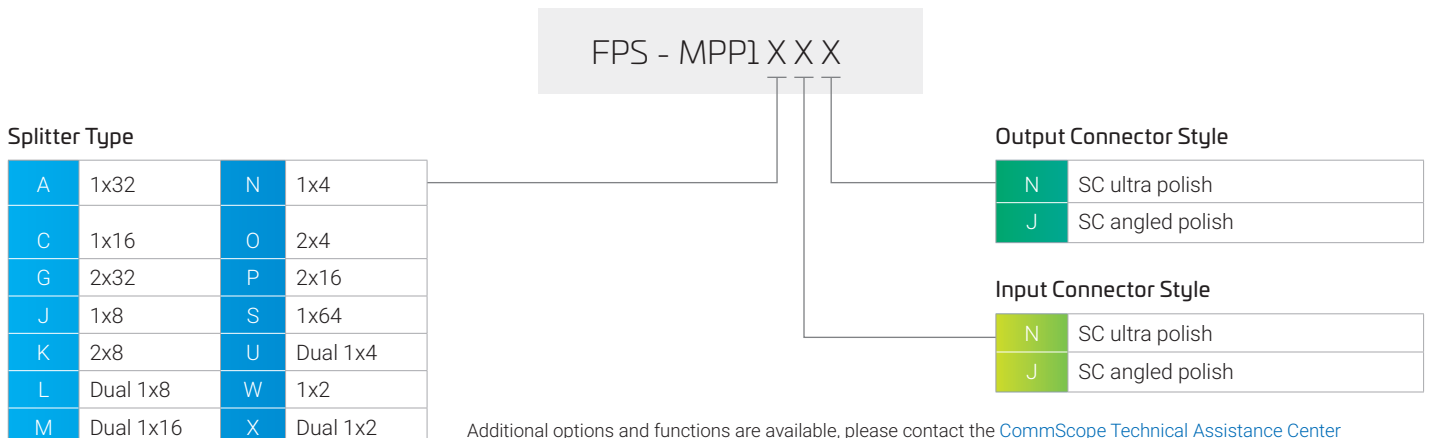


Feeder Pass-Thru Feature

Splitter types supported with specifications

Standard	Max Loss*	Typical Loss*	Uniformity	Return Loss	Directivity	PDL
1x2	3.7 dB	3.1 dB	0.8 dB	≥55 dB	≥55 dB	0.3 dB
1x4	7.2 dB	6.2 dB	0.8 dB	≥55 dB	≥60 dB	0.2 dB
1x8	10.7 dB	9.8 dB	1.0 dB	≥55 dB	≥60 dB	0.2 dB
1x16	13.5 dB	13.2 dB	1.5 dB	≥55 dB	≥60 dB	0.3 dB
1x32	16.7 dB	16.5 dB	1.5 dB	≥55 dB	≥60 dB	0.3 dB
1x64	20.4 dB	19.7 dB	2.0 dB	≥55 dB	≥60 dB	0.4 dB
2x16	14.7 dB	13.0 dB	2.0 dB	≥55 dB	≥60 dB	0.4 dB
2x32	17.9 dB	16.3 dB	2.5 dB	≥55 dB	≥60 dB	0.4 dB

* Does not include connector loss



Outdoor FDH 3000

FD3-AC, AE, and AG Ground/Pole Mount Cabinets (24-576 Fibers)

FD3 - A X X X X X X X X X X X X

Cabinet Size

C	144 cabinet; extra small
E	288 cabinet; small
G	432 cabinet; medium ¹

Distribution Fiber Panel Loaded

024	24 Fibers	216	216 Fibers
048	48 Fibers	288	288 Fibers
072	72 Fibers	360	360 Fibers
096	96 Fibers	432	432 Fibers
144	144 Fibers	576	576 Fibers ¹

Adapters/Connector Type

Singlemode	
N	SC/UPC
J	SC/APC ⁴

Number of Preloaded Splitter Modules

0	No splitter modules ⁴
1	1 splitter module
2	2 splitter modules

Splitter Type Loaded

0	No splitter ⁴
A	(1x32)
C	(1x16)
G	(2x32)
J	(1x8)
L	(Dual 1x8)
M	(Dual 1x16)
N	(1x4)
P	(2x16)
S	(1x64)
U	(Dual 1x4)
W	(1x2)
X	(Dual 1x2)

Feeder/Distribution Cable Type²

G	Dry single armor stranded loose tube
J	Dry dielectric stranded loose tube
L	Armored ribbon ³
T	Dry dielectric ribbon
N	Dry single armor stranded loose tube for feeder Armored ribbon for dist ³
U	In-hub spliced stranded loose tube pigtailed
M	In-hub spliced ribbon pigtailed

Mounting

Leave blank for ground mount option	
P	Pole mount rear to top entry
B	Pole mount bottom entry

Feeder Cable Size²

1	12 Fibers
2	24 Fibers
4	48 Fibers
7	72 Fibers
8	96 Fibers

Feeder Input Style

P	Feeder input capable ⁴
0	Feeder input removed

Feeder/Distribution Cable Stub Length

A	25 feet
B	100 feet ⁴
D	200 feet
E	350 feet
0	N/A - pigtailed in-hub splice cabinet

Distribution Cable Configuration²

A	All 72 fiber stubs
B	All 144 fiber stubs
C	All 216 fiber stubs
D	144 & 72 fiber stub combo: 216 (1x144 & 1x72), 288 (1x144 & 2x72), 360 (2x144 & 1x72), or 432 (2x144 & 2x72)
F	All 432 fiber stubs
G	All 288 fiber stubs
J	All 48 fiber stubs
K	All 96 fiber stubs
M	In-hub spliced ribbon pigtailed
U	In-hub spliced stranded loose tube pigtailed

¹ 576 limited availability upon request

² Some configuration options are not available

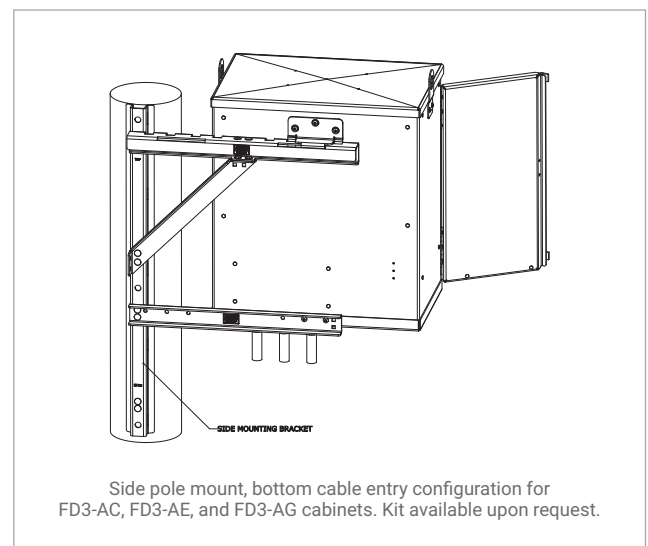
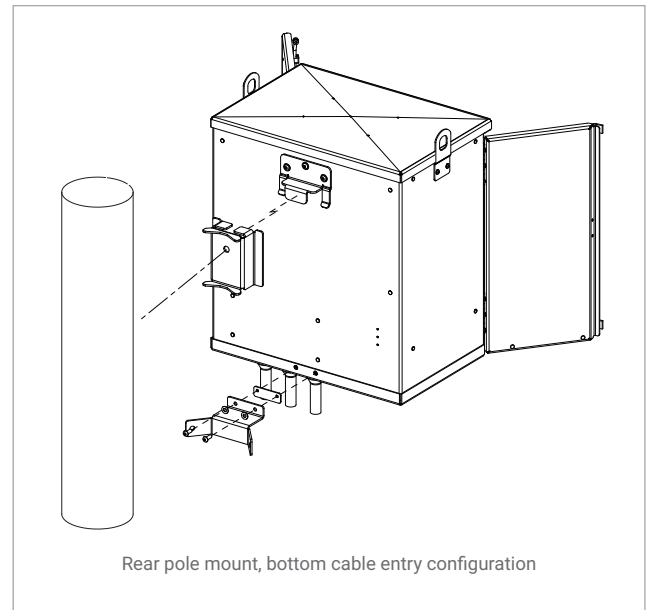
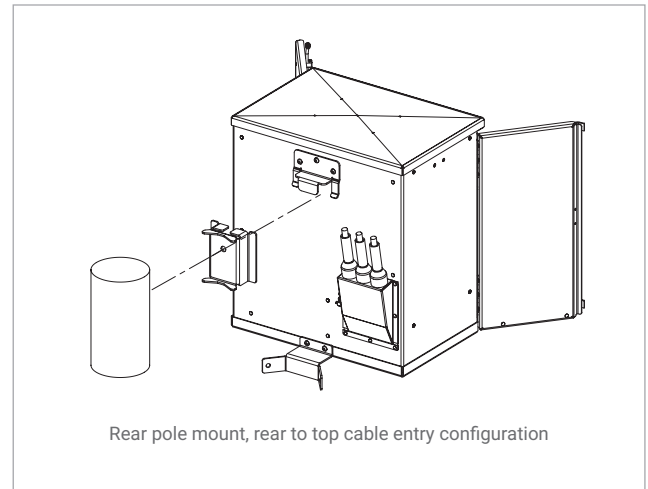
³ Transition to dry armored ribbon in process

⁴ Most common selection

Pole Mount Configurations

Features

- All front access
- Maximum of two distribution cables allowed for all pole mounted cabinets regardless of cable entry location
- Available in FD3-AC, FD3-AE, and FD3-AG cabinet sizes (24-576)
- Cabinet Dimensions
 - FD3-ACxxxx: 30"(H) x 21"(W) x 14"(D)
 - FD3-AExxxx: 30"(H) x 27"(W) x 18"(D)
 - » 2 door configuration
 - FD3-AGxxxx: 36"(H) x 27"(W) x 18"(D)
 - » 2 door configuration
- Stubby variants available only, in-hub splice models are not feasible as a pole mounted FDH
- Ground mount to pole mount cabinet conversion kits are available upon request



FD3-AJ Ground Mount Cabinet (72-1152 Fibers) Large



FD3 - AJ X X X X X X X X X X

Distribution Fiber Panel Loaded

072	72 Fibers	504	504 Fibers
096	96 Fibers	576	576 Fibers
144	144 Fibers	648	648 Fibers
216	216 Fibers	720	720 Fibers
288	288 Fibers	864	864 Fibers ⁴
360	360 Fibers	1152	1152 Fibers
432	432 Fibers		

Adapters/Connector Type

Singlemode	
N	SC/UPC
J	SC/APC ⁴

Number of Preloaded Splitter Modules

0	No splitter modules ⁴
1	1 splitter module
2	2 splitter modules

Splitter Type Loaded

0	No splitters ⁴
A	(1x32)
C	(1x16)
G	(2x32)
J	(1x8)
L	(Dual 1x8)
M	(Dual 1x16)
N	(1x4)
P	(2x16)
S	(1x64)
U	(Dual 1x4)
W	1x2
X	Dual 1x2

Feeder/Distribution Cable Type¹

G	Dry single armor stranded loose tube
J	Dry dielectric stranded loose tube
L	Armored ribbon ²
T	Dry dielectric ribbon
N	Dry single armor stranded loose tube for feeder Armored ribbon for dist ²

Feeder Cable Size

0	None
1	12 Fibers
2	24 Fibers
3	36 Fibers
4	48 Fibers
5	288 Fibers ³
7	72 Fibers
8	96 Fibers
9	144 Fibers

Feeder Input Style

P	Feeder input capable ⁴
0	Feeder input removed

Feeder/Distribution Cable Stub Length¹

A	25 feet
B	100 feet ⁴
D	200 feet
E	350 feet

Distribution Cable Configuration¹

A	All 72 fiber stubs
B	All 144 fiber stubs
C	All 216 fiber stubs
D	144 & 72 fiber stub combo: 216 (1x144 & 1x72), 288 (1x144 & 2x72), 360 (2x144 & 1x72), or 432 (2x144 & 2x72)
F	All 432 fiber stubs
G	All 288 fiber stubs

No in-hub splice or pole mount options available (see [FDH5000](#) product line for high fiber count pole mount options)

For configuration questions and support, please contact the [CommScope Technical Assistance Center](#)

¹ Some configuration options are not available

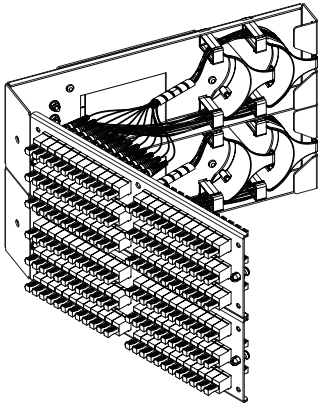
² Transition to dry armored ribbon in process

³ 264 usable, 192 via splitter inputs & 72 via passthrough

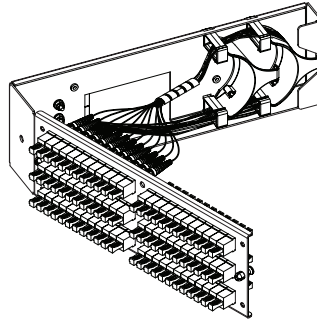
⁴ Most common selection

Growth Panel Options (FD3MOD)

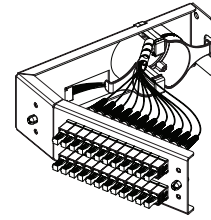
For adding distribution panels to existing partially loaded cabinets or replacing damaged panels. Kit is not compatible with pole mount models and includes all clamps, cables, and materials necessary for installation.



144 Fiber Panel



72 Fiber Panel



24 Fiber Panel

FD3MOD - X X X X X X

Fiber Panel Size

024	24 Fibers; fits FD3-AC (extra small) models only
072	72 Fibers; fits all models
144	144 Fibers; fits all models
216	216 Fibers; fits FD3-AE (small), AG (medium), & AJ (large) models
288	288 Fibers; fits FD3-AE (small), AG (medium), & AJ (large) models

Adapters Connector Type

N	SC/UPC
J	SC/APC

Cable Type

G	Dry single armor stranded loose tube
J	Dry dielectric stranded loose tube
L	Armored ribbon
T	Dry dielectric ribbon
U	In-hub spliced stranded loose tube pigtailed
M	In-hub spliced ribbon pigtailed

Cabinet Shell Size

A	FD3-AE (small), AG (medium), & AJ (large; right side of swingframe panel) models
C	FD3-AC (extra small) models
L	FD3-AJ (large; left side of swingframe panel) models

Cable Stub Length

A	25 feet
B	100 feet
D	200 feet
E	300 feet
X	510 feet
0	N/A - in-hub spliced pigtailed

Distribution Cable Configuration

A	All 72 fiber stubs
B	All 144 fiber stubs
D	144 & 72 fiber stub combo: 216 (1x144 & 1x72) or 288 (1x144 & 2x72)
G	All 288 fiber stubs
H	All 24 fiber stubs
M	N/A - in-hub spliced pigtailed

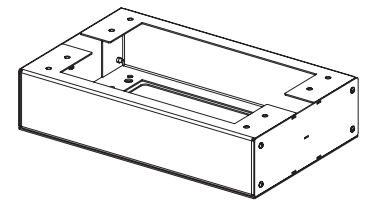
FD3MODs cannot be used for pole mount cabinets. In addition, parking lot area is not used for FD3MOD expansions. Module is intended for use in absent or existing panel slots only.

Outdoor FDH 3000

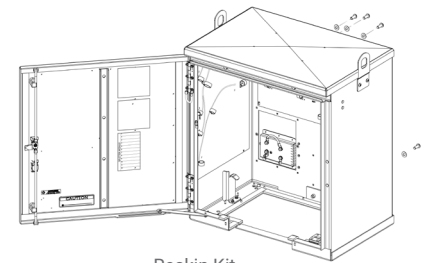
Risers for Ground Mount Style Cabinets

Description	Catalog Number
6" ground spacer/riser for size FD3-AC (24-144 fibers) cabinets Raises cabinet an additional 6"	FD3-RSRC06
6" ground spacer/riser for size FD3-AE (72-288 fibers) and size FD3-AG (72-576 fibers) cabinets Raises cabinet an additional 6"	FD3-RSRE06
6" ground spacer/riser for size FD3-AJ (72-1152 fibers) cabinets Raises cabinet an additional 6"	FD3-RSRJ06
6" riser cover replacements only for FD3-AC	1680789
6" riser cover replacements only for FD3-AE and FD3-AG	1675383

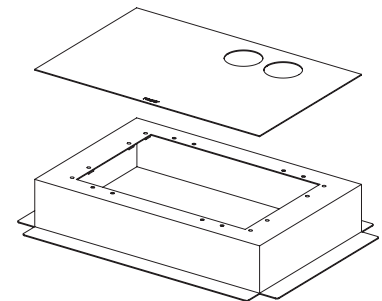
Note: All Ground Mount FDH 3000 cabinets ship with one riser



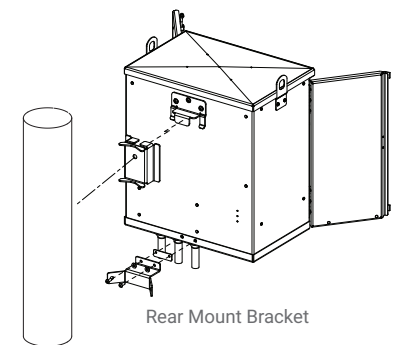
6" Split Spacer/Riser



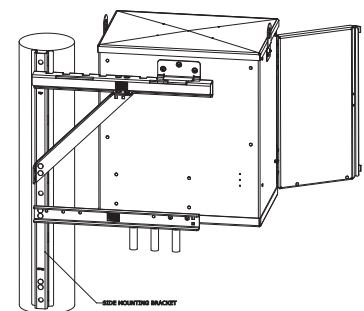
Reskin Kit



Pad Mount Frame



Rear Mount Bracket



Fits FD3-AC, AE, & AG
(no cable hole limitation)

Side Mount Bracket

FDH Cabinet Shell Reskin Kits

Description	Catalog Number
FD3-AC (24-144 fibers) reskin kit (ground mount only) extra small	FD3-ACCCRESKIN
FD3-AE (72-288 fibers) reskin kit (ground mount only) small	FD3-ACCERESKIN
FD3-AG (72-576 fibers) reskin kit (ground mount only) medium	FD3-ACCGRESKIN
FD3-AJ (72-1152 fibers) reskin kit (ground mount only) large	FD3-ACCJRESKIN

Pad Mount Frames

Description	Catalog Number
FD3-AC (24-144 fibers) pad mount frame	FD3-PMFC06
FD3-AE (72-288 fibers) and FD3-AG (72-576 fibers) pad mount frame	FD3-PMFE06
FD3-AJ (72-1152 fibers) pad mount frame	FD3-PMFJ06

Ground to Pole Mount Conversion Kits

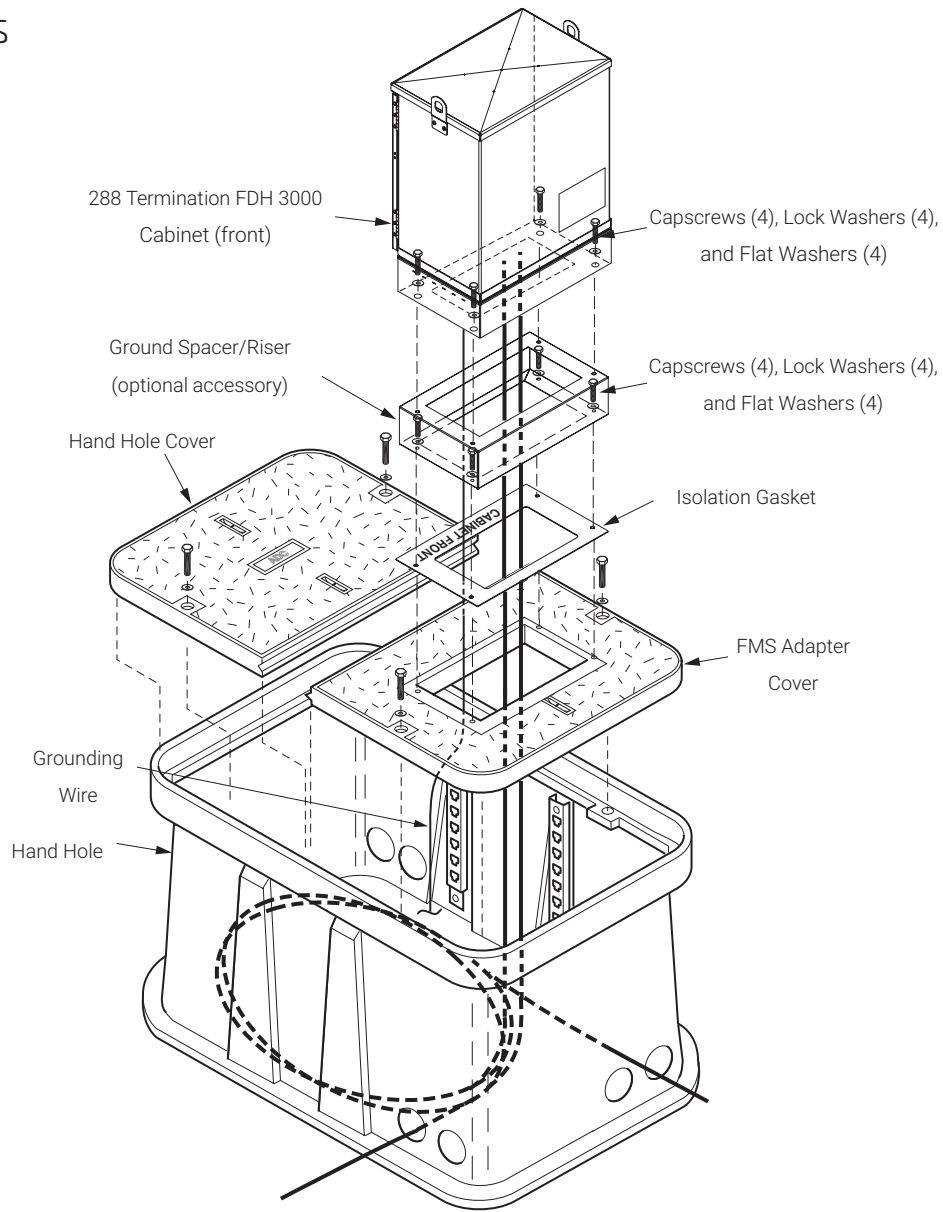
Description	Catalog Number
Rear Mount Ground to Pole Conversion Kit (bottom entry) for sized FD3-AC (24-144) cabinets using 3 cables	FD3-ACC144PMK-GTV
Rear Mount Ground to Pole Conversion Kit (bottom entry) for sized FD3-AE (72-288) cabinets using 3 cables*	FD3-ACC288PMK-GTV

* Potential fit for FD3-AG as well, contact TAC to confirm

Pole Mount Bracket Replacements

Description	Catalog Number
Side mount bracket (144-432 models)	FD3-ACCUNVSMB
Rear mount brackets (144-432 models)	FD3-ACCUNVRMB

Hand Hole Kits



Description	Catalog Number
30"H x 60"W x 30"D Hand Hole and cover kit for FD3-AC (24-144 fibers), FD3-AE (72-288 fibers) and FD3-AG (72-576 fibers) cabinets	FMS-ACE100-KIT-A
36"H x 60"W x 48"D Hand Hole and cover kit for FD3-AC (24-144 fibers), FD3-AE (72-288 fibers) and FD3-AG (72-576 fibers) cabinets	FMS-FD3EG-LKIT-A
36"H x 60"W x 48"D Hand Hole and cover kit for FD3-AJ (72-1152 fibers) cabinets	FMS-FD3J-KIT-A

Additional Accessories

Description		Catalog Number	
216 – Can Wrench Door Keys	Aluminum can wrench key For use in loosening/tightening security screws	OSP-216BKEY2	
	Plastic can wrench key For use in loosening/tightening security screws	OSP-216BKEY3	
Cleaning Kits	Alcohol cleaning kit for connector end faces	FPC-CLNKIT1	
	Almond touch up paint	ACE-ACC-PTALMD	
Cable Clamp Kits	Small, supports retention for 2 cables sized 0.4 - 0.7" OD	FD3-ACCSMCLMP	
	Large, supports retention for 2 cables sized 0.8 - 0.9" OD	FD3-ACCLGCLMP	
Full Door Replacement Kits	FD3-AC (24-144 fibers) kit (fits ground and pole models)	FDH-ACC144DR	
	FD3-AE (72-288 fibers) kit (fits ground models)	FDH-ACC288DR	
	FD3-AE (72-288 fibers) kit (fits right pole model doors)	FDH-ACC288DR-P-R	
	FD3-AE (72-288 fibers) kit (fits left pole model doors)	FDH-ACC288DR-P-L	
	FD3-AG (72-576 fibers) kit (fits ground models)	FDH-ACC432DR	
	FD3-AG (72-576 fibers) kit (fits right pole model doors)	FDH-ACC432DR-P-R	
	FD3-AG (72-576 fibers) kit (fits left pole model doors)	FDH-ACC432DR-P-L	
	FD3-AJ (72-1152 fibers) kit (fits right door)	FDH-ACC864DR-R	
Door Hardware Replacement Kits (includes swing door handle, latch, locking mechanism, rods w/ rollers, rod guides, 3 point cam, and assembly spacers)	FD3-AC (24-144 fibers) kit (fits ground and pole models)	FD3-ACCDDRHWKIT	
	FD3-AE (72-288 fibers) kit (fits ground models)	FD3-ACCEDRHWKIT	
	FD3-AE (72-288 fibers) kit (fits pole models)	FD3-ACCEDRHWKITP	
	FD3-AG (72-576 fibers) kit (fits ground models)	FD3-ACCGDRHWKIT	
	FD3-AG (72-576 fibers) kit (fits pole models)	FD3-ACCGDRHWKITP	
	FD3-AJ (72-1152 fibers) kit	FD3-ACCJDRHWKIT	
Door Handle Replacement Kit (swing handle w/ latch and locking mechanism; supports all FDH3000 sizes)		FD3-ACCBLKHNDL	
Door Gasket/Foam Tape Replacement Kit (supports all FDH3000 sizes)		FD3-ACC-DRFOAMTPE	
Vent Plug Kits	Spare Vent Plug Kit QTY 12	FDH-ACCVENT-12	
	Spare Vent Plug Kit QTY 100	FDH-ACCVENT-100	
SC Adapters	SC/UPC Adapter QTY 1	FBA-1SCBL-NCC	
	SC/APC Adapter QTY 1	FBA-1SCGR-FCC	
Dust Cap Kits	Clear/Transparent SC Replacements QTY 10	760255477	
	Clear/Transparent SC Replacements QTY 200	760255478	
	Clear/Transparent SC Replacements QTY 300	760255479	
	Clear/Transparent SC Replacements QTY 500	760255480	
	White/Translucent SC Replacements QTY 100	760244566	
Spare Parking Lot Strips (includes 8 standard strips w/ 8 SC connector parking positions each)		FPS-ACCPKLTJ	
Legacy Accessories	FONS 1/2/3 and PFP Door Accessories	Door Latch kit (latch only) FONS 1, 2 and 3 cabinets	FDH-ACCNDLKT-3
		Handle replacement PFP cabinets	FDH-ACCPFP-HNDL-1
	CSX3/CSX2 cabinet adapter bracket allowing use of standard 1-slot wide PNP splitters	Standard Bracket and cables for smaller CSX2 and CSX3 cabinets	FPS-ACCSCX3RETRO
		Standard Bracket with longer feeder cable for 576 and 864 CSX3/CSX2 cabinets	FPS-ACCSCX3/2F12

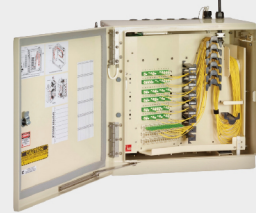
Explore our full range of passive outside and inside FDH cabinets at commscope.com

CommScope Passive FDH Solutions



Standard FDH3000 (FD3-AC/AE/AG/AJ):

Industry-leading cabinet combining decades of expertise and trusted for reliability, supporting up to 1152f.



Indoor FDH (FD3-M):

Ideal for MDUs with protected fiber management, dust resistance, and flexible rack or wall mounting options, supporting up to 864f.



Hub in a Pedestal (FD3-P):

Space-saving, cost-effective solution with no extra infrastructure needed, supporting up to 132f.



PNP Splitters (FPS-MPP):

Facilitates rapid PON service deployment with universal compatibility across FD3 models, supporting reduced splicing.



Mini FDH (FD3-AR):

Compact splice, MPO, or HMFOC solution for high-density MDU and OSP rural deployments, supporting up to 72f.



FDH4000 (FD4S):

Environmentally resilient for below-grade, strand, or pole, supporting up to 288f.



Cross Connect FDH (F3X):

Simplifies business circuit and active-ethernet connections with easy reconfigurations, supporting up to 864f.



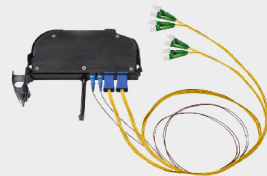
FDH5000 (FD5M):

Modular design for maximum fiber density compared to size, pole or pad mount up to 864f.



Enhanced Mini FDH (FD3-AB):

Compact stubbed, splice, MPO, or HMFOC solution for high-density MDU and OSP rural deployments, supporting up to 96f.



CMOD Chassis PNP Splitters (FPS-CMPP):

Advanced modular design for scalable splitter integration in FDH4000 and FDH5000, supporting reduced splicing.

CommScope pushes the boundaries of communications technology with game-changing ideas and ground-breaking discoveries that spark profound human achievement.

We collaborate with our customers and partners to design, create and build the world's most advanced networks. It is our passion and commitment to identify the next opportunity and realize a better tomorrow. Discover more at commscope.com

COMMSCOPE®

commscope.com

Visit our website or contact your local CommScope representative for more information.

© 2025 CommScope, LLC. All rights reserved.

CommScope and the CommScope logo are registered trademarks of CommScope and/or its affiliates in the U.S. and other countries. For additional trademark information, see <https://www.commscope.com/trademarks>. All product names, trademarks and registered trademarks are property of their respective owners.

CA-3100904-AE (01/25)