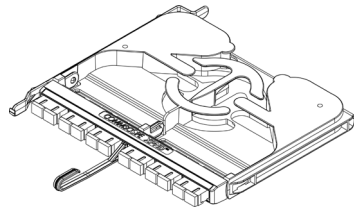


COMMSCOPE XPND™

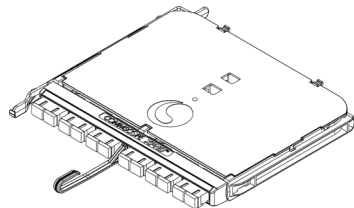
TC-40231-IP-EN - REV A -

Patch and splice cassettes



PATCH CASSETTE PARTS LIST

QTY	DESCRIPTION
1	PATCH CASSETTE
1	CASSETTE JUMPER CLIP
1	QUICK START INSTRUCTIONS



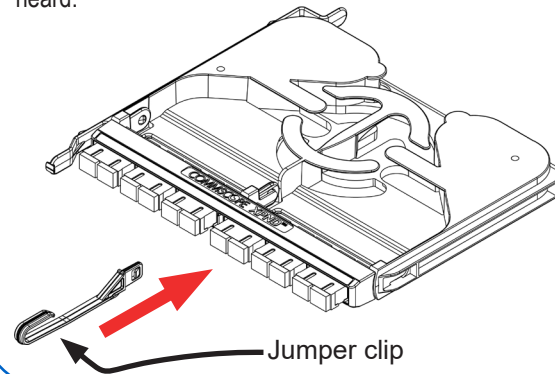
SPLICE CASSETTE PARTS LIST

QTY	DESCRIPTION
1	SPLICE CASSETTE
1	CASSETTE JUMPER CLIP
1	BAG WITH 2 TY-WRAPS AND 12" FOAM STRIP
1	TEST RESULT DATASHEET
1	QUICK START INSTRUCTIONS

NOTE: Various configurations are possible. The images above display the SC adapter version of the patch and splice cassettes. For reference, the patch cassette will be used in all the subsequent images.

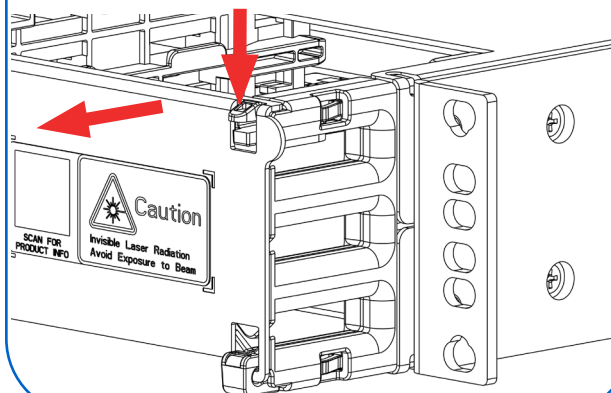
1 Installing the jumper clip

Remove the jumper clip found taped inside of the cassette. In the middle of the adapter holder, between the two adapters, there is a cavity designed specifically for the jumper clip. Take the clip, with the open side of the loop pointing upwards, and slide it into the cavity as shown in the accompanying picture, until a "click" is heard.



2 Opening the panel

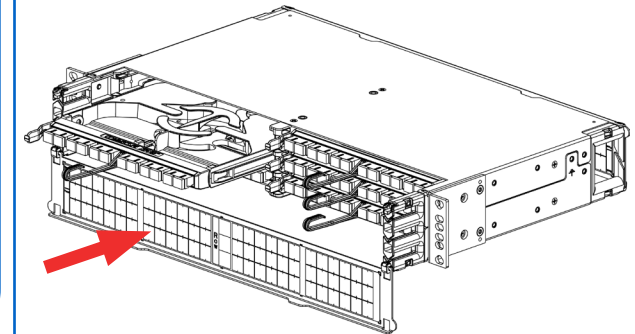
To install a cassette in the panel, the door must be opened first. The door can be opened from either the front or the rear of the panel, depending on which side is accessible. The door is opened by pushing down the latches at the top (left and right) and pulling the top of the door towards oneself.



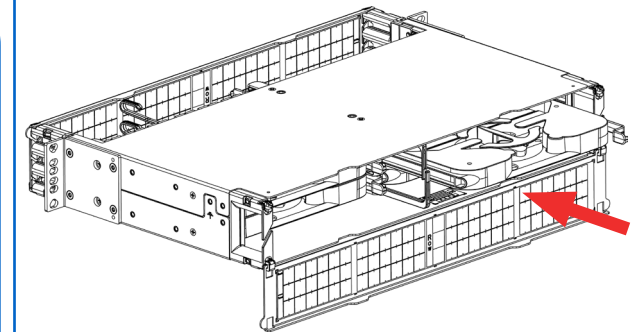
3 Mounting cassettes in the panels

To install a new cassette in the panel, ensure there is at least one empty slot available. Slide the cassette into the slot from either the front or the rear, making sure the jumper clip is facing the front. Push the cassette further into the panel until a "click" is heard.

Inserting from the front



Inserting from the rear



Once the cassette is inserted into the panel, the door can be closed by rotating it back into place until the two latches on each side click into position.