



## BUDI™ Fiber Optic Wall mount Enclosure with FOSC Management System, 36 SC/APC Sliding Adapters, (1) pre-terminated pigtail

- Compact, wall mountable fiber enclosures for indoor and outdoor use
- Specifically designed for fast FTTH deployment and easy customer connection
- Available with splicing (FIST) and/or patching and/or splitter combinations
- Multiple and modular wrap around cable port sealing options

### Product Classification

<b>Regional Availability</b>	North America
<b>Portfolio</b>	CommScope®
<b>Product Type</b>	Fiber wall box
<b>Product Brand</b>	BUDI™
<b>Product Series</b>	BUDI-FS
<b>Country Specific for</b>	United States
<b>Warranty</b>	For more information, please consult our Product Warranty guidelines

### General Specifications

<b>Functionality</b>	Patching   Splicing
<b>Access</b>	Front
<b>Adapter Packs Included, quantity</b>	36
<b>Adapter Ports, quantity</b>	32
<b>Adapters, quantity</b>	32
<b>Enclosure Color</b>	Gray
<b>Front Cover Type</b>	Snap-on cover
<b>Interface</b>	SC/APC
<b>Mounting</b>	Wall
<b>Splicing Capacity, maximum</b>	36

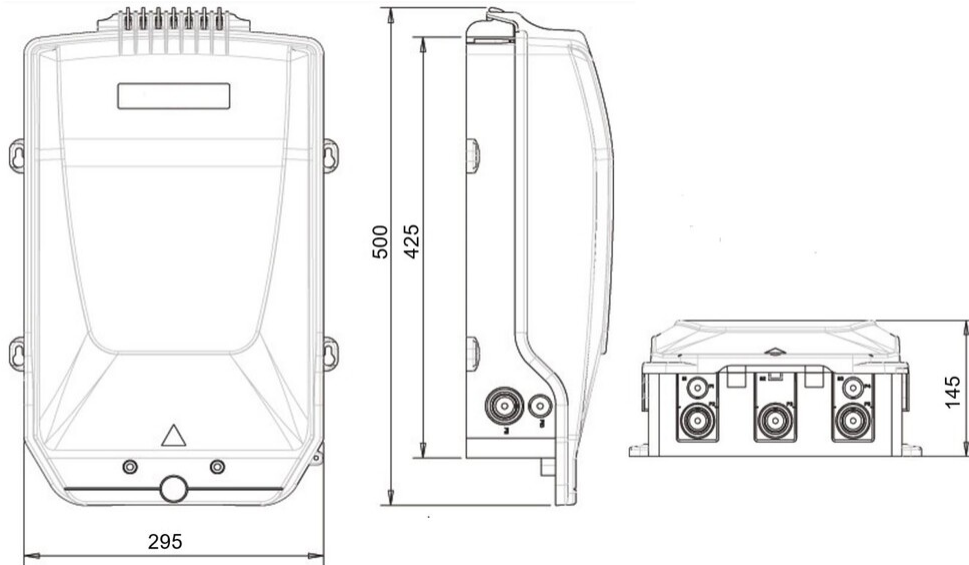
### Dimensions

<b>Height</b>	425 mm   16.732 in
<b>Height, with cover</b>	500 mm   19.685 in
<b>Width</b>	295 mm   11.614 in

# 760260285 | BUDI-FS32-ADPSL

**Depth** 145 mm | 5.709 in

## Dimension Drawing



## Material Specifications

**Enclosure Material Type** LSZH thermoplastic

## Environmental Specifications

**Environmental Space** Indoor/Outdoor

**Flammability Rating** UL 94 V-0

**Qualification Standards** IEC 60529, IP54 | IEC 61753-1, category G

## Packaging and Weights

**Included** Cable seal | Pigtail seals | Splice tray

**Packaging quantity** 1

**Packaging Type** Box | Carton

## Regulatory Compliance/Certifications

Agency	Classification
CHINA-ROHS	Above maximum concentration value
REACH-SVHC	Compliant as per SVHC revision on <a href="https://www.commscope.com/ProductCompliance">www.commscope.com/ProductCompliance</a>
ROHS	Compliant/Exempted

UK-ROHS

Compliant/Exempted



\* Footnotes

**Warranty**

For more information, please consult our Product Warranty guidelines