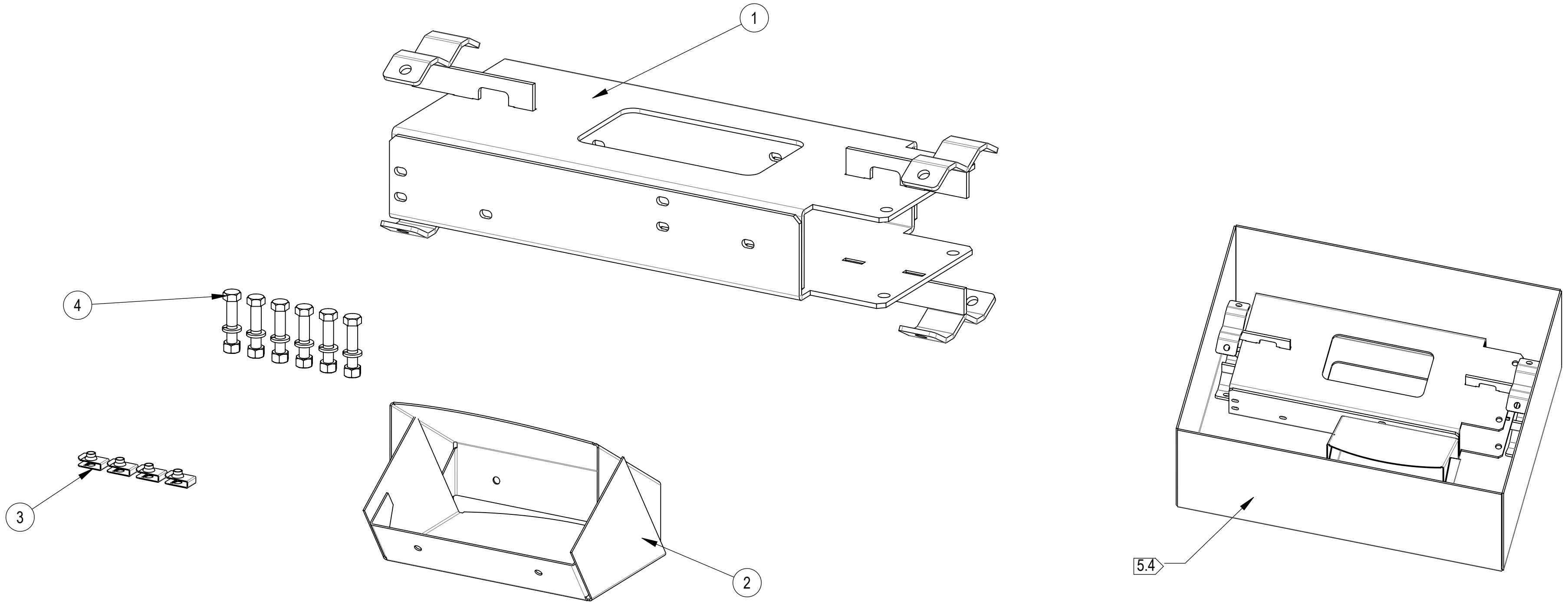


- 1.0 GENERAL NOTES
 - 1.1 ALL METRIC DIMENSIONS ARE IN BRACKETS [X.X]
 - 1.2 FEATURES CRITICAL TO QUALITY ARE INDICATED IN ROUNDED BOX (XX)
 - 1.3 3D DIGITAL FILES ARE FOR REFERENCE. IN CASE OF CONFLICT FOLLOW PDF DRAWING.
- 2.0 DESIGN NOTES
- 3.0 MANUFACTURING/SPECIAL REQUIREMENTS
- 4.0 TEST
- 5.0 PACKAGING
 - 5.1 PACKAGING SHALL MEET COMMSCOPE REQUIREMENTS PER DOCUMENT IS-PL-3005
 - 5.2 ALL HARDWARE SHALL BE PACKAGED SEPARATELY USING PLASTIC BAGS
 - 5.3 THIS PRINTED DOCUMENT TO BE PLACED INSIDE SHIPPING BOX FOR CUSTOMER REFERENCE
 - 5.4 BOX SIZE IS NOT LESS THAN 24" X 17" X 9"

REVISIONS			
REV.	DESCRIPTION	DATE	APPROVED
A	INITIAL RELEASE	MS1288 05SEP24	DM1121 40204018CMO



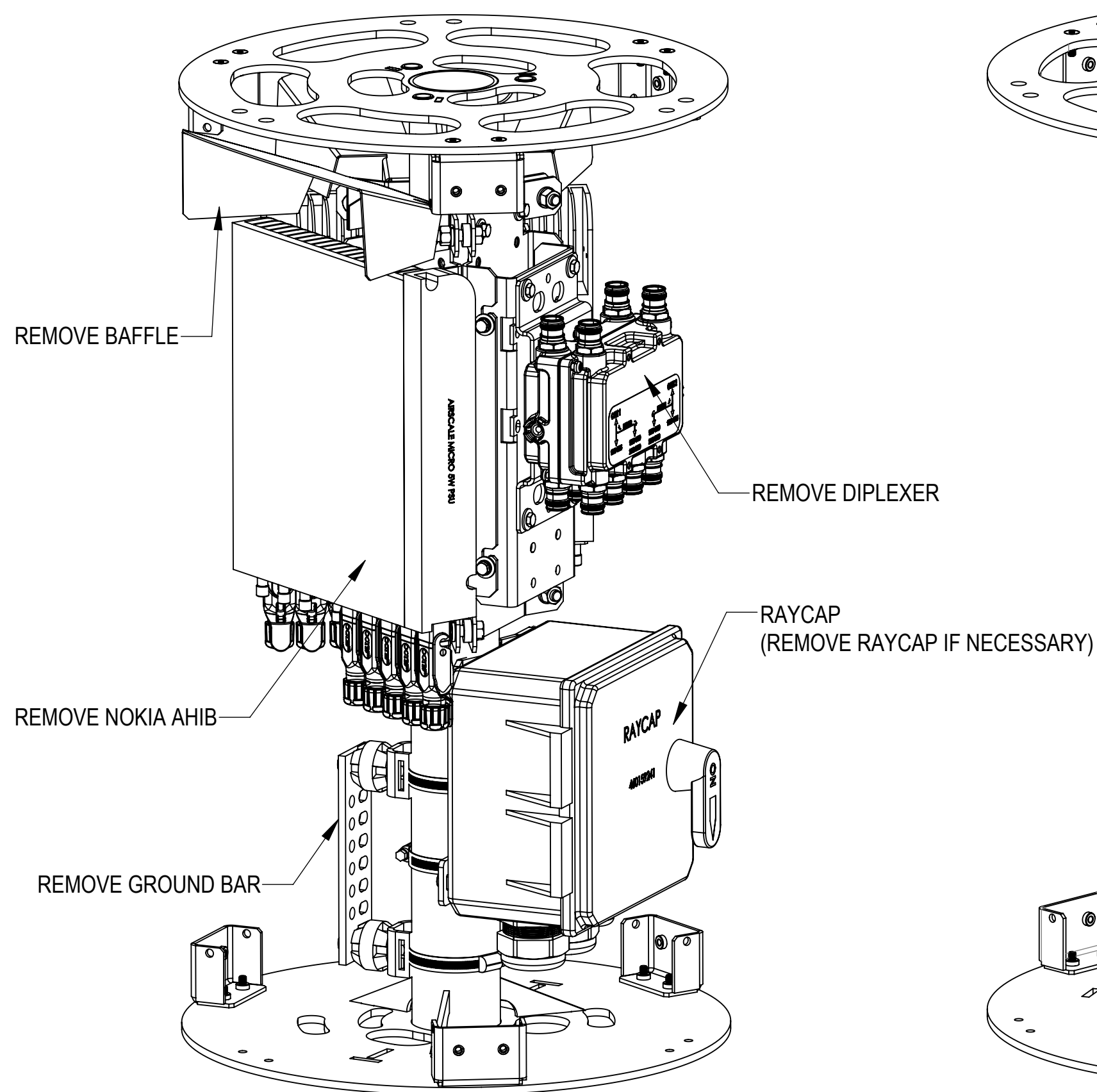
COMMSCOPE, INC. OF NORTH CAROLINA												
TOLERANCES						SAP MATERIAL MASTER						
1 PLACE .X[X] ± 0.2[6.3]			3 PLACE .XXX[X] ± 0.060[1.5]			860664823-AMK-004						
2 PLACE .XX[X] ± 0.12[3.0]			ANGLES ± 2°									
FINISH						MATERIAL						
UNLESS OTHERWISE SPECIFIED DIMENSIONS ARE IN INCHES INTERPRET PER ANSI Y 14.5M-1994	NAME		DATE		PT18, RETRO, ERICSSON 220x/440x							
	CE	MS1288	05SEP24									
	RW	MS1288	09/13/2024									
	AD	LX1002	09/13/2024									
	RE	DM1121	09/13/2024									
ECN 40204018CMO						SCALE 1:8		DOCUMENT NO. 860664823-AMK-004				
SIZE		Auth Group		INSL		MODEL			DRAWING			SHEET 1 OF 4
C						VERSION			STATUS			
						00			RE			
						A			00			
						RE			A			

COMPONENT PART NUMBERS PROVIDED FOR ASSEMBLY PURPOSES;
INDIVIDUAL COMPONENTS MAY BE SHIPPED AS PARTS WITHIN AN INCLUDED KIT.

ITEM NO.	PART NUMBER	DESCRIPTION	QTY.	NOTE
1	MTM1082-1700	RADIO WELDMENT MOUNT	2	
2	MTC39123B2203	BAFFLE FOR 3EA 2203 POLE TOP	2	
3	460143456	CLIP NUT, M6, 316 SST	4	5.2
4	GB-03205	3/8" X 2" GALV BOLT KIT	6	5.2

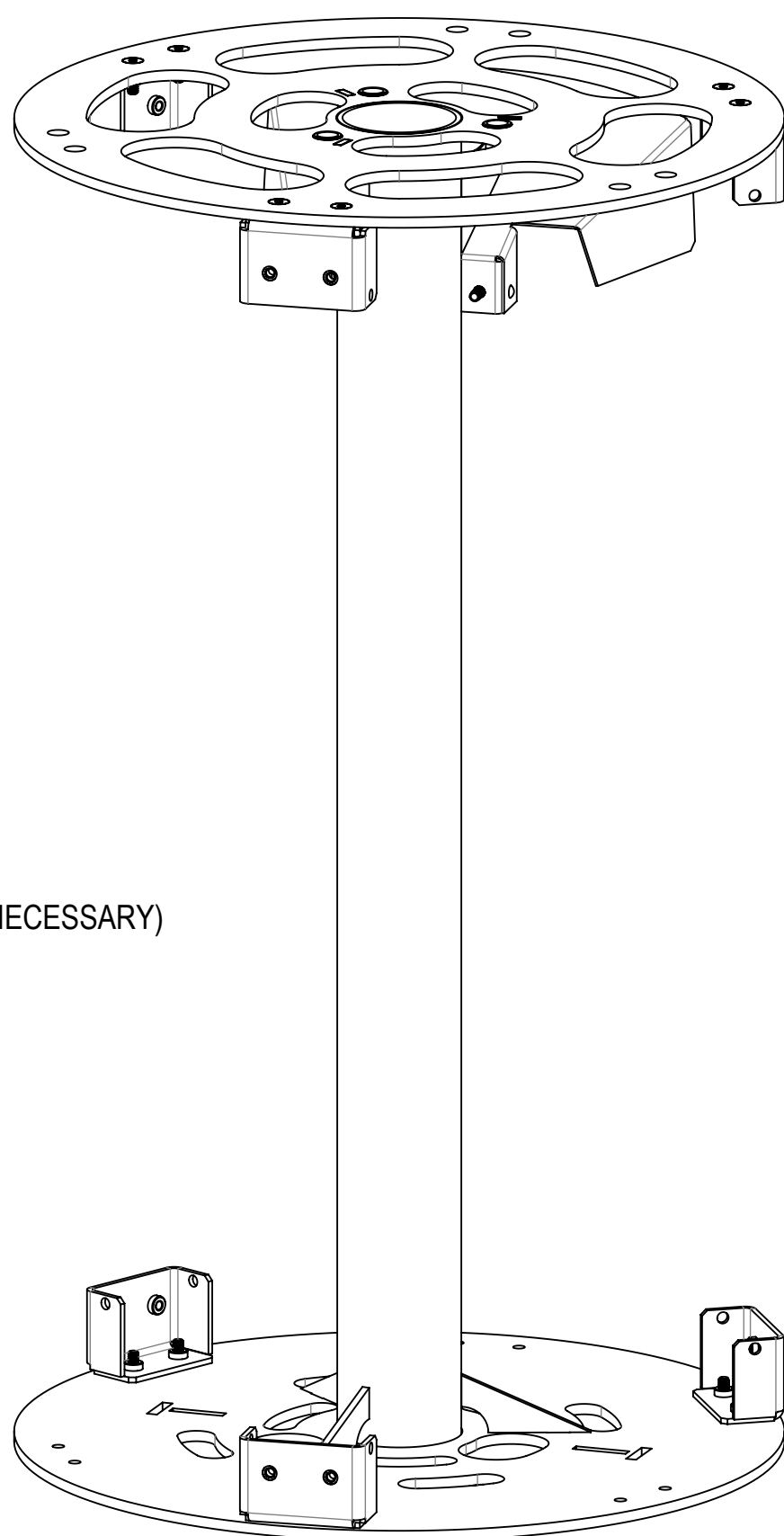
DENSITY	28.72	lbs/in ³
MASS	28.72	lbs
VOLUME	4554.02	in ³
SURFACE AREA	4156.83	in ²
HEIGHT	10.30[261.6]	
LENGTH	24.24[615.7]	
WIDTH	18.24[463.2]	

INSTALLATION INSTRUCTIONS



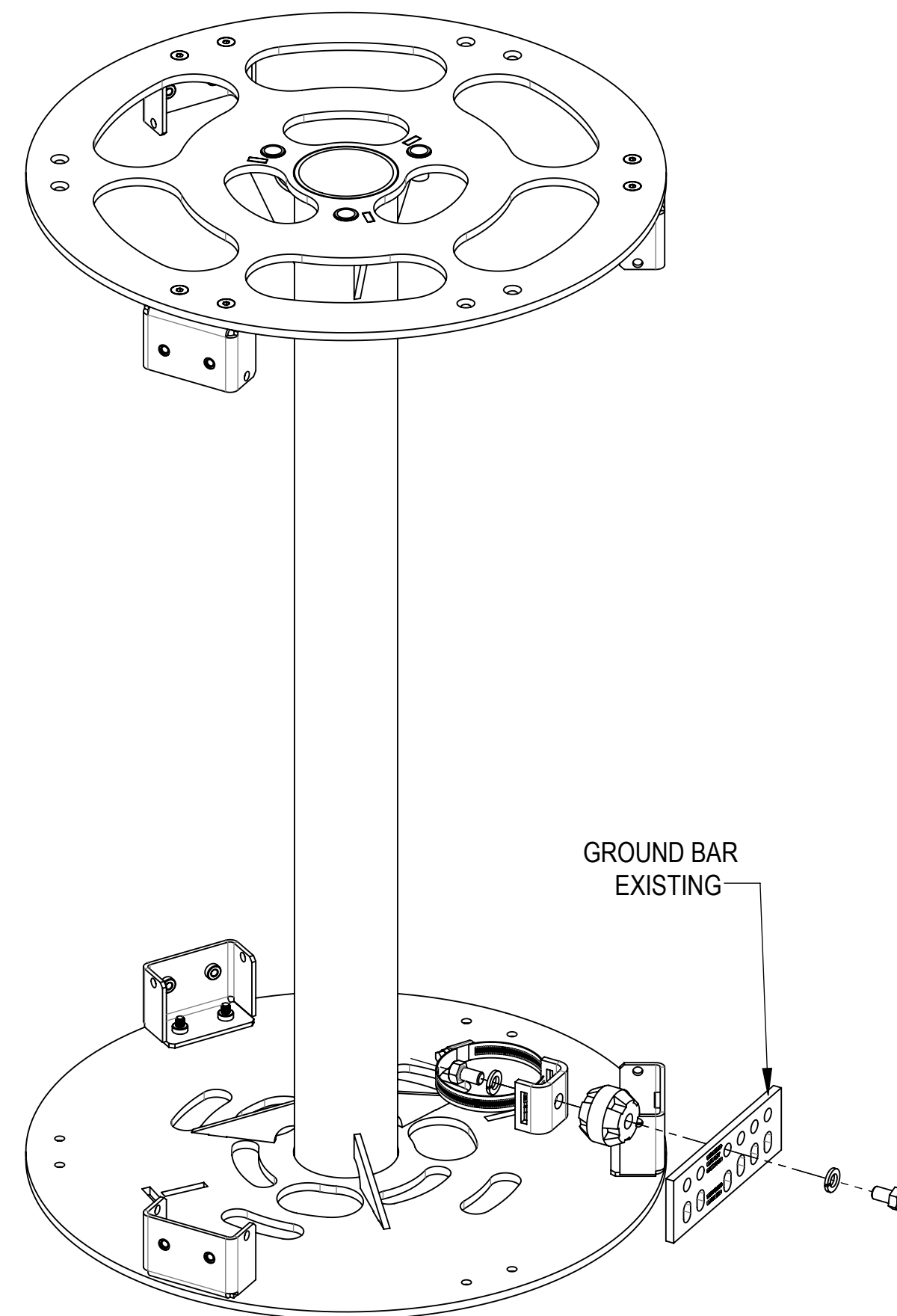
STEP 1

REMOVE THE EXISTING NOKIA EQUIPMENT, MOUNTING BRACKETS, BAFFLES AND HARDWARE
REMOVE AND RETAIN GROUND BAR.



STEP 2

POLETOP 18" AFTER REMOVING NOKIA EQUIPMENT, MOUNTING BRACKETS, BAFFLES AND HARDWARE.

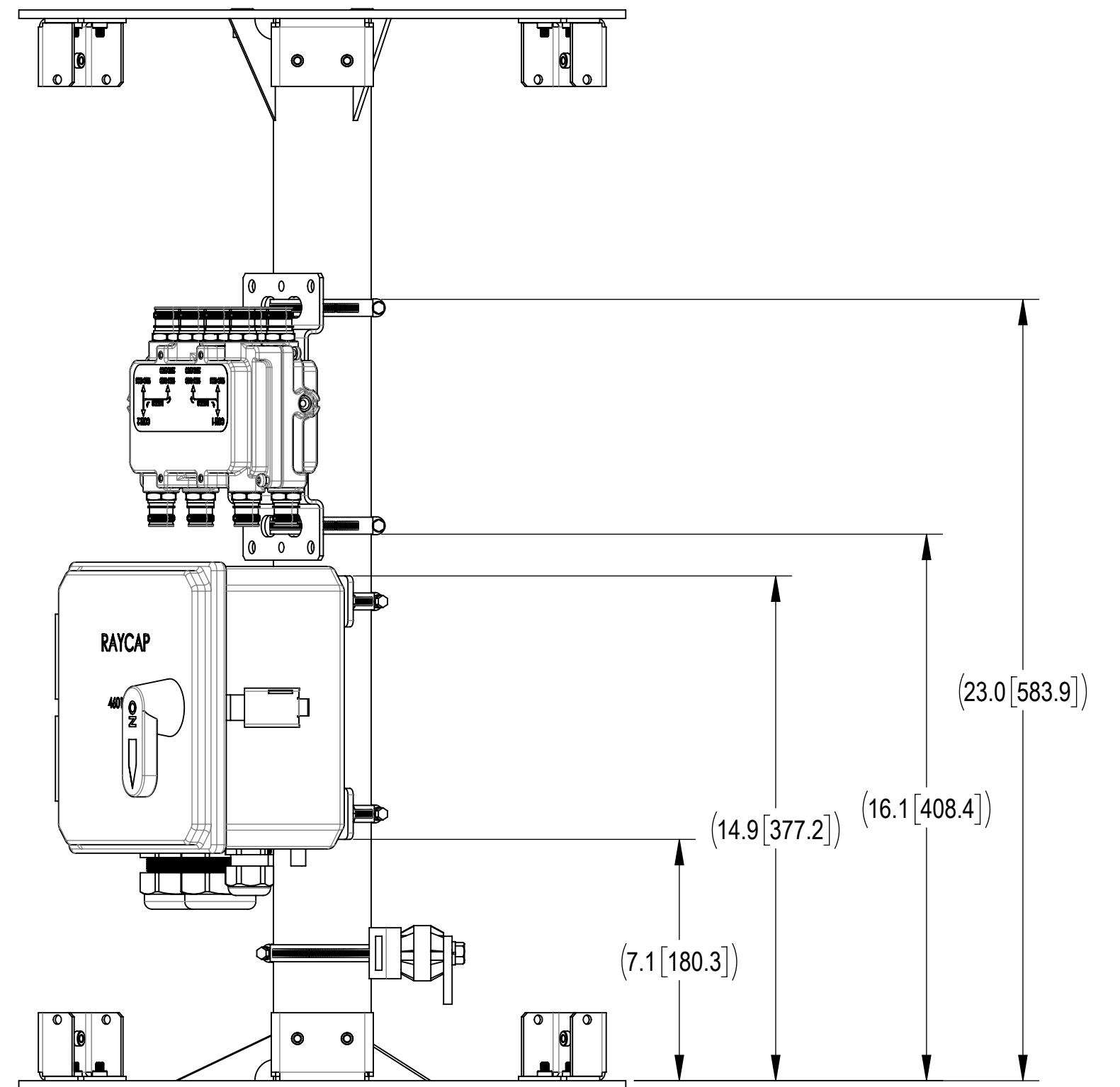
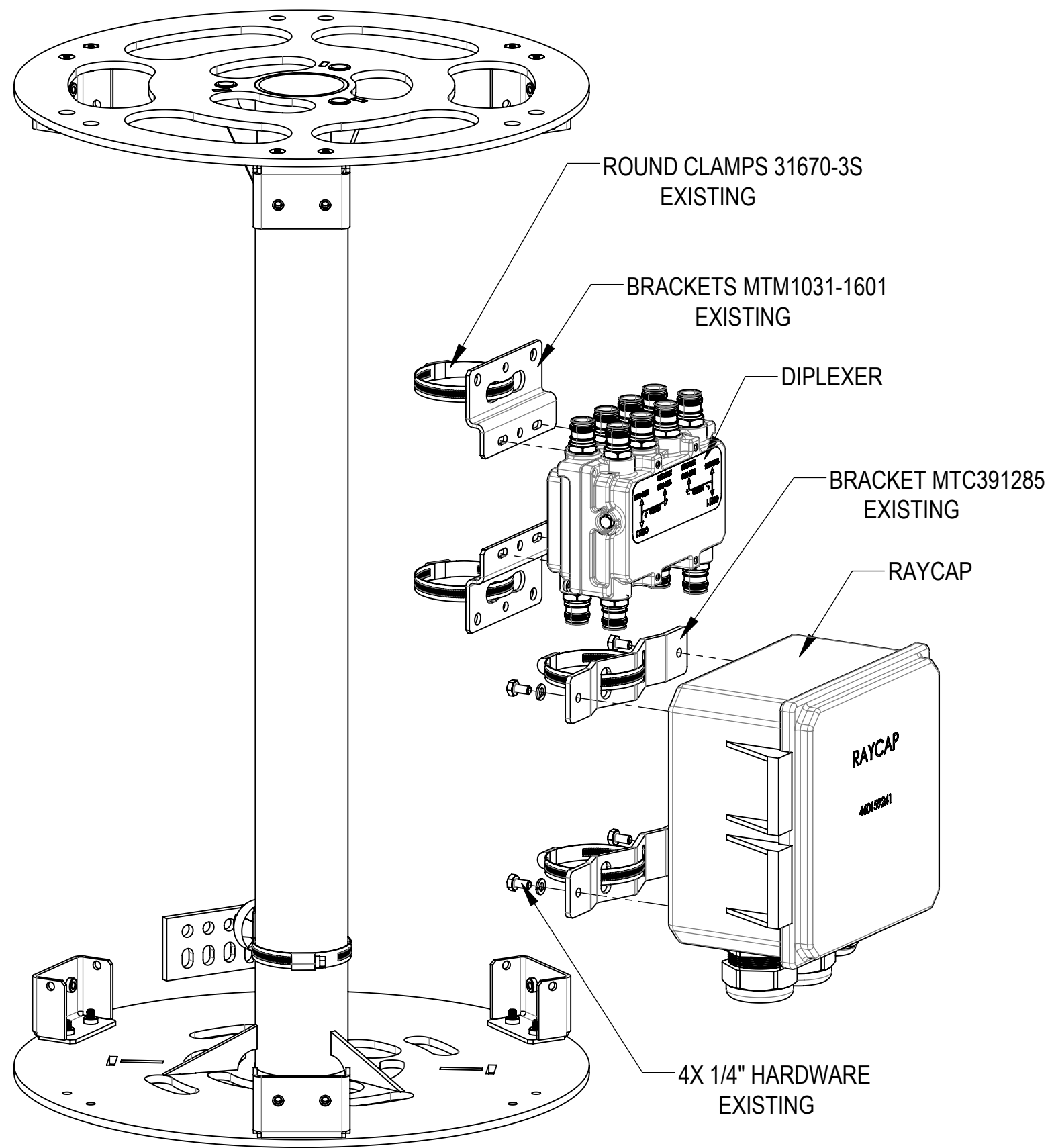


STEP 3

RE-INSTALL GROUND BAR USING THE EXISTING REMOVED PARTS AS SHOWN.

COMMSCOPE, INC. OF NORTH CAROLINA				
TITLE PT18, RETRO, ERICSSON 220x/440x				
SIZE C	SCALE 1:8	DOCUMENT NO. 860664823-AMK-004		
DRAWING		VERSION	STATUS	REVISION
		00	RE	A
				SHEET 2 OF 4

DIPLEXER AND RAYCAP INSTALLATION



STEP 4

DIPLEXER

INSTALL THE BRACKETS MTM1031-1601 TO THE DIPLEXER USING CAPTIVE HARDWARE PROVIDED WITH THE DIPLEXER.

INSTALL THE DIPLEXER TO THE POLETOP WELDMENT USING 2X ROUND CLAMPS. DIPLEXER SHOULD BE APPROXIMATELY LOCATED AND ORIENTED AS SHOWN IN THE VIEWS.

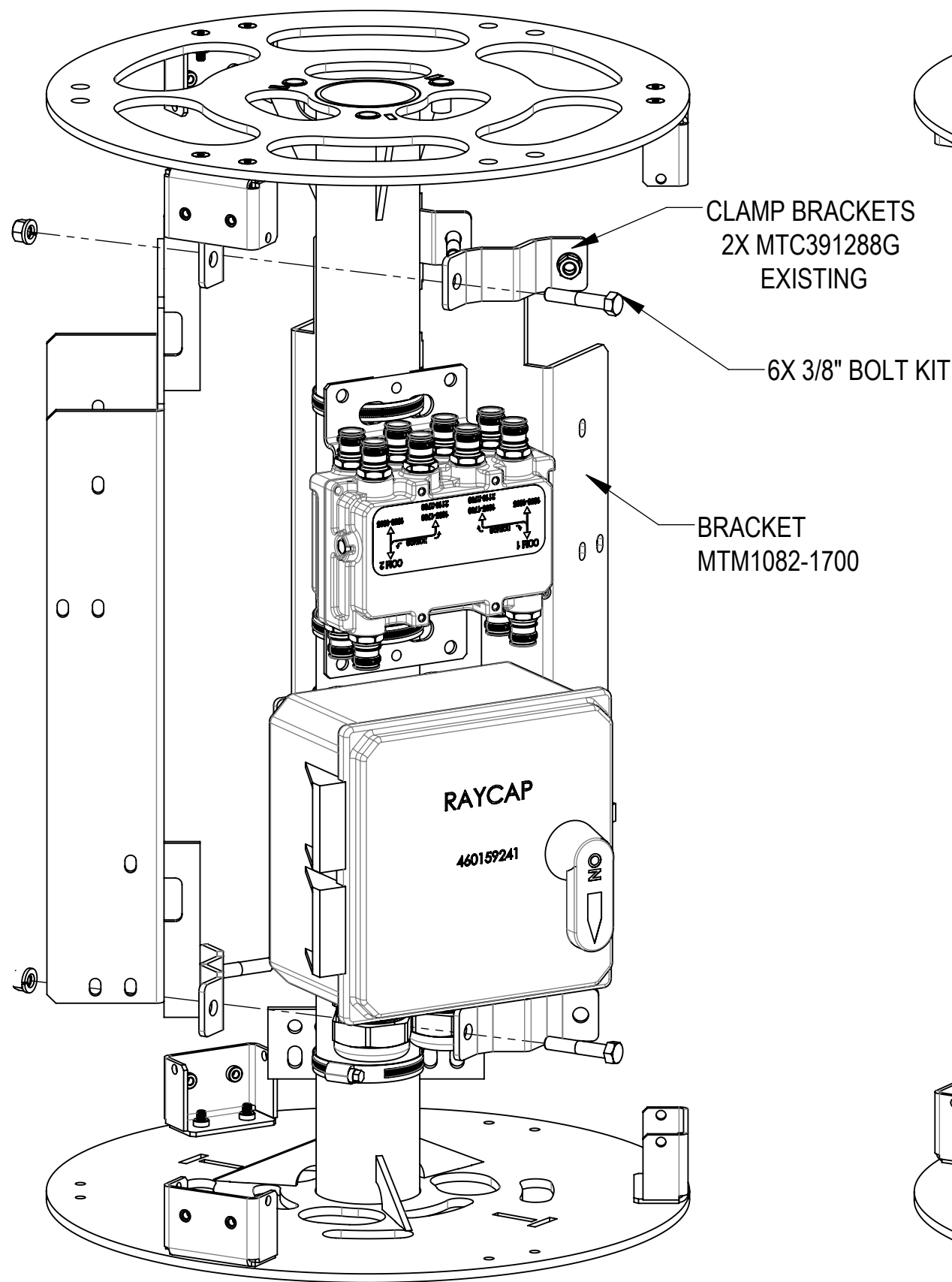
RAYCAP

INSTALL THE RAYCAP TO MOUNTING BRACKET MTC391285 USING 4X 1/4" BOLTS, LOCK WASHERS.

INSTALL TO THE POLETOP WELDMENT USING 2X ROUND CLAMPS. RAYCAP SHOULD BE APPROXIMATELY LOCATED AND ORIENTED AS SHOWN IN THE VIEWS.

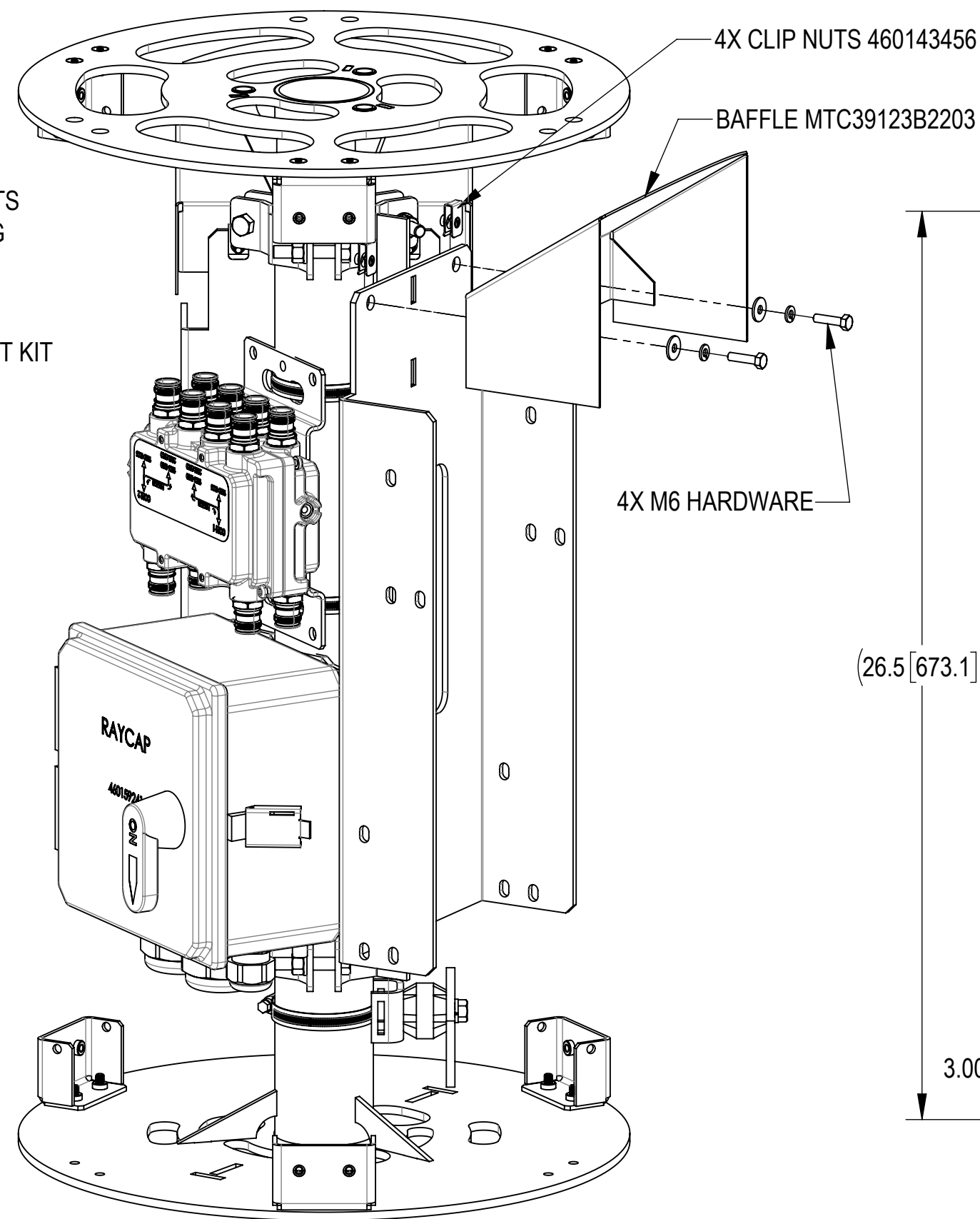
COMMSCOPE, INC. OF NORTH CAROLINA			
TITLE PT18, RETRO, ERICSSON 220x/440x			
SIZE C	SCALE 1:8	DOCUMENT NO. 860664823-AMK-004	
DRAWING			SHEET
VERSION 00	STATUS RE	REVISION A	3 OF 4

4X ERC 220X OR 440X INSTALLATION



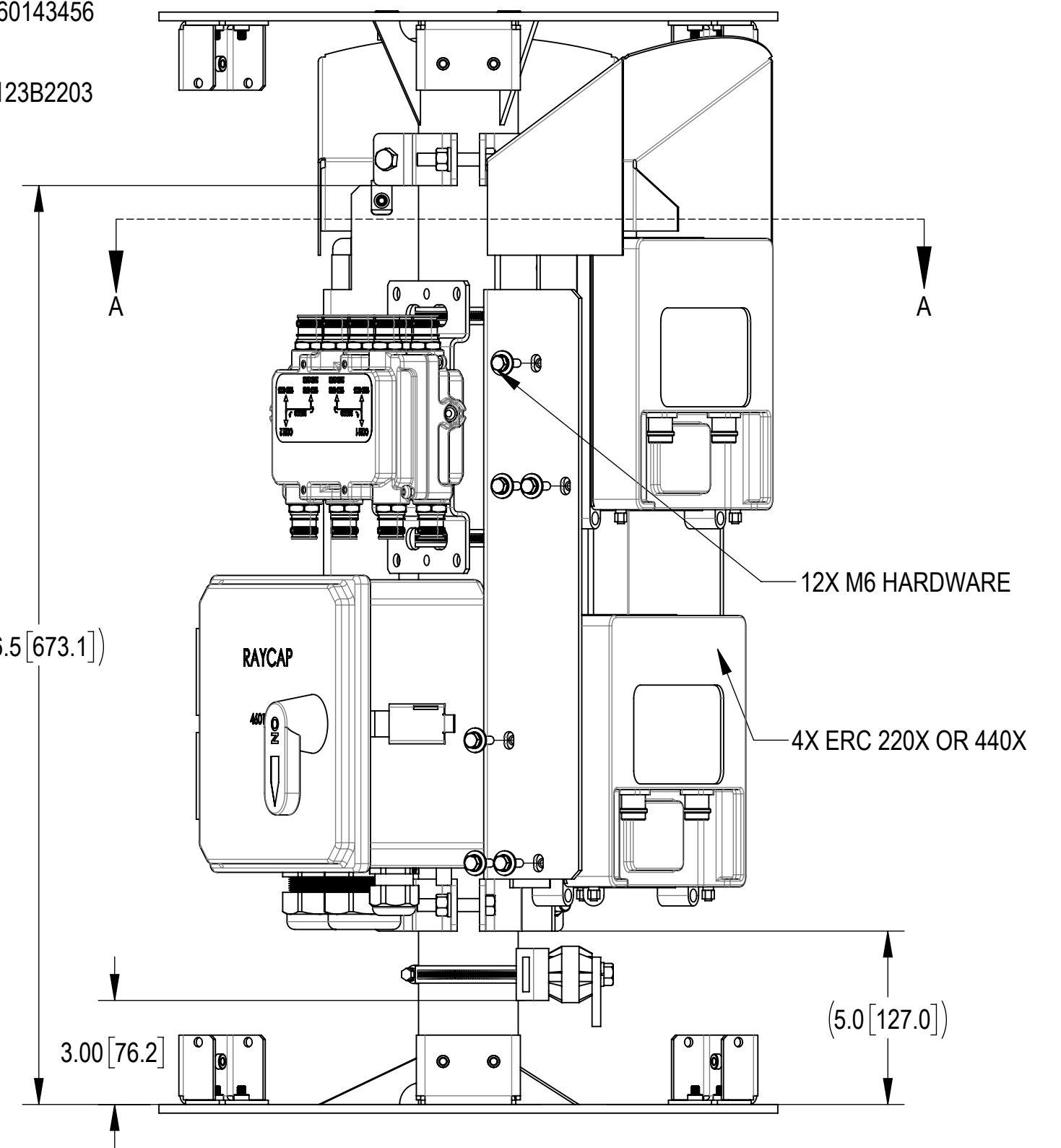
STEP 5

INSTALL 2 SETS OF CLAMP BRACKETS MTC391288G AND WELDMENT MOUNT BRACKETS MTM1082-1700 USING 6X 3/8" BOLT KIT. THE BRACKETS SHOULD BE APPROXIMATELY LOCATED AS SHOWN IN THE VIEWS.



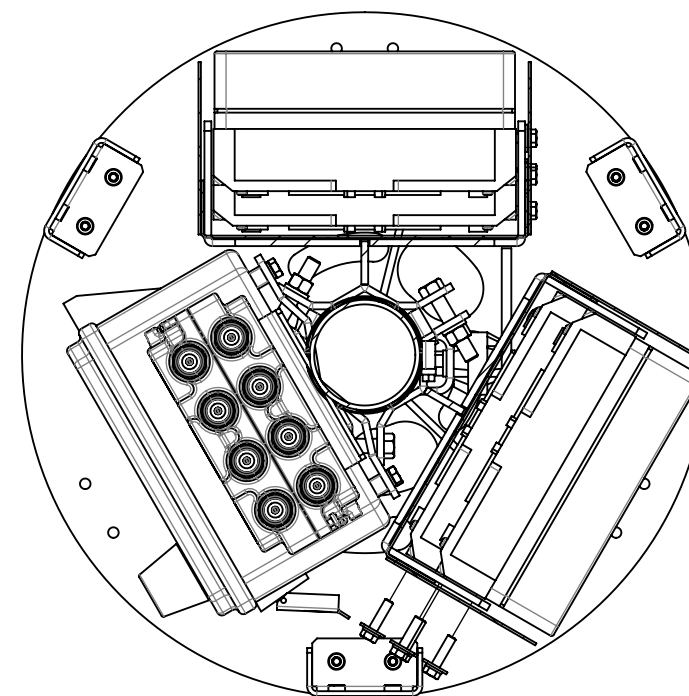
STEP 6

INSTALL 2 SETS OF BAFFLES USING 4X M6 CLIP NUTS, BLOTS, LOCK WASHERS AND FLAT WASHERS.



STEP 7

INSTALL THE 4X ERC 220X OR 440X RADIOS USING 12X M6 BOLTS, LOCK WASHERS AND FLAT WASHERS



SECTION A-A

© 2024 CommScope, Inc. Confidential

COMMSCOPE, INC. OF NORTH CAROLINA				
TITLE PT18, RETRO, ERICSSON 220x/440x				
SIZE C	SCALE 1:8	DOCUMENT NO. 860664823-AMK-004		
		DRAWING		SHEET
		VERSION	STATUS	REVISION
		00	RE	A
				4 OF 4